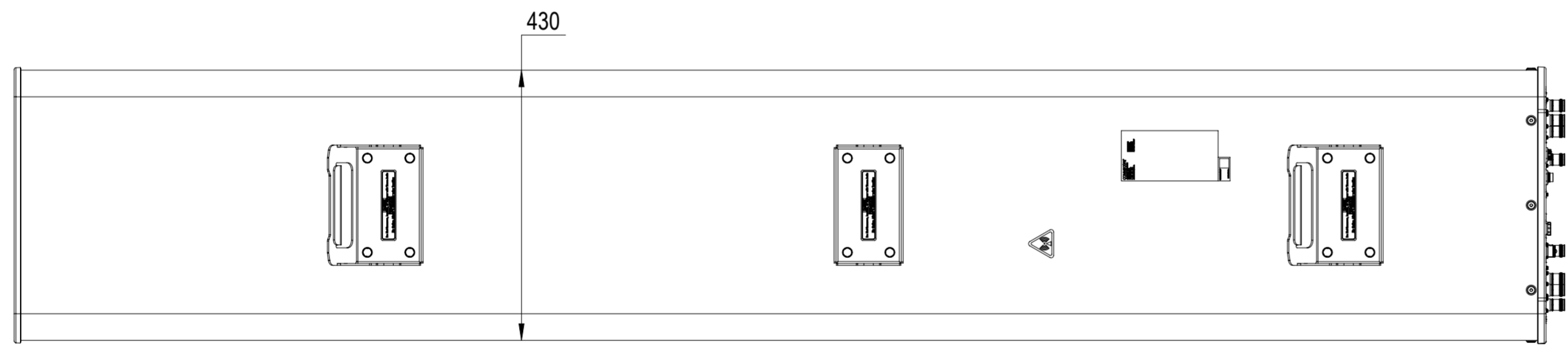
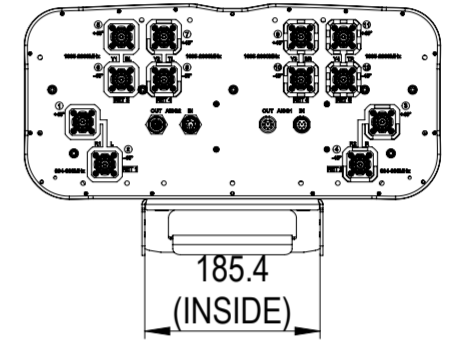
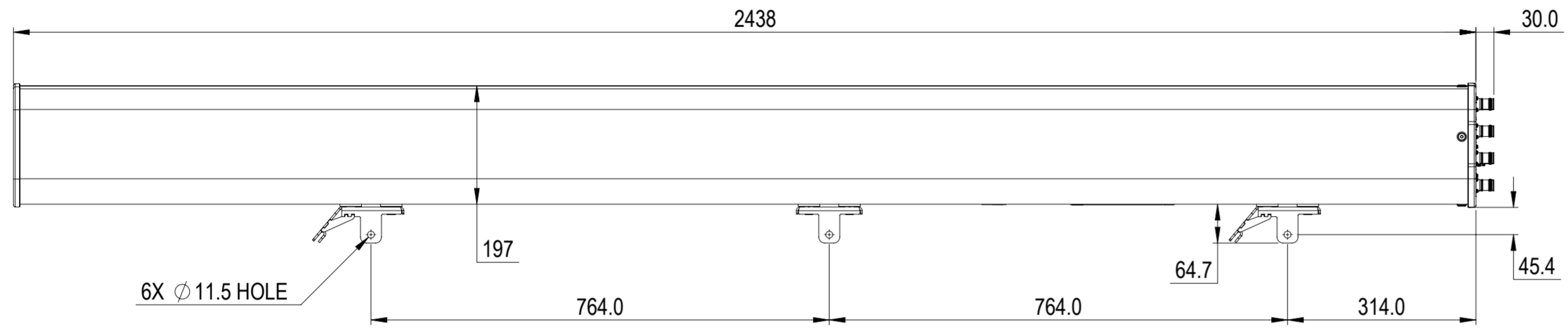


REVISION
C



NNH4-65C-R6N17