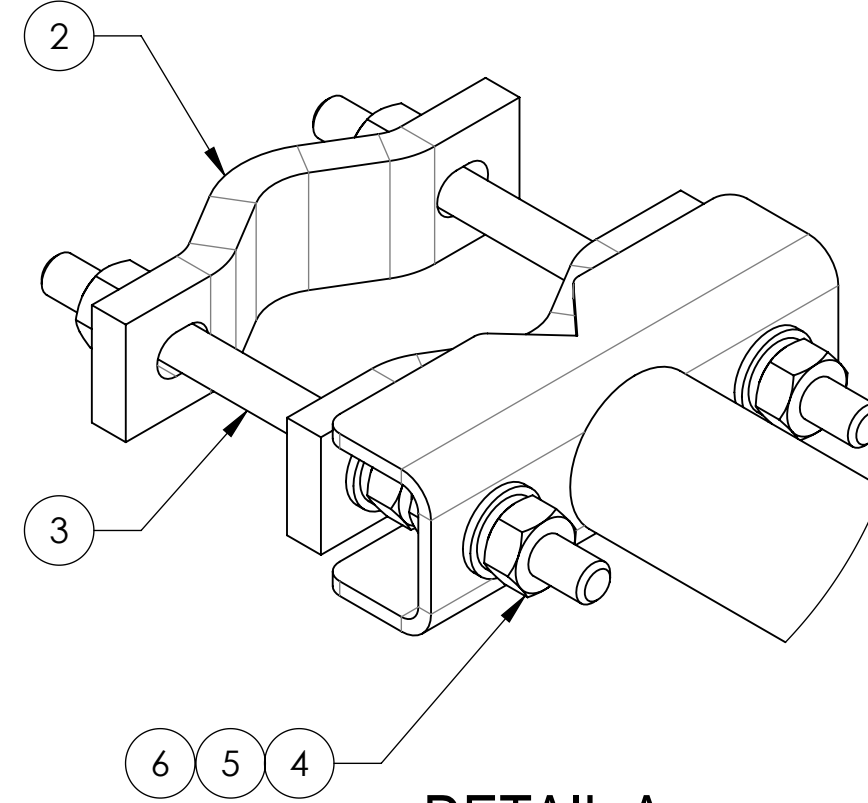
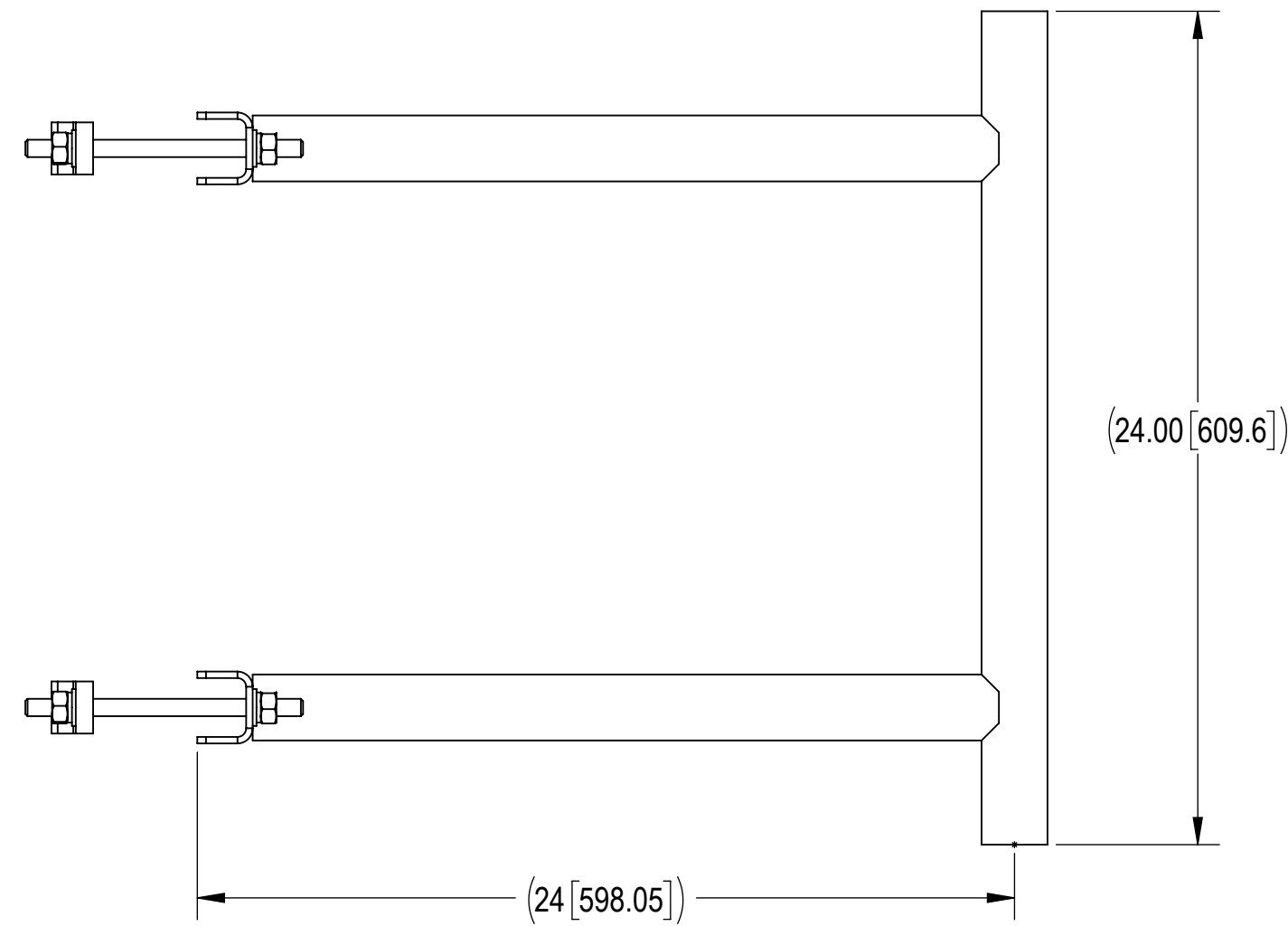


- 1.0 GENERAL NOTES
 - 1.1 ALL METRIC DIMENSIONS ARE IN BRACKETS [X. X]
 - 1.2 FOR PATENT INFO: <https://www.cs-pat.com>
- 2.0 DESIGN NOTES
 - 2.1 FITS \varnothing 1-1/2" O.D. TO \varnothing 3-1/2" O.D. ROUND TOWER LEGS.
 - 2.2 ADDITIONAL CLAMP SETS THAT ADAPT TO LARGER ROUND LEGS, ANGLE LEGS, OR TAPERED MEMBERS MAY BE PURCHASED SEPARATELY.
- 3.0 MANUFACTURING/SPECIAL REQUIREMENTS
 - 3.1 TIGHTEN ALL BOLTS SECURING FLAT PLATES BY THE TURN-OF-NUT METHOD. TIGHTEN ALL U-BOLTS USING TURN-OF-NUT METHOD WITH ATTENTION TO LEAVE EQUAL DISTANCE AND EQUAL FORCE ON EACH LEG OF THE U-BOLT.
- 4.0 TEST
- 5.0 PACKAGING
 - 5.1 PACKAGING SHALL MEET COMMSCOPE REQUIREMENTS PER DOCUMENT IS-PL-3005
 - 5.2 PRINTED DOCUMENT TO BE PLACED INSIDE POLYBAG AND THEN IN SHIPPING CONTAINER
 - 5.3 EXTRA HARDWARE MAY BE SUPPLIED, BAGGED AND SHIPPED

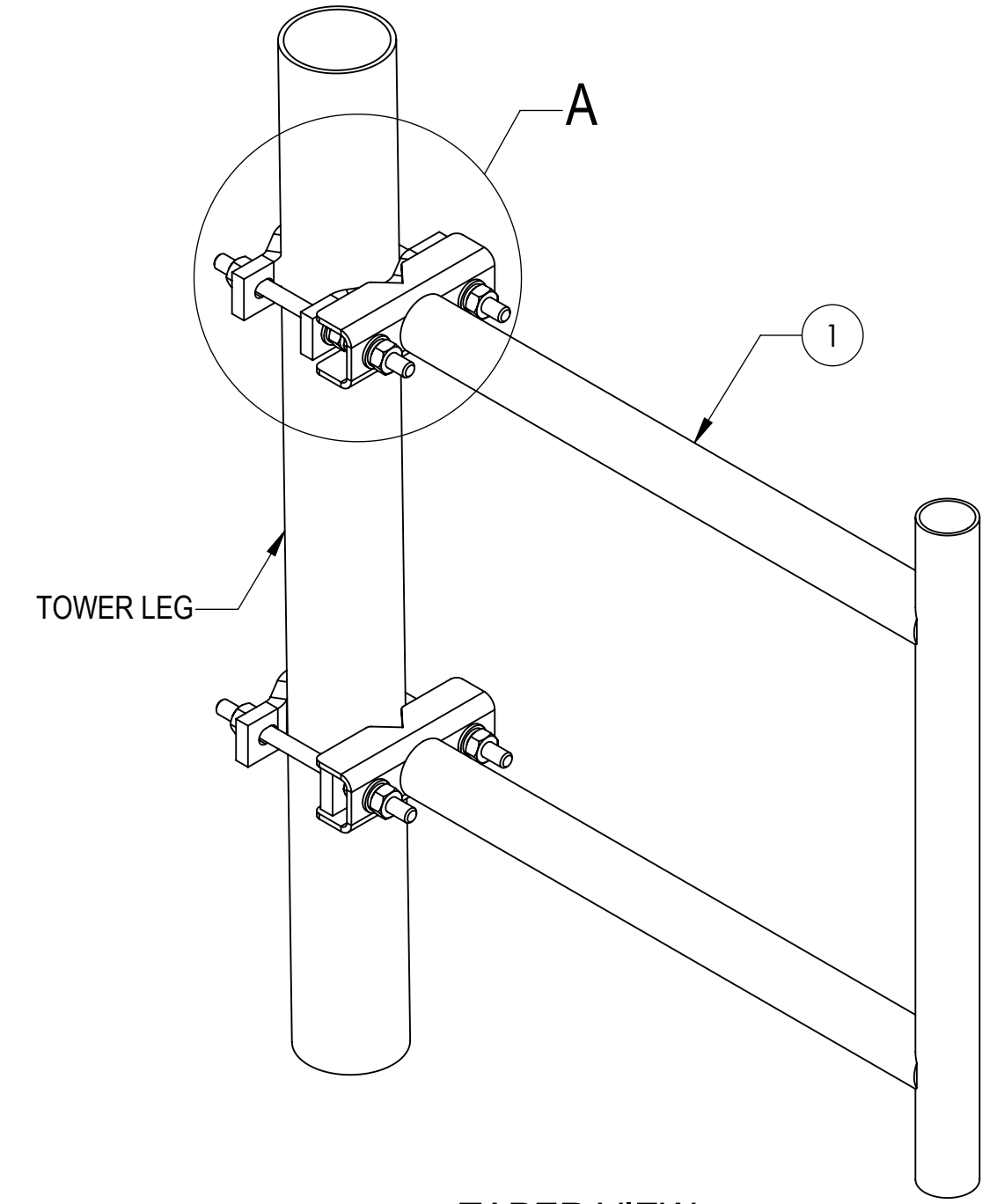
REVISIONS			
REV.	DESCRIPTION	DATE	APPROVED
A	INITIAL RELEASE	ACG 04/05/05	
B	ADDED TAPER KIT	ACG 08/18/06	
C	UPDATED DRAWING TO NEW FORMAT; DELETED MT-379-6; CHANGED MT-379-8 QTY FROM 2 TO 4 EA.	RY1002 24JUL24	BCROSS 40199885CMO



DETAIL A
SCALE 1:2



STRAIGHT LEG VIEW



TAPER VIEW

COMPONENT PART NUMBERS PROVIDED FOR ASSEMBLY PURPOSES;
INDIVIDUAL COMPONENTS MAY BE SHIPPED AS PARTS WITHIN AN INCLUDED KIT.

ITEM	PART NO.	DESCRIPTION	QTY.	WEIGHT	NOTE NO.
1	S20001	24" STANDOFF WELDMENT	1	15.33 LBS	
2	SCP10	CLAMP HALF: 1/2", 9/16" HOLE, 4-1/8" (EA)	4	1.20 LBS	
3	MT-379-8	1/2" X 8" GALV THREADED ROD	4	0.44 LBS	
4	GN-04A	1/2" GALV HEX NUT (A194 2H)	14	0.07 LBS	
5	GWL-04	1/2" GALV LOCK WASHER	14	0.01 LBS	
6	GWF04A	1/2" GALV FLAT WASHER (A325)	14	0.02 LBS	

DENSITY		lbs/in ³
MASS	40.96	lbs
VOLUME	144.58	in ³
SURFACE AREA	1861.53	in ²
HEIGHT	24.0"	
LENGTH	24.5"	
WIDTH	6.0"	

© 2024 CommScope, Inc. Confidential

COMMSCOPE, INC. OF NORTH CAROLINA												
TOLERANCES						SAP MATERIAL MASTER						
1 PLACE .X[X] ± 0.06[1.5]			3 PLACE .XXX[X] ± 0.010[0.25]			S-200						
2 PLACE .XX[X] ± 0.03[0.8]			ANGLES ± 2°									
FINISH						MATERIAL						
UNLESS OTHERWISE SPECIFIED DIMENSIONS ARE IN INCHES INTERPRET PER ANSI Y 14.5M-1994	NAME		DATE		TITLE							
	CE	ACG	04/05/05		BRACKET, 24" STAND-OFF							
	RW	RY1002	07/24/2024									
	AD	YMENG	07/28/2024		SCALE		DOCUMENT NO.					
	RE	RY1002	09/13/2024		1:5		S-200					
ECN 40199885CMO												
SIZE		Auth Group		INSL		MODEL			DRAWING			SHEET 1 OF 1
C												
						VERSION		STATUS		REVISION		
						01		RE		F		
						VERSION		STATUS		REVISION		
						01		RE		C		