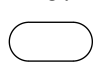
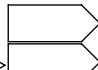
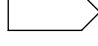
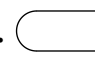


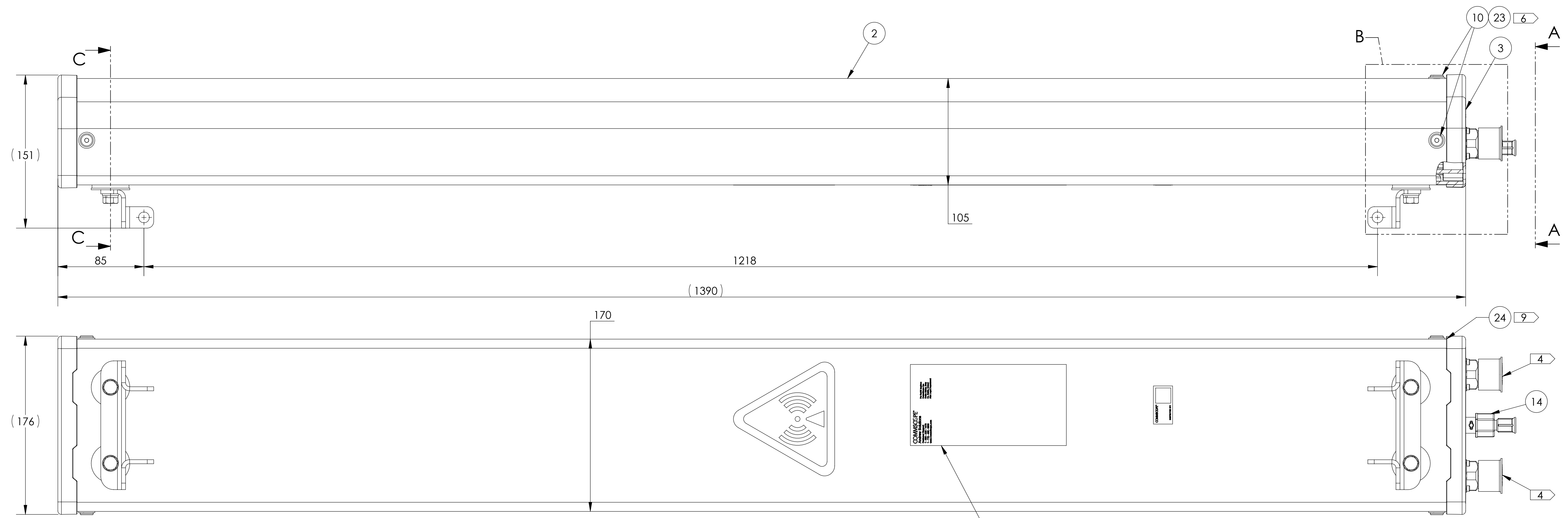
8 7 6 5 4 3 2 1

REVISION
G

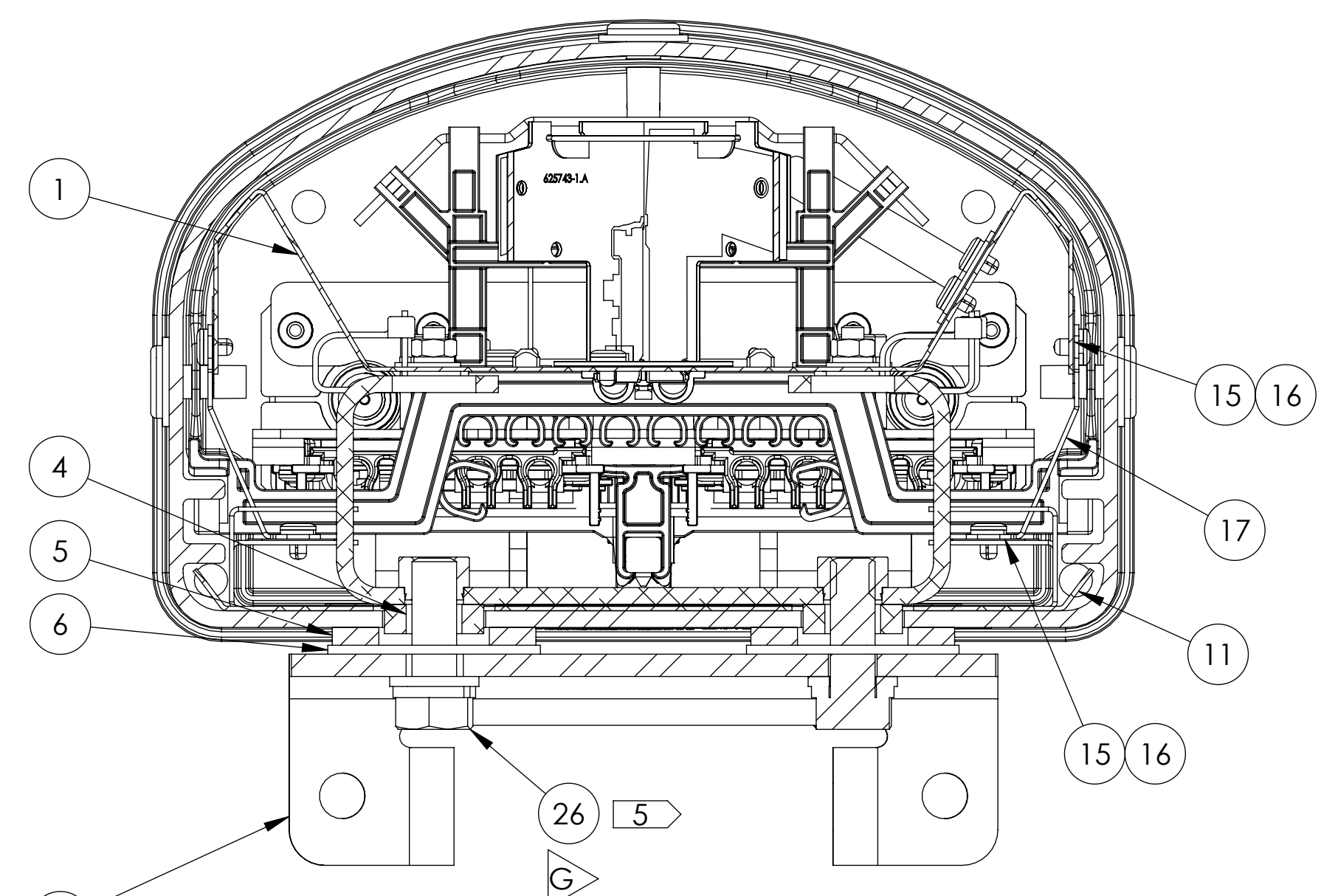
NOTES:




8. TORQUE ALL FASTENERS ACCORDING TO TORQUE SPEC DRAWING 090323-000 UNLESS OTHERWISE SPECIFIED.
9. AFTER ANTENNA IS FULLY ASSEMBLED, APPLY RTV (ITEM 24) TO THE GAP BETWEEN THE RADOME AND BOTTOM END CAP (ITEM 3) UNIFORMLY ALL AROUND. QUANTITY SHOULD NOT BE LESS THAN 10 GRAMS.
10. INSTALL MOUNTING BRACKETS PER BSA-OP-3031 TO ENSURE RADOME, INTERNAL CORE ASSEMBLY, AND EXTERNAL BRACKETS ARE PROPERLY ALIGNED.
11.  - DENOTES CRITICAL DIMENSION, NOTE, TEXT.

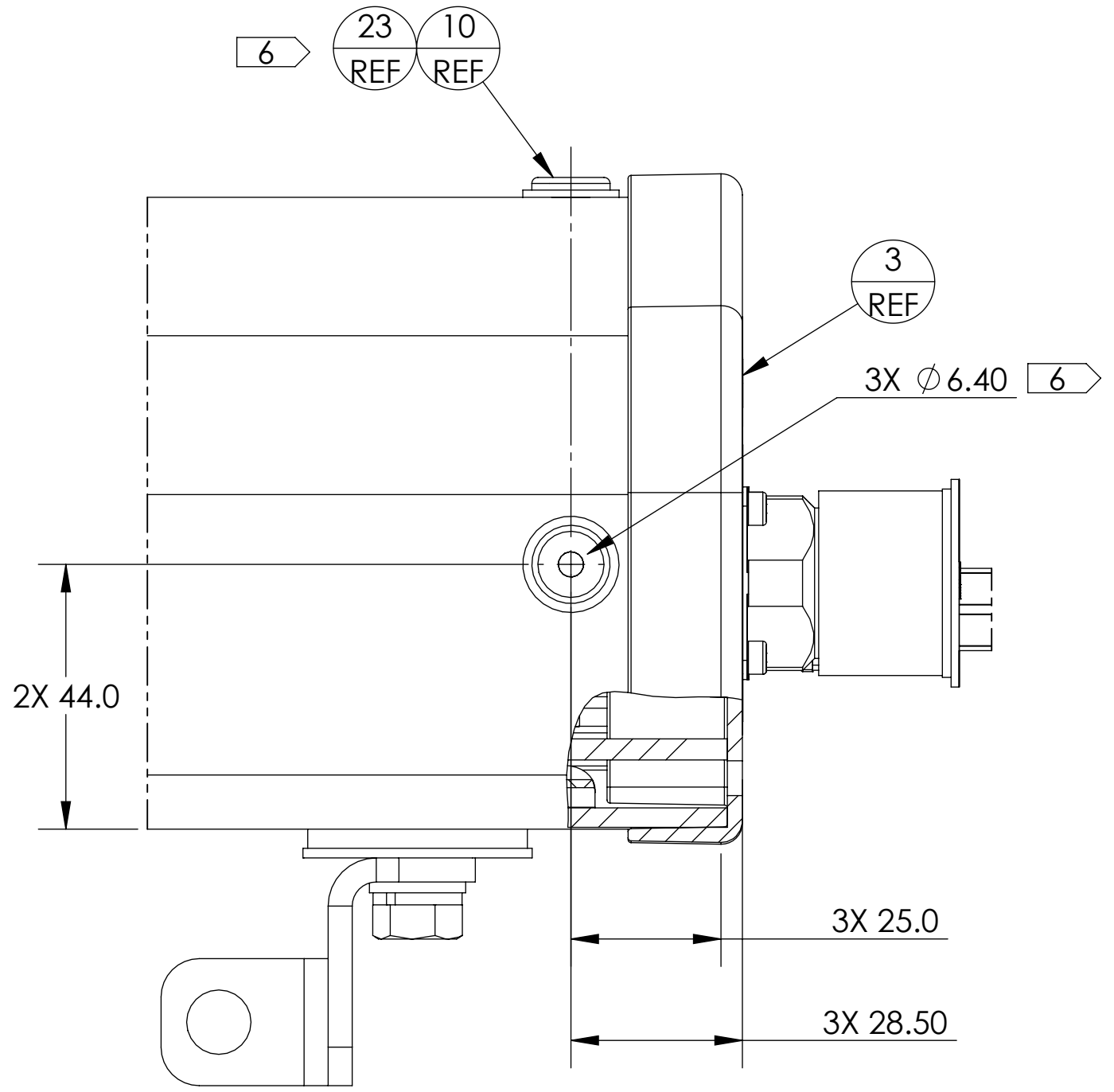
THIRD ANGLE PROJECTION



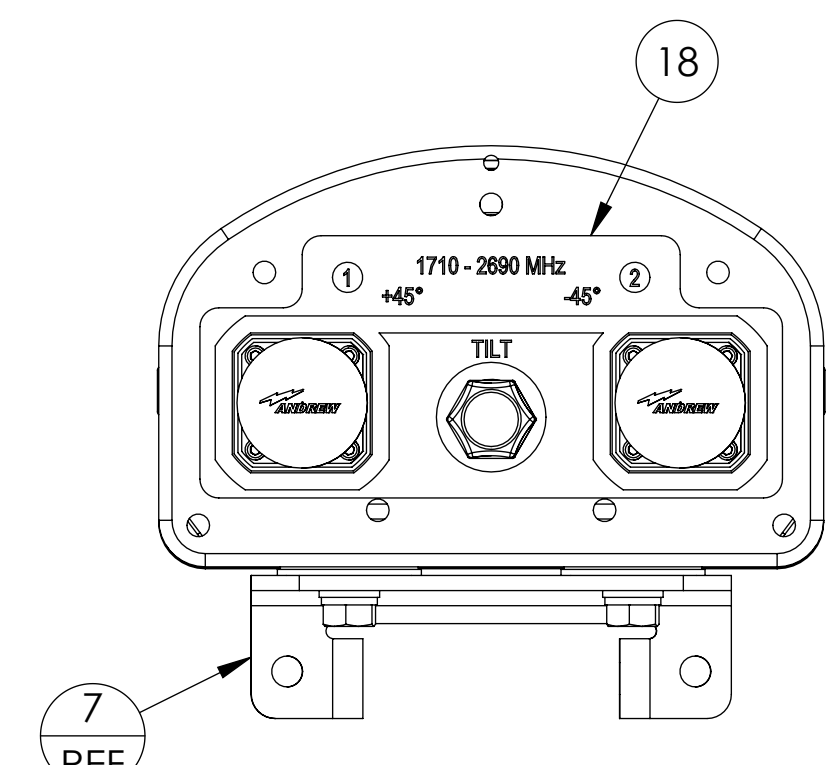
HWX-6516DS1-VTM
 HWX-6516DS1T-VTM
 SCALE 1 : 2



SECTION C-C
 SCALE 1 : 1



DETAIL B
 SCALE 1 : 1



VIEW A-A
 SCALE 1 : 2

CONFIDENTIAL

8 7 6 5 4 3 2 1

THIRD ANGLE PROJECTION