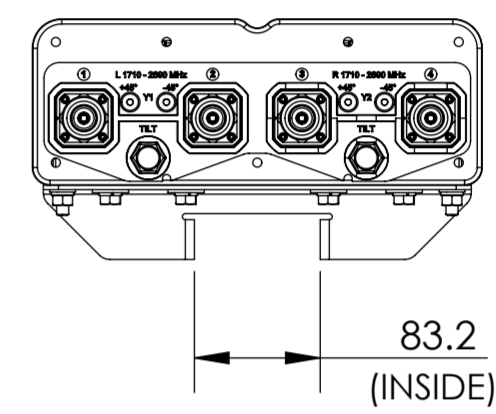
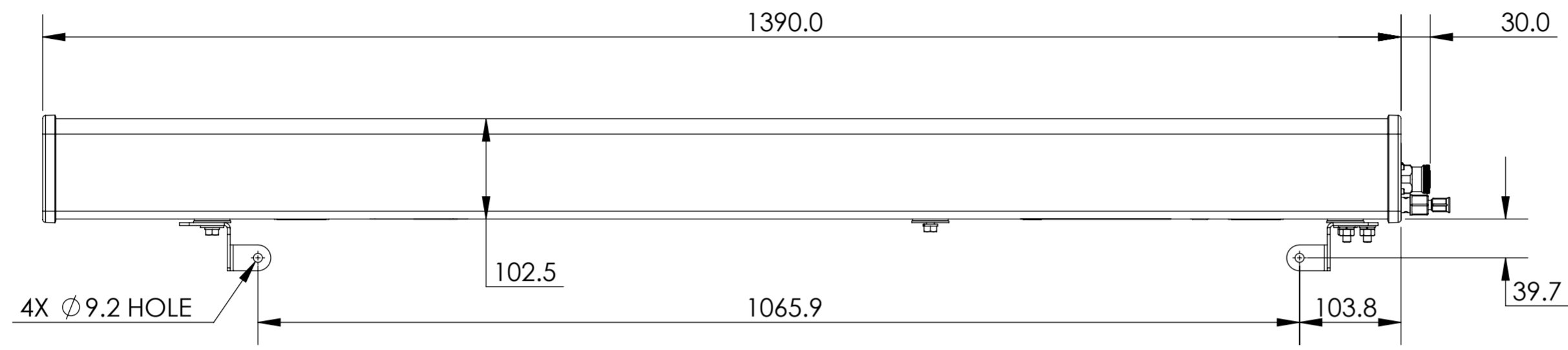


NOTES:

REVISION
B

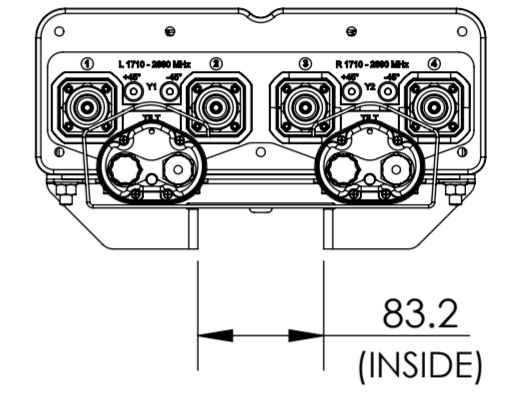
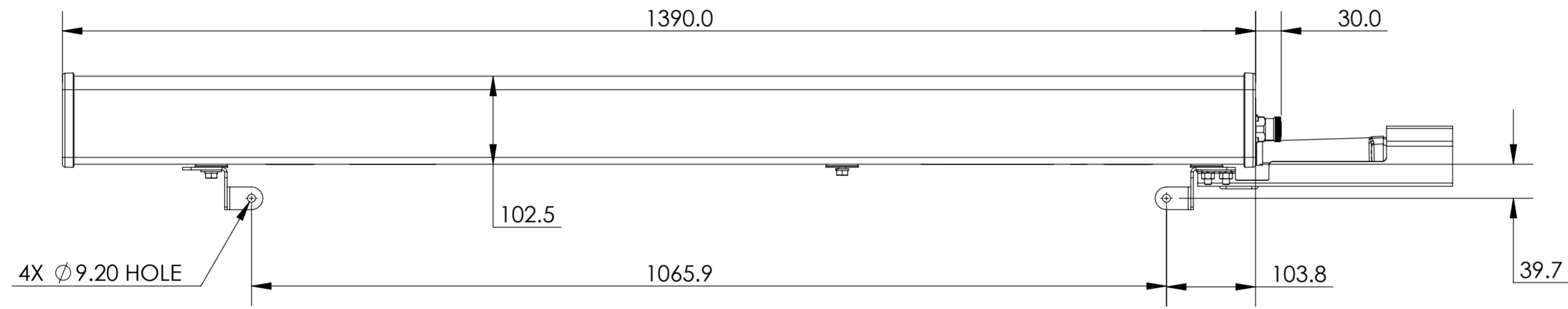


HWXX-6516DS2-VTM

©

© 2015 CommScope, LLC. All rights reserved.

NOTES:



HWXX-6516DS2-A2M