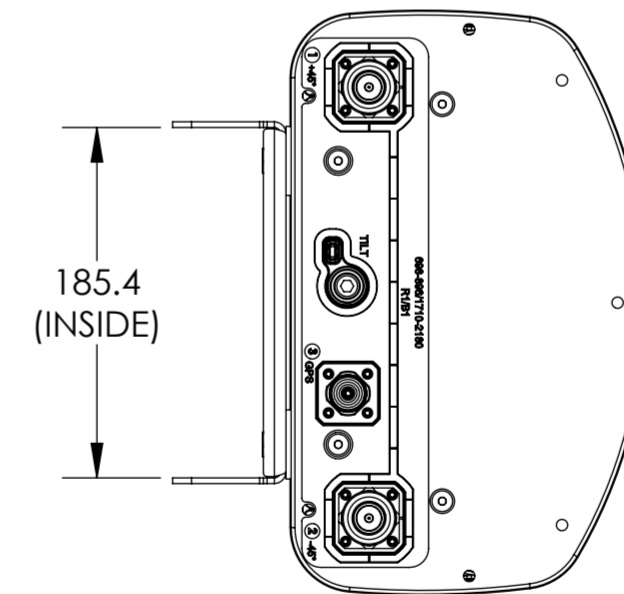
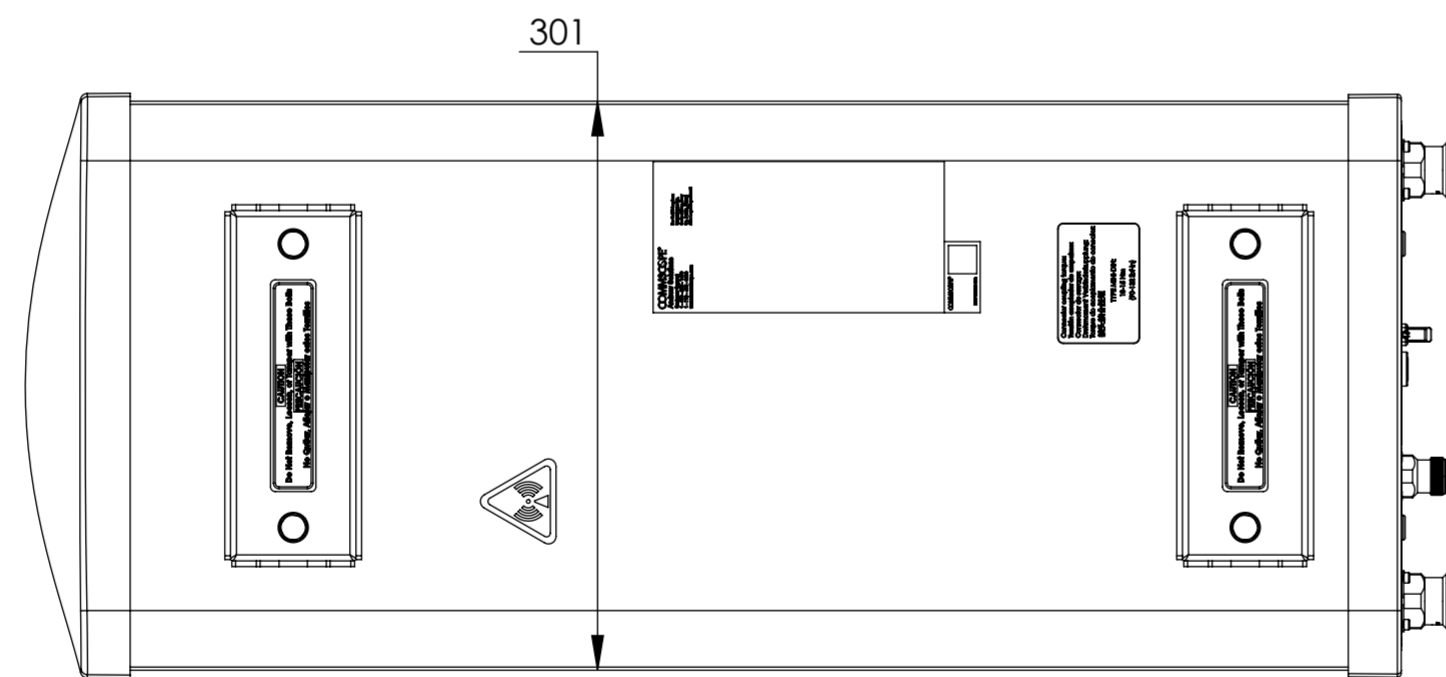
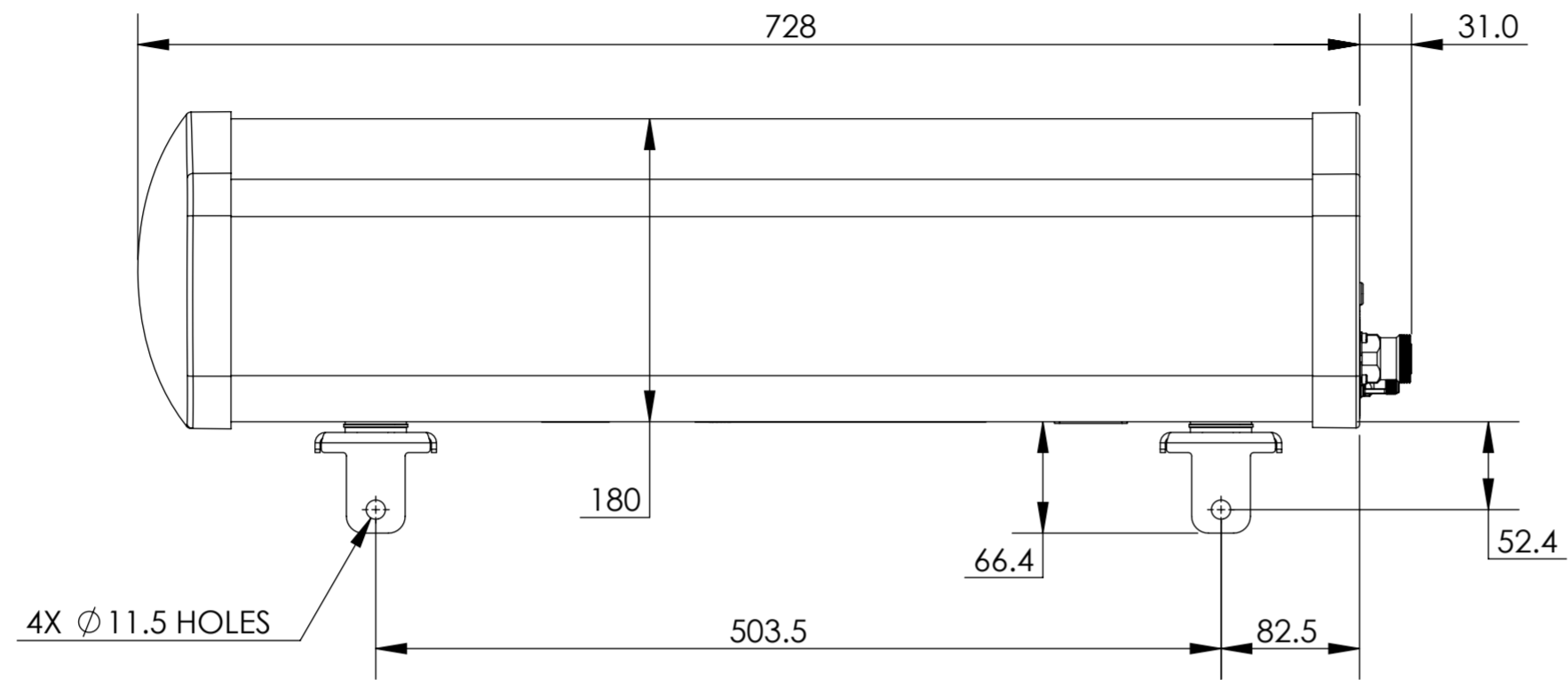


NOTES:

REVISION

D



NH65S-DG-F0M