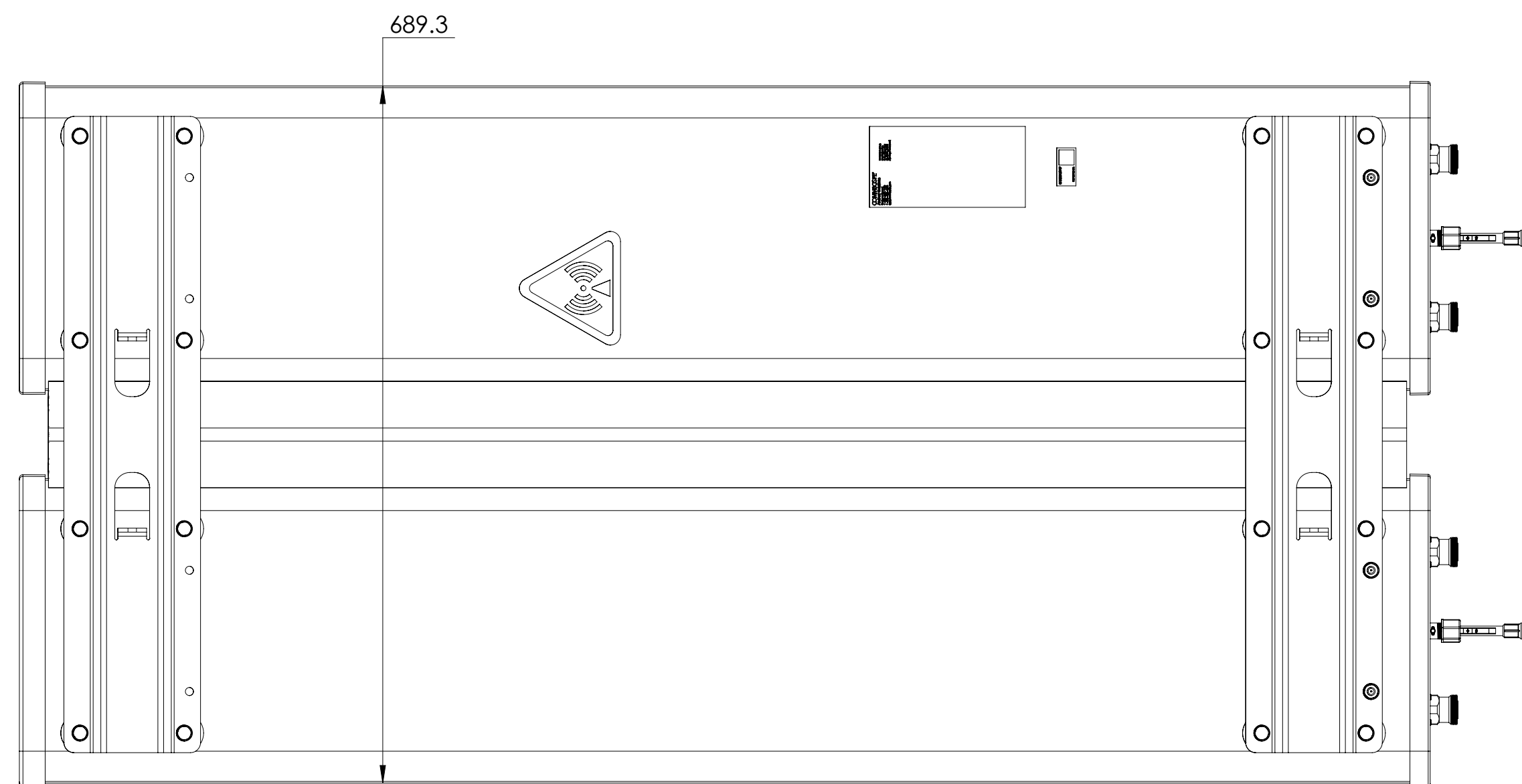
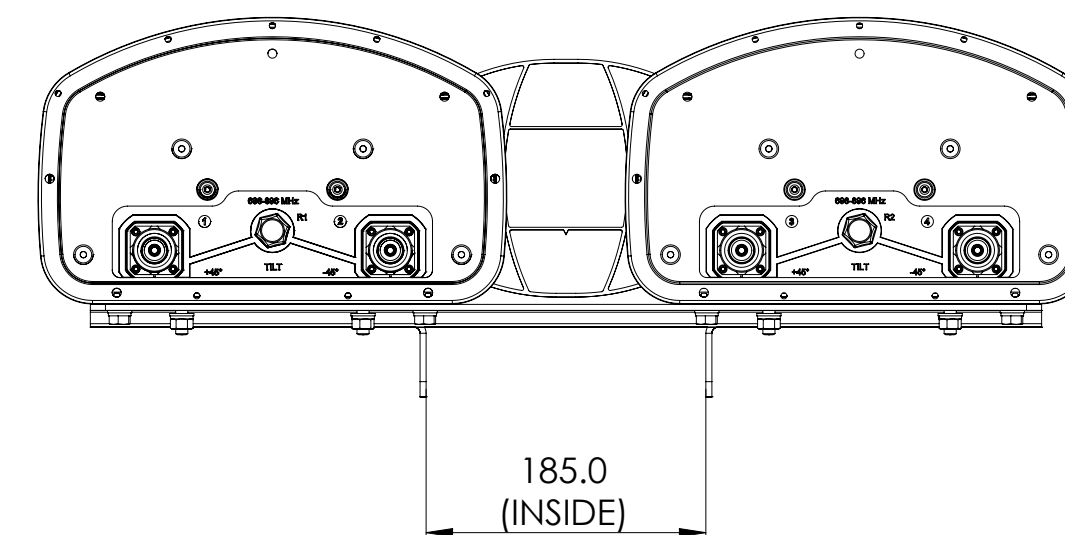
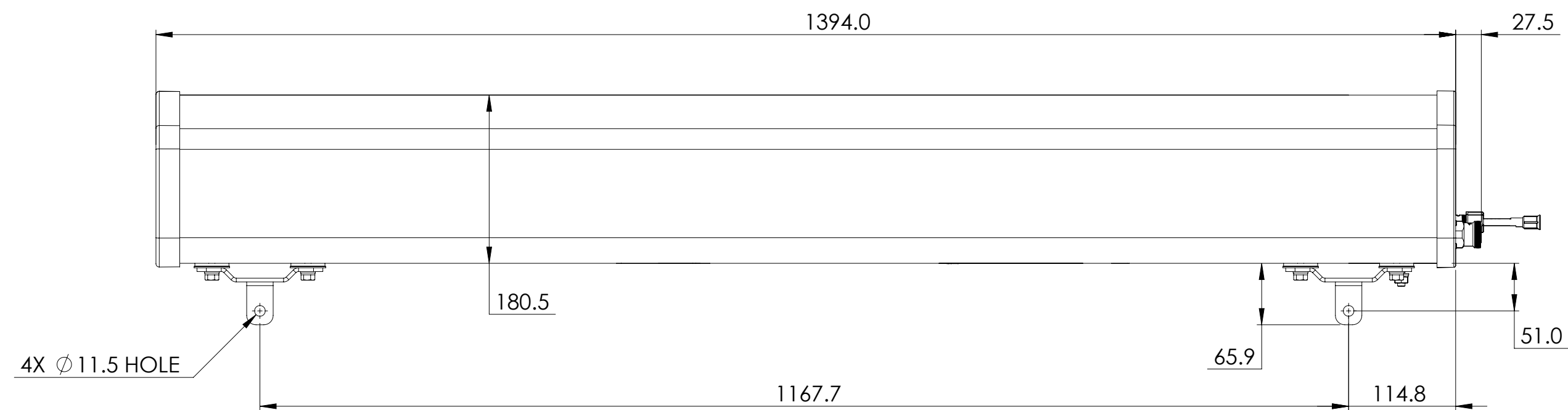


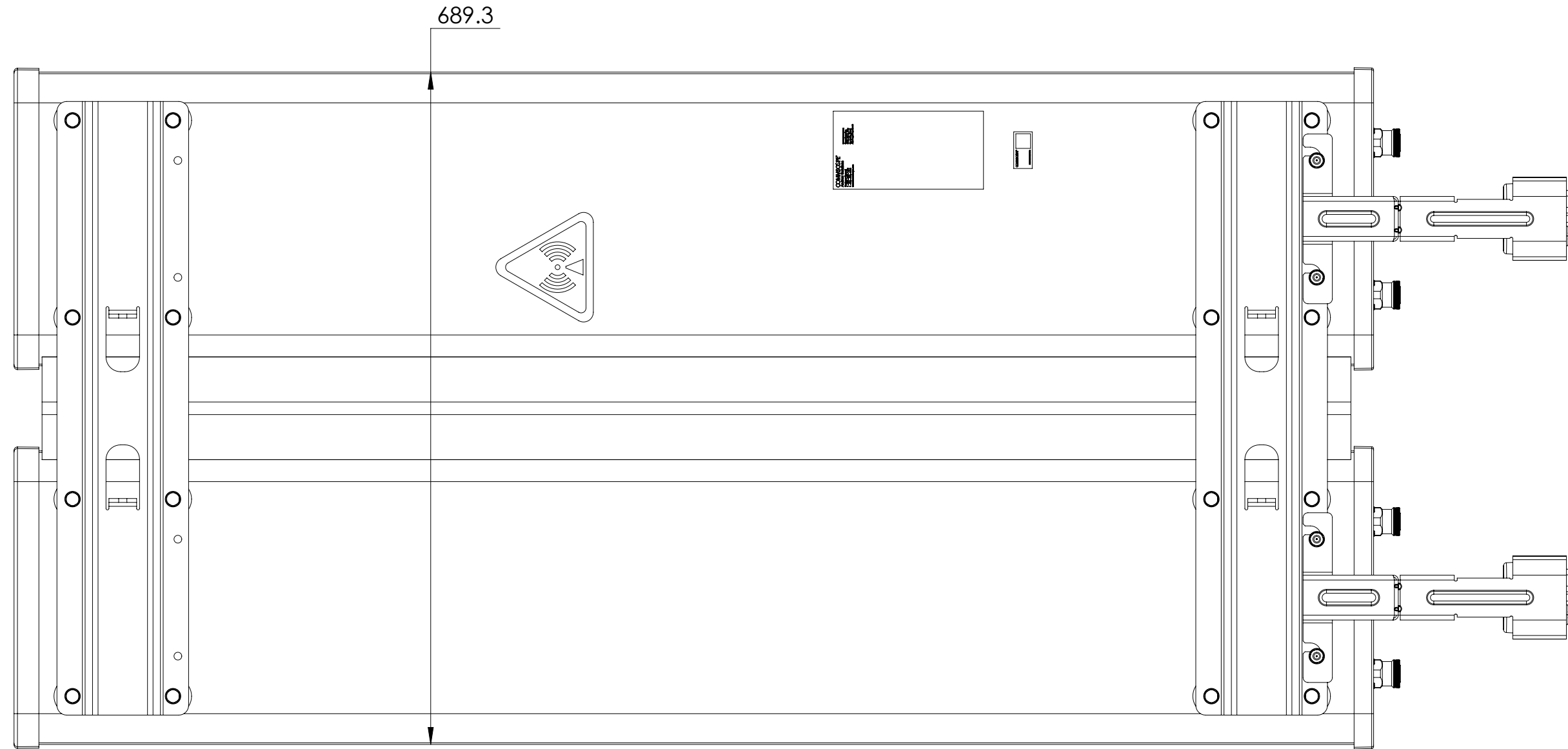
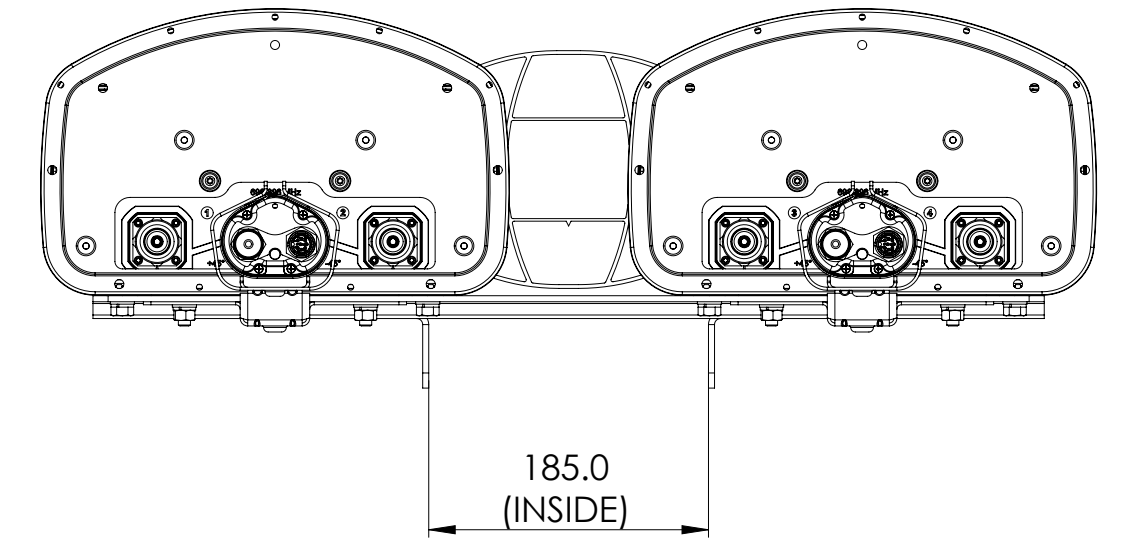
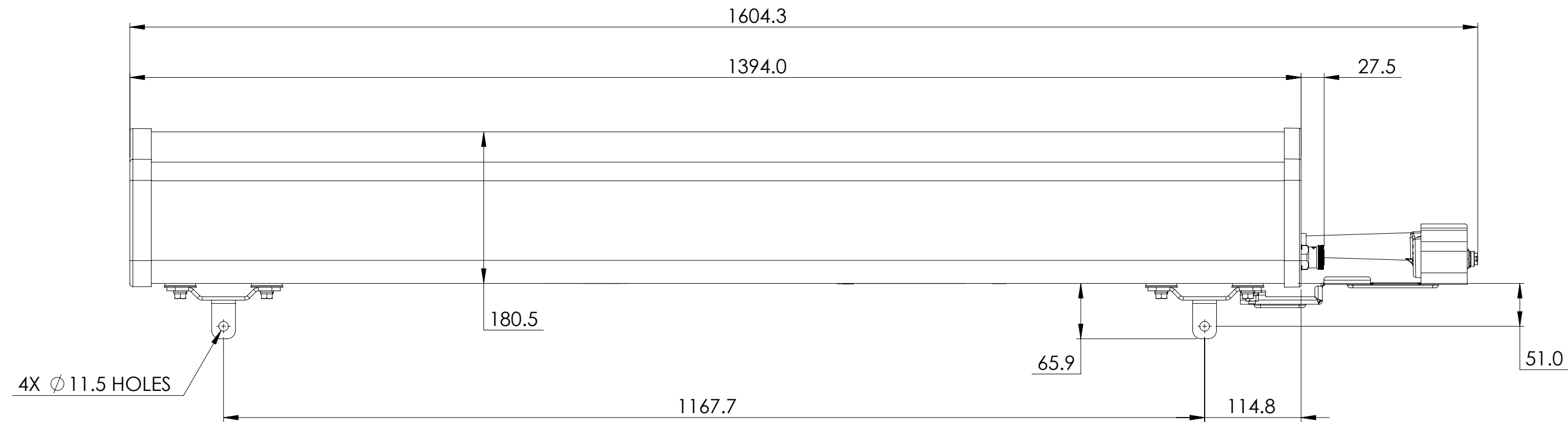
NOTES:

REVISION

D



NN-65A-M



NN-65A-R2