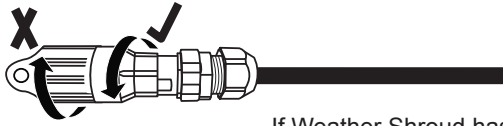


## FA-FWS-E-1 and FA-FWS-E-1C Weather Shroud Installation for HELIAX® FiberFeed® Solutions

Bulletin 7699355 Revision E Page 1 of 2

CommScope Infrastructure Academy offers installation training.



If Weather Shroud has a pre-installed end cap, carefully remove end cap by holding it stationary and turning the top nut counter-clock wise.



Scan to view installation video

**1**

Carefully feed compression nut over DLC connector and slide onto jacketing.  
**Do not twist or bend the DLC connector or fiber. Excessive force or bending may break the fiber.**

**2**

Carefully feed weather shroud body over DLC connector.

**3**

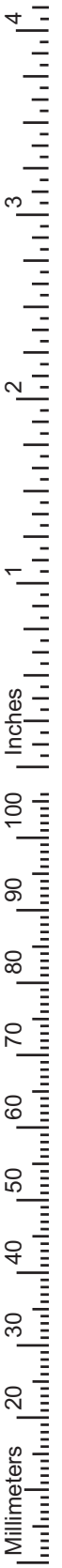
Wrap the rubber split grommet around the jacketing with the stepped end towards shroud body. Push gasket into the clamping tynes. Approximately 0.9 mm will protrude from the tynes when fully installed.

**4**

Engage the compression nut one full revolution to keep the grommet in place but **do not tighten** fully to allow for adjustment during RRU connection.

**5**

Slide weather shroud down jacketing to allow full access to the DLC connector during the RRU connection.



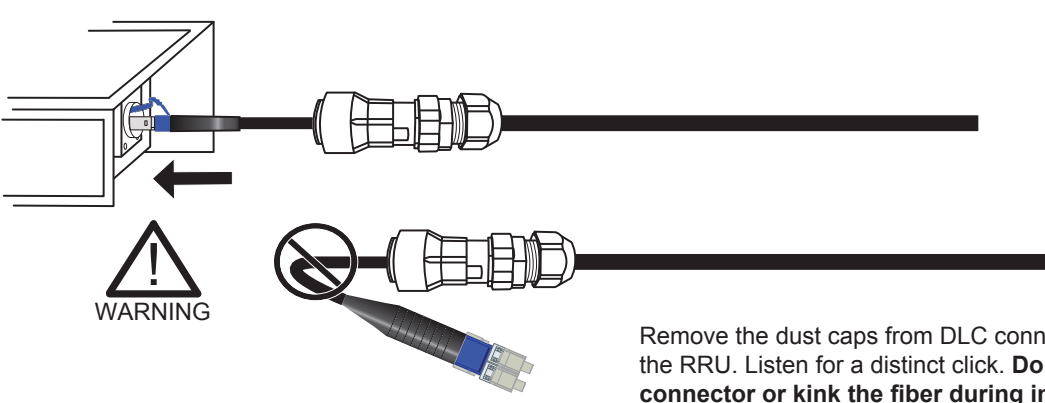
## FA-FWS-E-1 and FA-FWS-E-1C Weather Shroud Installation

for HELIAX® FiberFeed® Solutions

Bulletin 7699355 Revision E Page 2 of 2

CommScope Infrastructure Academy offers installation training.

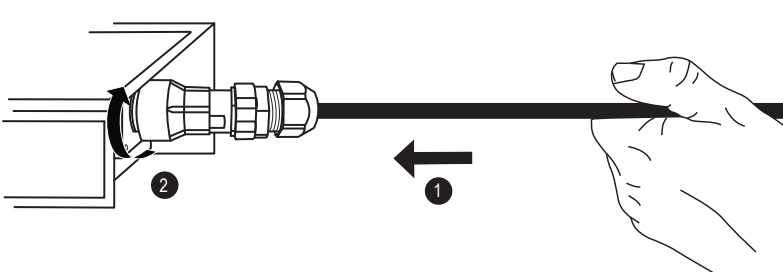
**6**



**WARNING**

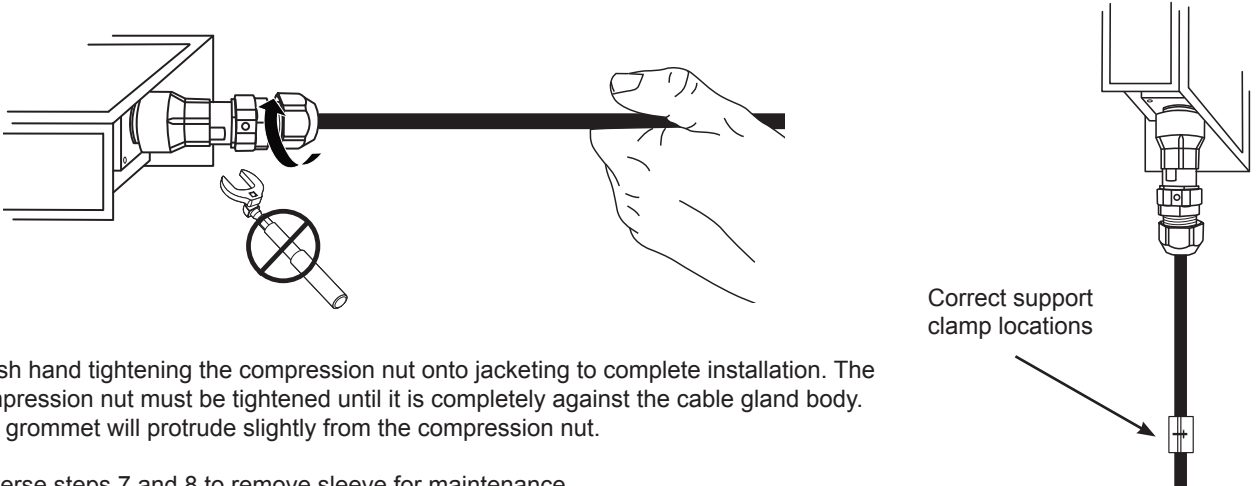
Remove the dust caps from DLC connector and seat into the RRU. Listen for a distinct click. **Do not twist DLC connector or kink the fiber during installation.**

**7**



Slide the weather shroud up to the RRU. **1** Turn top nut clockwise to secure to RRU bulkhead connector. **2**

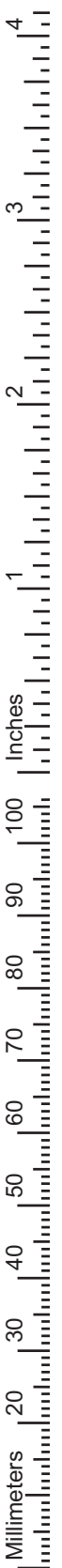
**8**



Finish hand tightening the compression nut onto jacketing to complete installation. The compression nut must be tightened until it is completely against the cable gland body. The grommet will protrude slightly from the compression nut.

Reverse steps 7 and 8 to remove sleeve for maintenance.

Correct support clamp locations



**CommScope**  
 1100 CommScope Place SE P.O. Box 339, Hickory, NC 28603-0339  
 (828) 324-2200 (800) 982-1708  
 www.commscope.com

**Customer Service 24 hours**  
 North America: +1-800-255-1479 (toll free)  
 Any country: +1-779-435-6500  
 email: acicustomersupportcenter@commscope.com

Notice: CommScope disclaims any liability or responsibility for the results of improper or unsafe installation, inspection, maintenance, or removal practices.  
 Aviso: CommScope no acepta ninguna obligación ni responsabilidad como resultado de prácticas incorrectas o peligrosas de instalación, inspección, mantenimiento o retiro.  
 Avis : CommScope décline toute responsabilité pour les conséquences de procédures d'installation, d'inspection, d'entretien ou de retrait incorrectes ou dangereuses.  
 Hinweis: CommScope lehnt jede Haftung oder Verantwortung für Schäden ab, die aufgrund unsachgemäßer Installation, Überprüfung, Wartung oder Demontage auftreten.  
 Atenção: A CommScope abdica do direito de toda responsabilidade pelos resultados de práticas inadequadas e sem segurança de instalação, inspeção, manutenção ou remoção.  
 Avvertenza: CommScope declina eventuali responsabilità derivanti dall'esecuzione di procedure di installazione, ispezione, manutenzione e smontaggio improprie o poco sicure.  
 注意: CommScope 公司申明對於不恰當或不安全的安裝、檢驗、維修或拆卸操作所導致的後果不負責任 何義務和責任