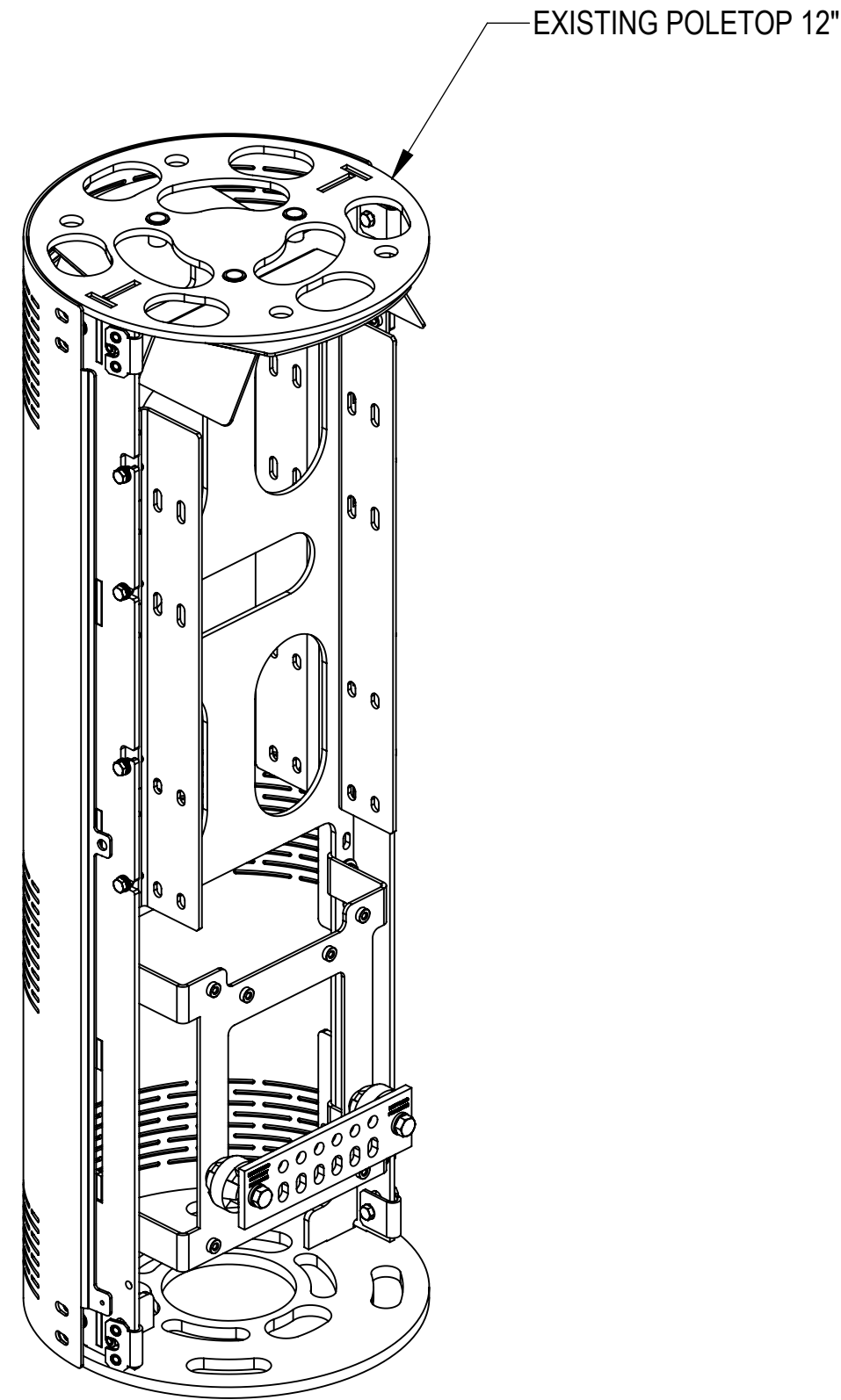


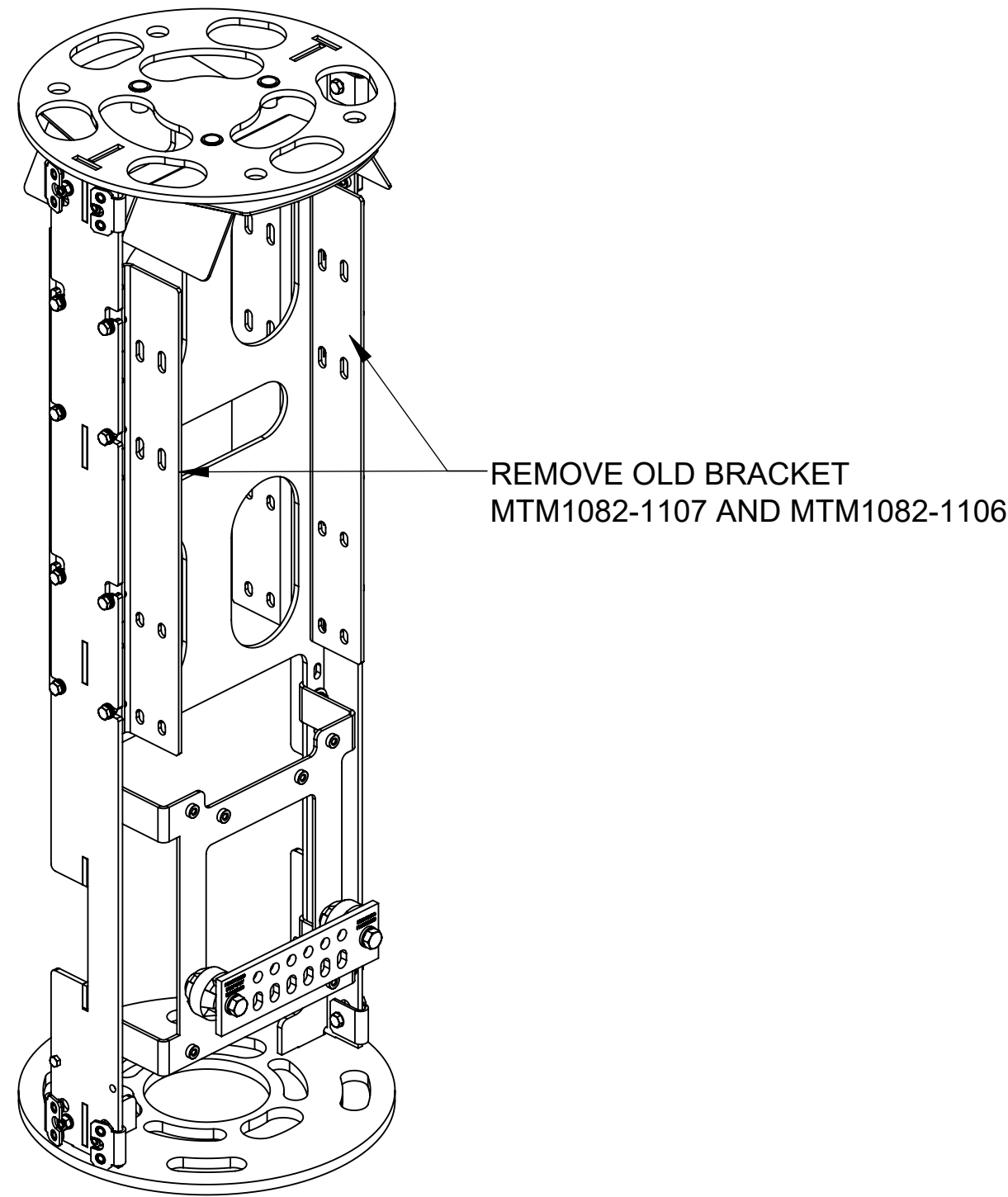
- 1.0 GENERAL NOTES
 - 1.1 NO TOLERANCES
- 2.0 DESIGN NOTES
 - 2.1 THIS DOCUMENT IS FOR THE INSTALLATION OF MTM-RRU-ERC4435 CABLED
- 3.0 MANUFACTURING/SPECIAL REQUIREMENTS
 - 3.1 DISCARD ANY UNUSED HARDWARE
- 4.0 TEST
- 5.0 PACKAGING

REVISIONS			
REV.	DESCRIPTION	DATE	APPROVED
A	INITIAL RELEASE	ZL1057 20APR22	YC1015 40148929CMO

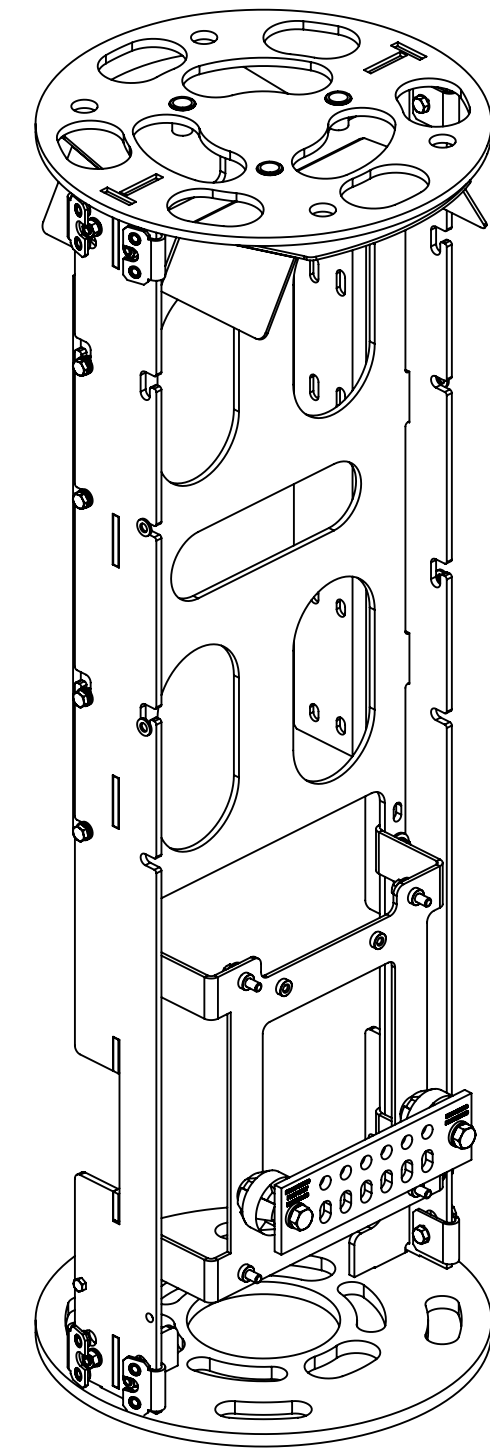
POLETOP 12" 860664822-AMK-002 INSTALLATION INSTRUCTIONS



**STEP 1
REMOVE COVERS AND
HARDWARE**



**STEP 2
REMOVE OLD BRACKETS
AND HARDWARE**



**STEP 3
REPALY BRACKET**

ITEM NO	PART NUMBER	DESCRIPTION	QTY
1	SSC-760236966E10X	12" PT 36" TALL E1 CONFIG	1
2	860664822-AMK-002	PT12,AMK,4435,2-440X OR 2-220X	1

DENSITY		lbs/in ³
MASS	69.13	lbs
VOLUME	643.96	in ³
SURFACE AREA	6359.55	in ²
HEIGHT	N/A	
LENGTH	N/A	
WIDTH	N/A	

COMMSCOPE, INC. OF NORTH CAROLINA			
TOLERANCES		SAP MATERIAL MASTER	
1 PLACE .X[X] ± N/A	3 PLACE .XXX[X] ±	PT12, AMK,ERC 4435-BRK-INSTALL	
2 PLACE .XX[X] ±	ANGLES ±		
FINISH N/A		MATERIAL N/A	
UNLESS OTHERWISE SPECIFIED DIMENSIONS ARE IN INCHES INTERPRET PER ANSI Y 14.5M-1994		NAME	DATE
		CE ZL1057	20APR22
		RW YC1015	06/16/2022
		AD DM1121	06/16/2022
		RE YC1015	06/16/2022
ECN 40148929CMO		TITLE PT12, AMK,ERC 4435-BRK-INSTALL	
		SCALE	DOCUMENT NO.
		1:8	860664822-AMK-002-INSTALL
SIZE	Auth Group	INSL	MODEL
C			VERSION
			STATUS
			REVISION
			VERSION
			STATUS
			REVISION
			DRAWING
			REVISION
			SHEET
			1 OF 3

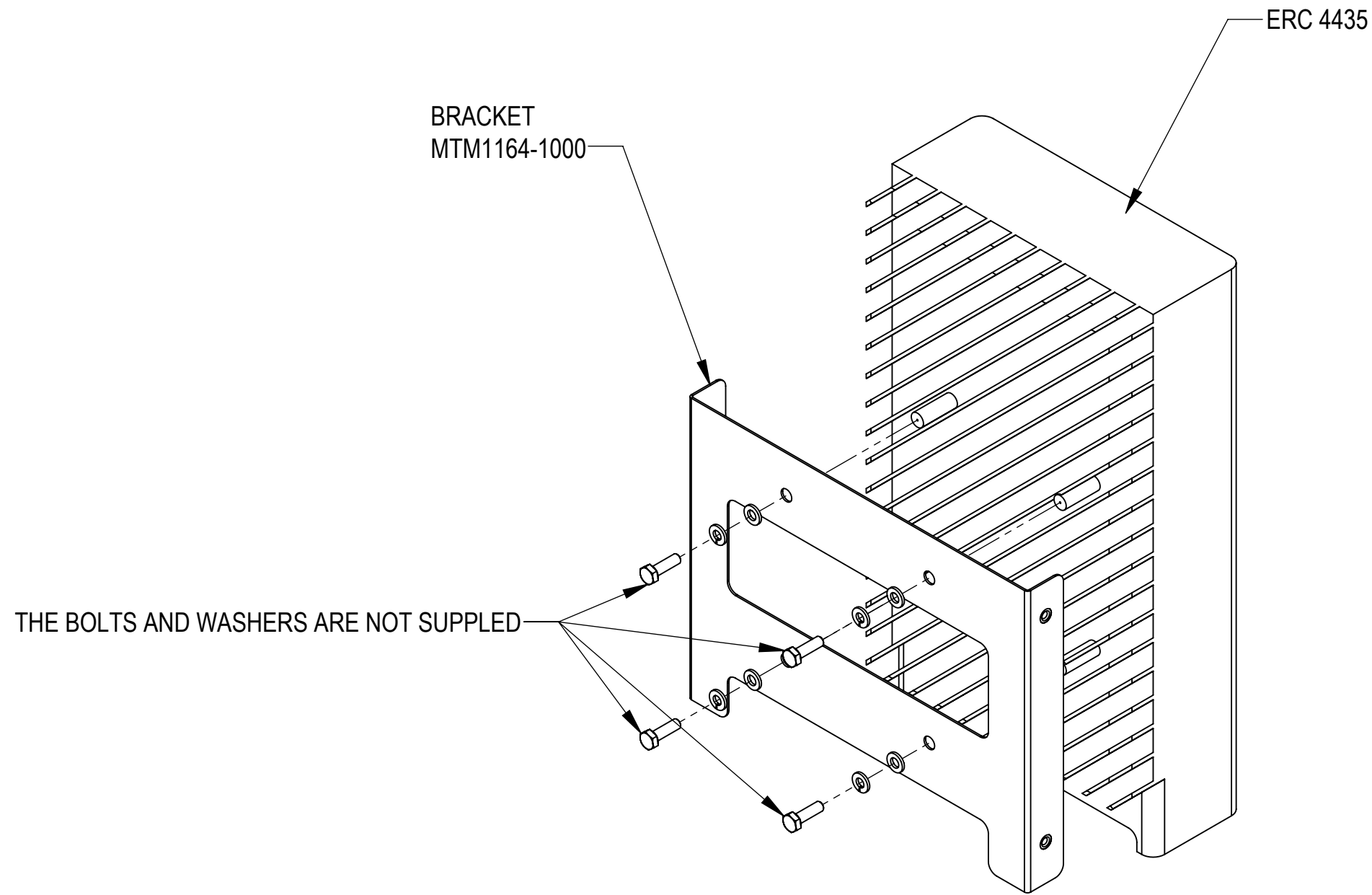
4

3

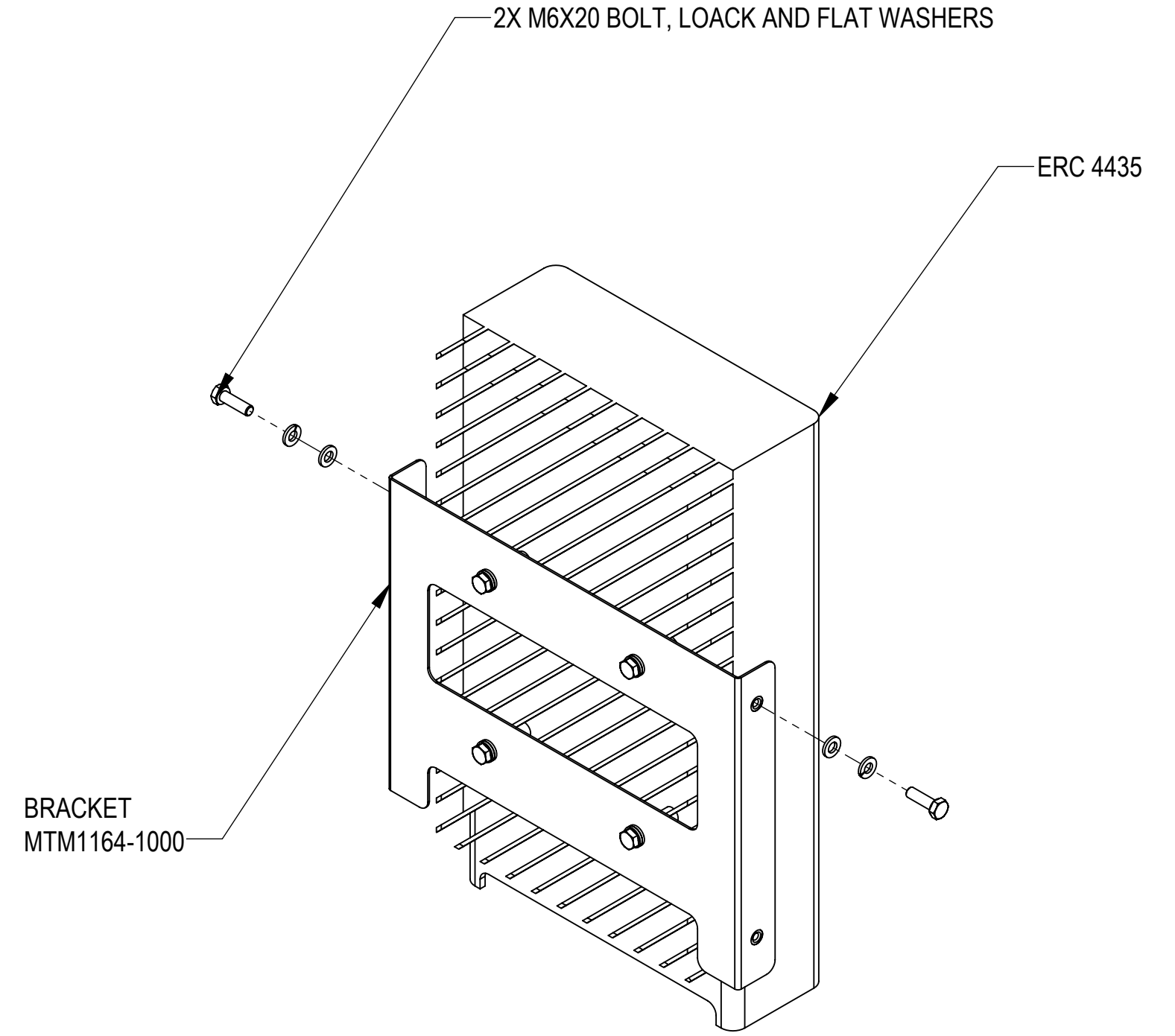
2

1


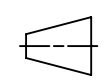
- 1. PLEASE USE THE SCREWS PROVIDED IN THE KIT 860664822-AMK-002 TO INSTALL THE BRACKET TO SIDE SPINE.
- 2. THE BOLTS AND WASHERS INSTALLED ON RRU ARE SUPPLIED WITH THE OEM RRU



STEP 4
MOUNT ERC4435 TO BRACKET MTM1164-1000 USING 4 SETS OF M6 HEX BOLT, LOCK WASHER AS SHOWN



STEP 5
INSTALL 2 SETS OF M6 BOLT AND WASHER, DONOT TIGHTEN

COMMSCOPE, INC. OF NORTH CAROLINA				
TITLE PT12, AMK,ERC 4435-BRK-INSTALL				
SIZE C	SCALE 1:8	DOCUMENT NO. 860664822-AMK-002-INSTALL		
 		DRAWING		SHEET 2 OF 3
		VERSION 00	STATUS RE	

4

3

2

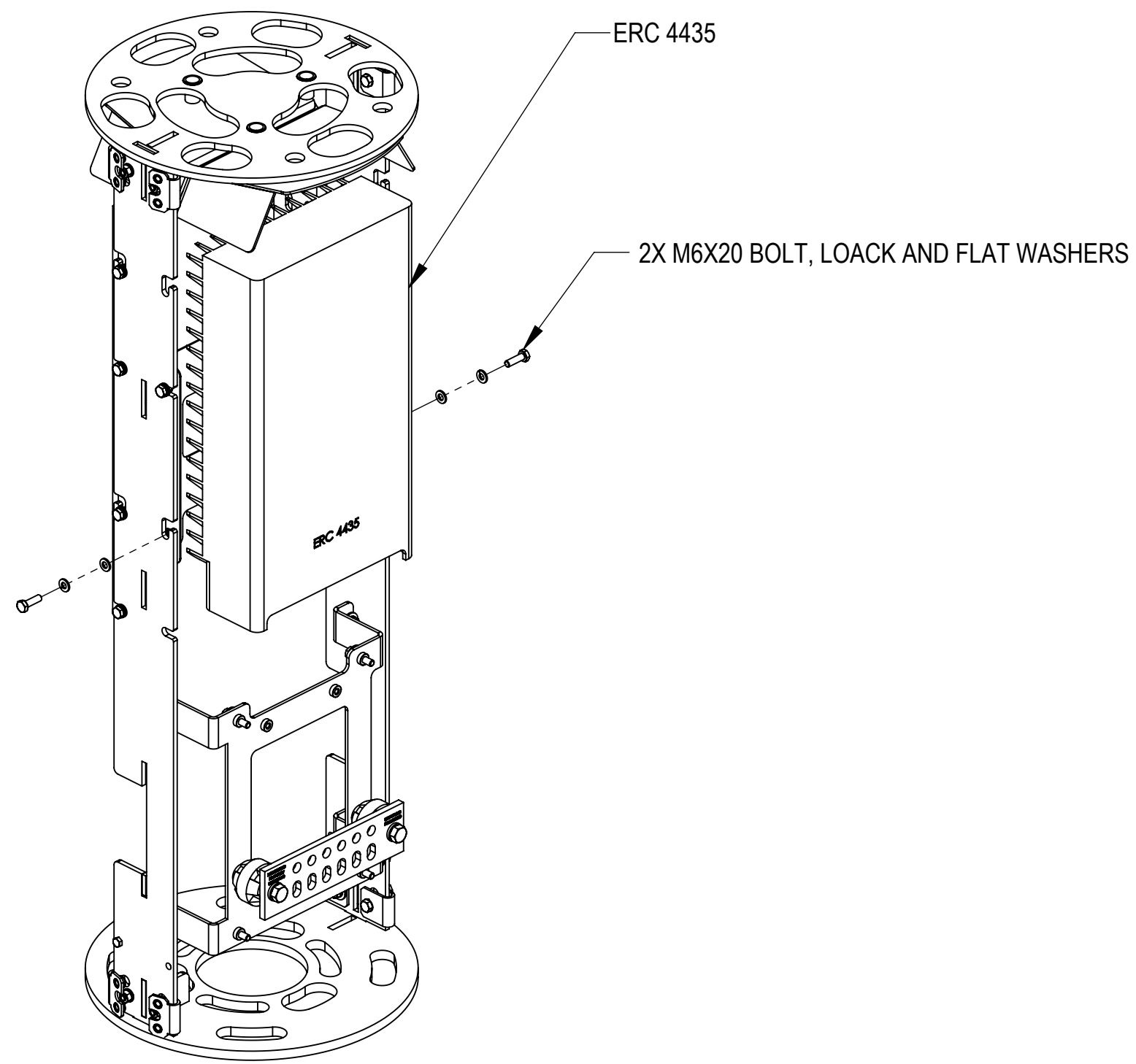
1

4

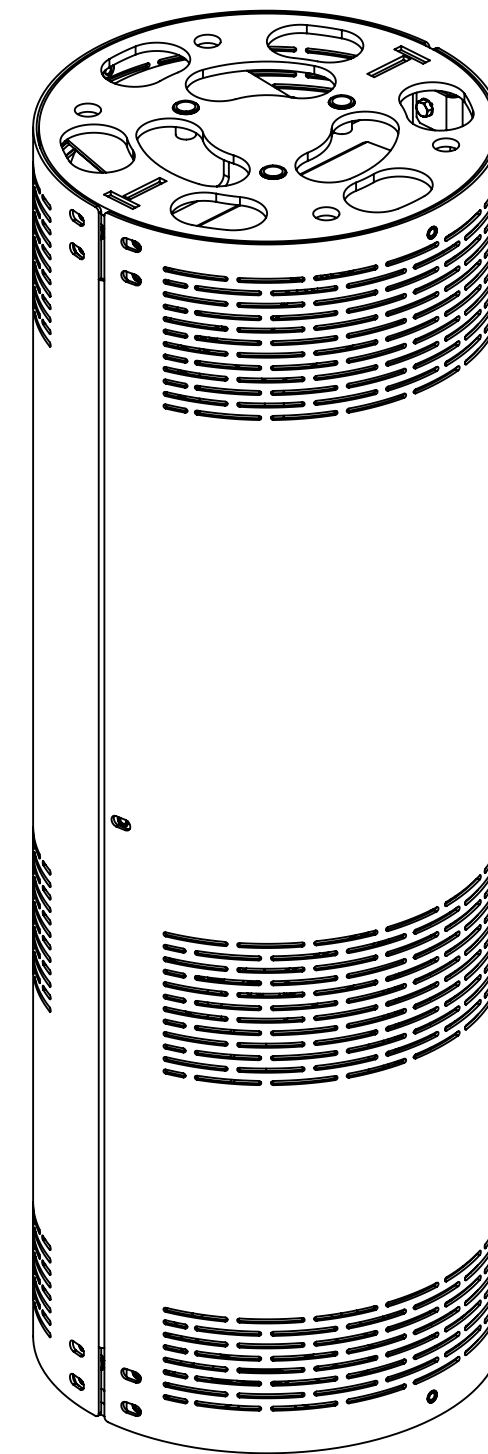
3

2


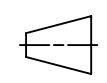
1



STEP 6
 HANG ERC4435 WITH BRACKET TO FRAME,
 THEN INSTALL ANOTHER 2 SETS OF M6 BOLT AND WASHER
 THEN TIGHTEN ALL BOLTS WITH TORQUE 8.5NM



STEP 7
 RE-INSTALL COVERS

COMMSCOPE, INC. OF NORTH CAROLINA					
TITLE PT12, AMK,ERC 4435-BRK-INSTALL					
SIZE C	SCALE 1:8	DOCUMENT NO. 860664822-AMK-002-INSTALL			
 		DRAWING			SHEET 3 OF 3
		VERSION 00	STATUS RE	REVISION A	

4

3

2

1

D

D

C

C

B

B

A

A