

4

3

2

1

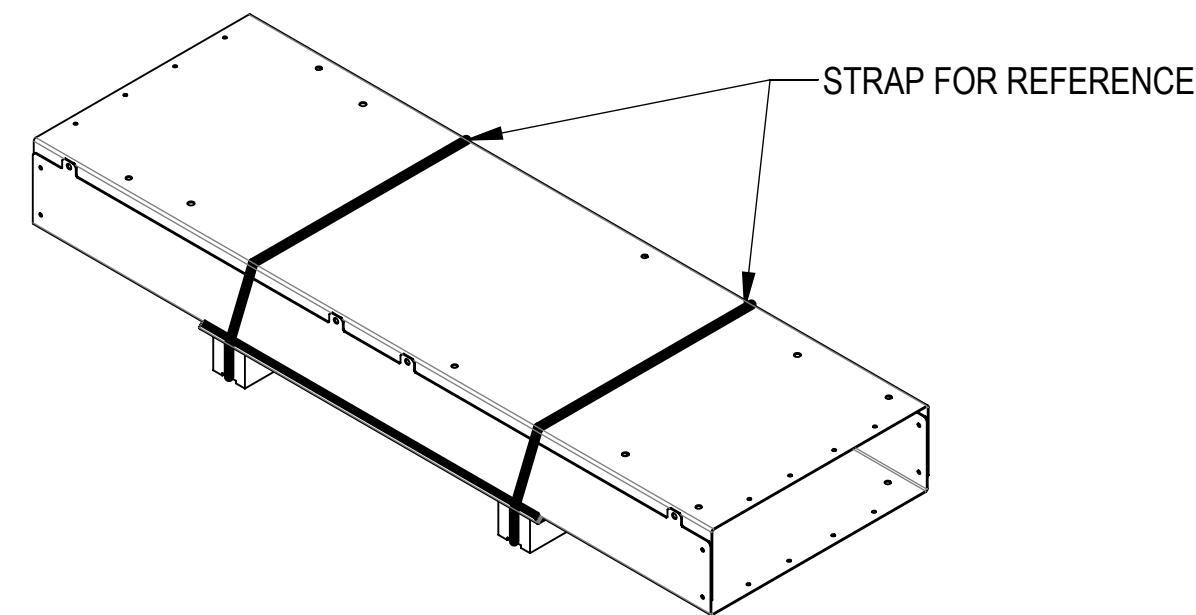
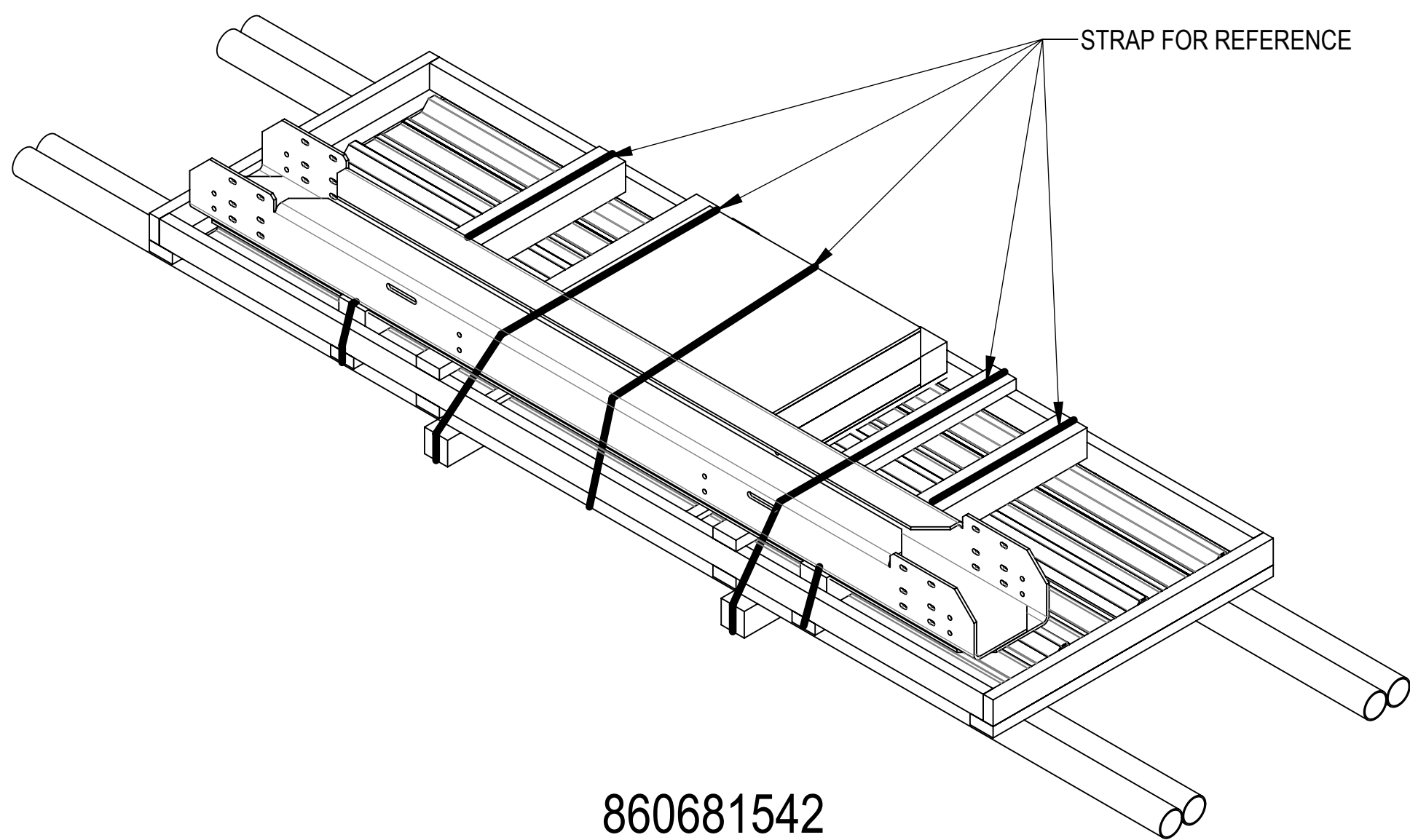
- 1.0 GENERAL NOTES
 - 1.1 ALL METRIC DIMENSIONS ARE IN BRACKETS [X. X]
 - 1.2 FOR PATENT INFO: <https://www.cs-pat.com>

- 2.0 DESIGN NOTES
 - 2.1 DIRECT BURIAL OPTION REQUIRES 36" MINIMUM REQUIREMENT BENEITH GRADE.
 - 2.2 DESIGN TO MEET OR EXCEED ACSC7-22 LOAD COMBINATIONS WITH THE FOLLOWING LOAD CRITERIA: 120MPH WIND SPEED (3-SEC. GUST) AT SEA LEVEL, 60 PSF SNOW LOAD, 20 PSF ROOF LIVE LOAD, AND 200 LBS. OF DISTRIBUTED CABLE LOAD IN CHASE

- 3.0 MANUFACTURING/SPECIAL REQUIREMENTS
 - 3.1 TIGHTEN ALL BOLTS SECURING FLAT PLATES BY THE TURN-OF-NUT METHOD. TIGHTEN ALL U-BOLTS USING TURN-OF-NUT METHOD WITH ATTENTION TO LEAVE EQUAL DISTANCE AND EQUAL FORCE ON EACH LEG OF THE U-BOLT.
 - 3.2 THE VERTICAL POSTS CAN BE FIELD TRIMMED AS NEEDED AND ALL CUTS ARE TO BE TREATED WITH COLD GALVANIZING COMPOUND.

- 4.0 TEST
- 5.0 PACKAGING
 - 5.1 PACKAGING SHALL MEET COMMSCOPE REQUIREMENTS PER DOCUMENT IS-PL-3005
 - 5.2 PRINTED DOCUMENT TO BE PLACED INSIDE POLYBAG AND THEN IN SHIPPING CONTAINER
 - 5.3 EXTRA HARDWARE MAY BE SUPPLIED, BAGGED AND SHIPPED

REVISIONS			
REV.	DESCRIPTION	DATE	APPROVED
A	INITIAL RELEASE	LL1090 21OCT24	RW1043 40205040CMO
B	ADDED PACKAGE VIEW	LL1090 13DEC24	BA1025 40210961CMO



MT-F1546

COMMSCOPE, INC. OF NORTH CAROLINA										
TOLERANCES					SAP MATERIAL MASTER					
1 PLACE .X[X] ± 0.2[6.3]			3 PLACE .XXX[X] ± 0.060[1.5]		860681542-1013					
2 PLACE .XX[X] ± 0.12[3.0]			ANGLES ± 2°							
FINISH SEE BOM					MATERIAL SEE BOM					
UNLESS OTHERWISE SPECIFIED DIMENSIONS ARE IN INCHES INTERPRET PER ANSI Y 14.5M-1994	CE	LL1090	21OCT24	10X13 RC, DIRECT BURIAL, WITH CHASE						
	RW	YMENG	12/17/2024							
	AD	LL1090	12/17/2024							
	RE	YMENG	12/17/2024							
	ECN	40210961CMO								
SCALE		DOCUMENT NO.								
1:24		860681542-1013								
SIZE	Auth Group	INSL	MODEL			DRAWING				SHEET 1 OF 2
C			VERSION	STATUS	REVISION	VERSION	STATUS	REVISION		
			01	RE	B	01	RE	B		

DENSITY		lbs/in ³
MASS	1789.65	lbs
VOLUME	6313.14	in ³
SURFACE AREA	113970.82	in ²
HEIGHT	188.0"	
LENGTH	156.0"	
WIDTH	120.0"	

4

3

2

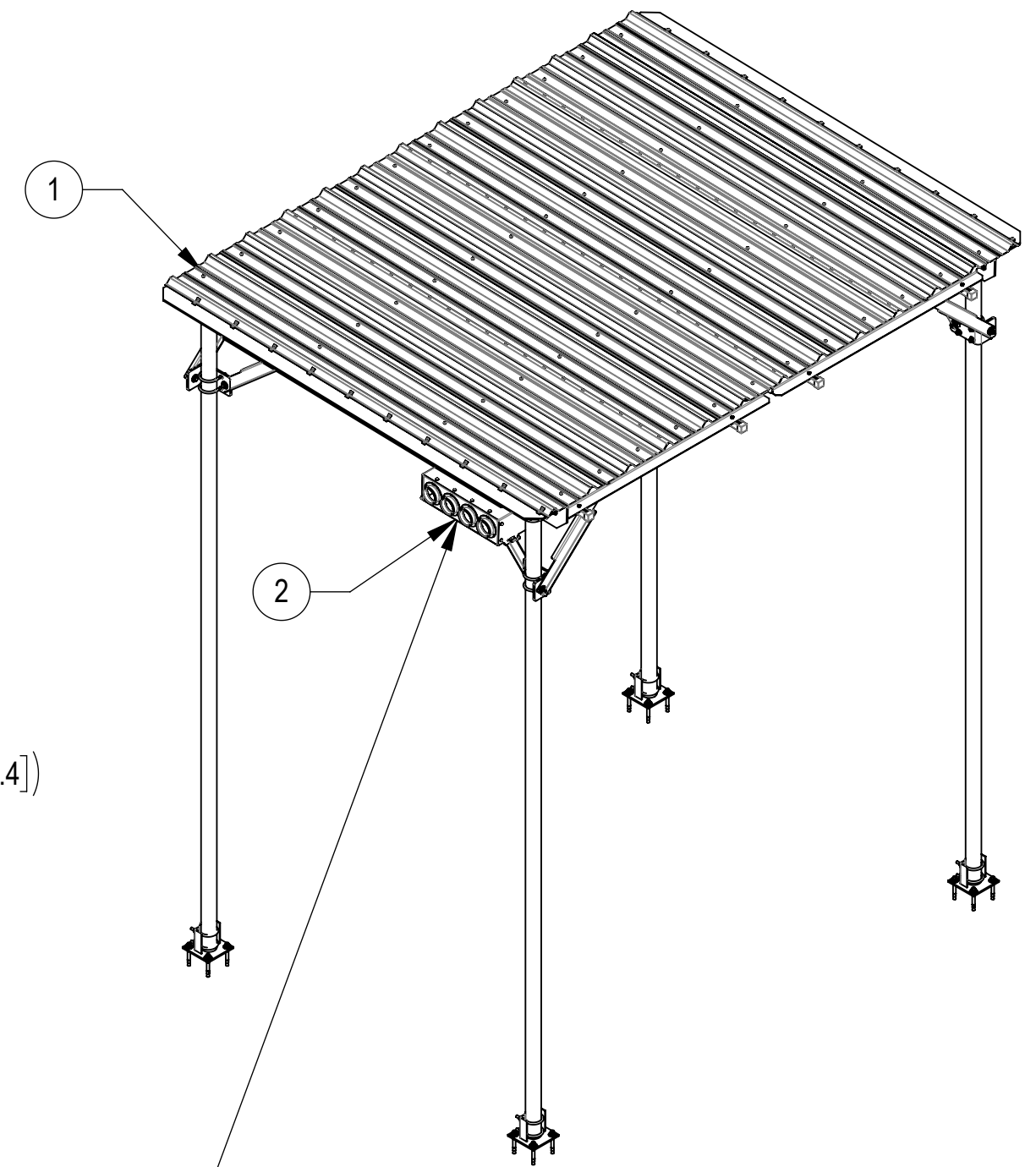
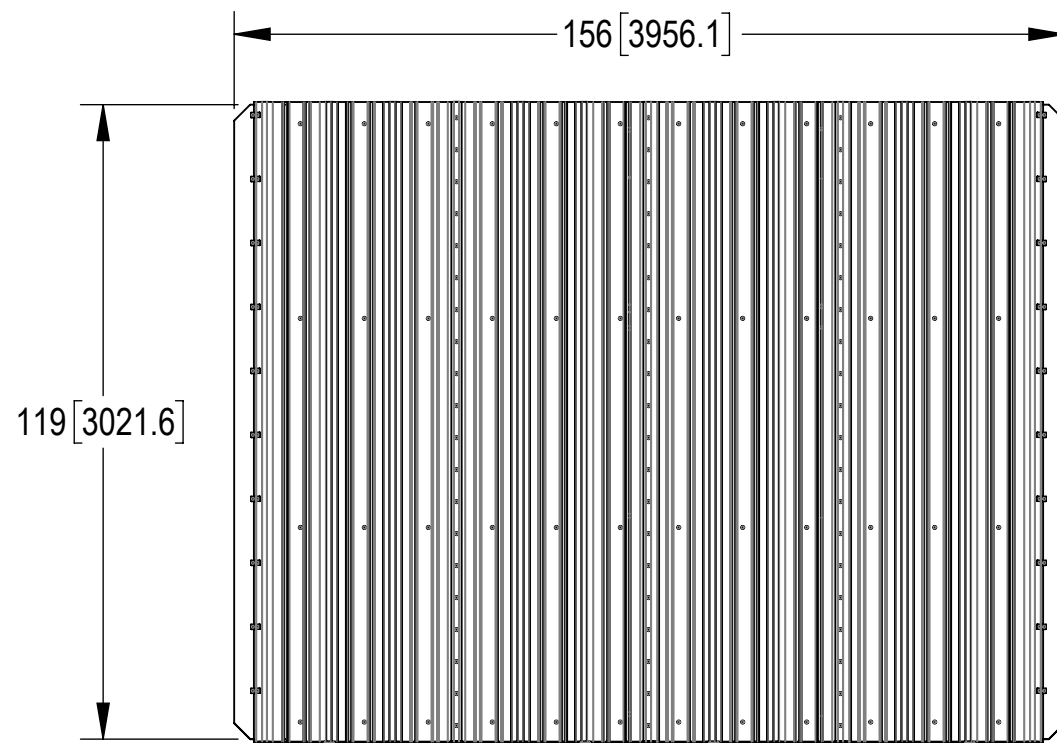
1

4

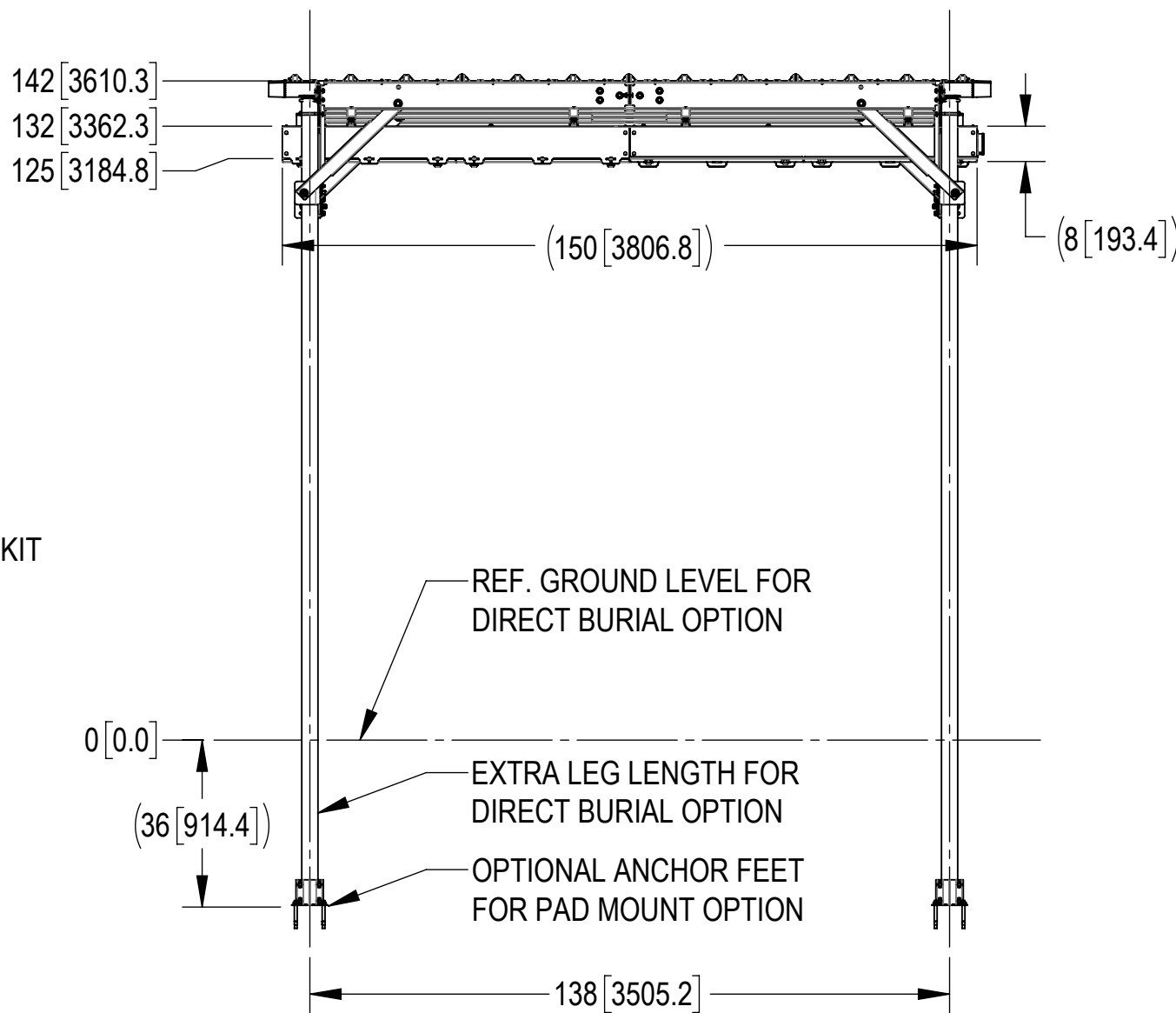
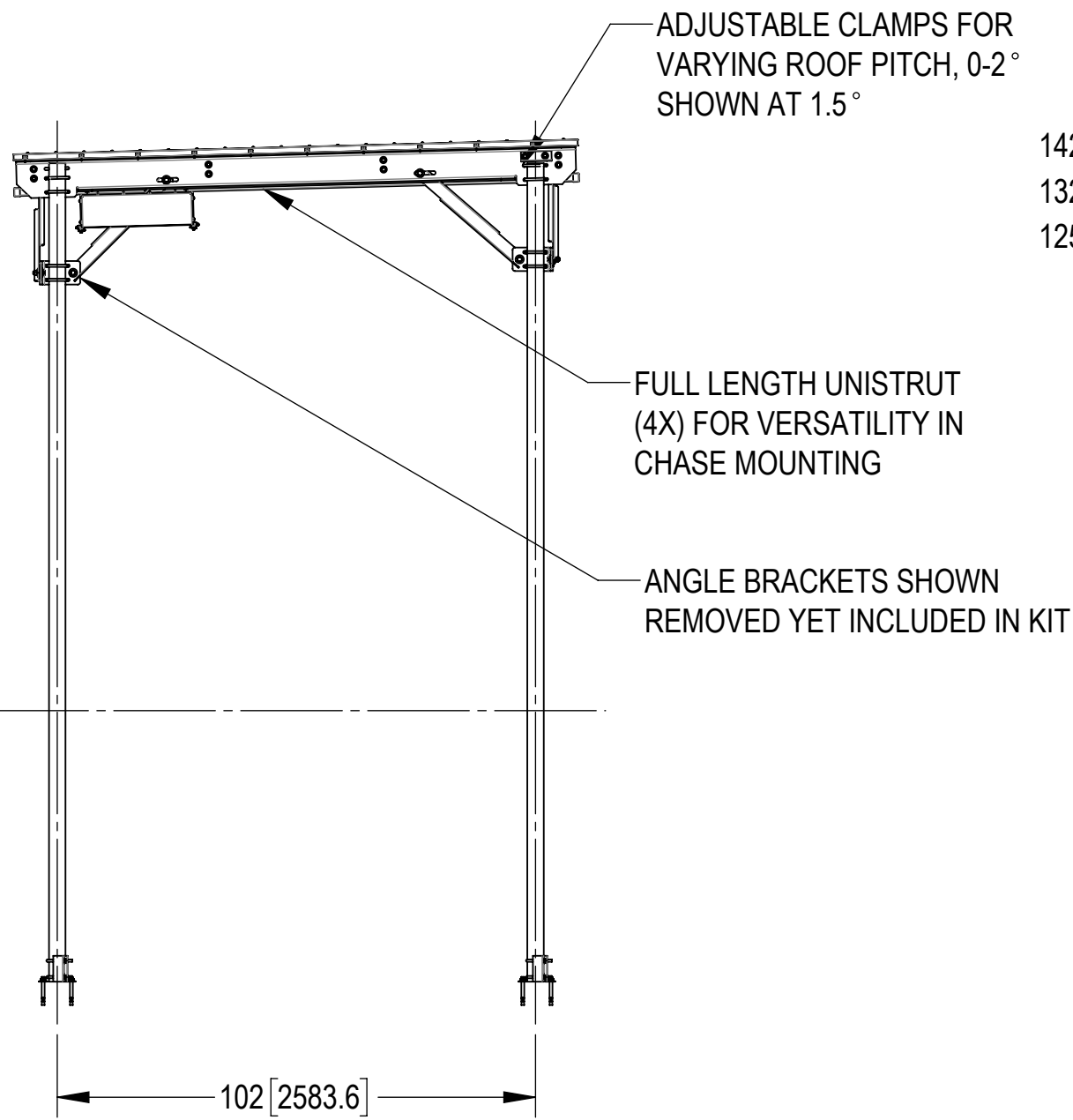
3

2

1



CABLE CHASE SHOWN BIASED REARWARDS, YET CAN BE INSTALLED AT ANY POINT ALONG THE UNISTRUTS. ANGLE BRACKETS MAY HAVE TO BE REMOVED IN EXTREMELY MOUNTING POSITIONS.



COMPONENT PART NUMBERS PROVIDED FOR ASSEMBLY PURPOSES; INDIVIDUAL COMPONENTS MAY BE SHIPPED AS PARTS WITHIN AN INCLUDED KIT.

ITEM	PART NO.	DESCRIPTION	QTY.	WEIGHT	NOTE NO.
1	860681542	10'X13' CANOPY GALV	1	1467.99 LBS	
2	MT-F1546	CABLE CHASE, ASSEMBLY, 12.5' E-GALV	1	321.67 LBS	
3	86061542-1013	REF. DOC	1	.001 LBS	5.2

COMMSCOPE, INC. OF NORTH CAROLINA					
TITLE 10X13 RC, DIRECT BURIAL, WITH CHASE					
SIZE C	SCALE 1:48	DOCUMENT NO. 860681542-1013			
		DRAWING			SHEET
		VERSION 01	STATUS RE	REVISION B	2 OF 2

© 2024 CommScope, Inc. Confidential

4

3

2

1