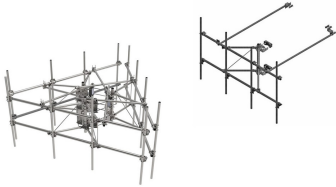


# G22-SERIES-MONOPOLE

---

## Base Product



## G22 Series Medium Capacity Monopole Frames

G22 Series Monopole & Tower Sector Frames feature a medium duty sector frame option for a tailored solution when heavy duty load conditions are not required. Offerings include 10ft, 12ft, and 14ft face widths and feature double tie-backs. The G22 Family includes:

- SFG22HD: Tower Sector Frames with 2-7/8" OD Face Pipes & 2-3/8" OD Antenna Pipes
- MCG22HD: Monopole Sector Frames with 2-7/8" OD Face Pipes & 2-3/8" OD Antenna Pipes
- SFG22HDX: Tower Sector Frames with 2-7/8" OD Face Pipes & 2-7/8" OD Antenna Pipes
- MCG22HDX: Monopole Sector Frames with 2-7/8" OD Face Pipes & 2-7/8" OD Antenna Pipes

## Product Classification

**Product Type** High capacity Tower sector frame

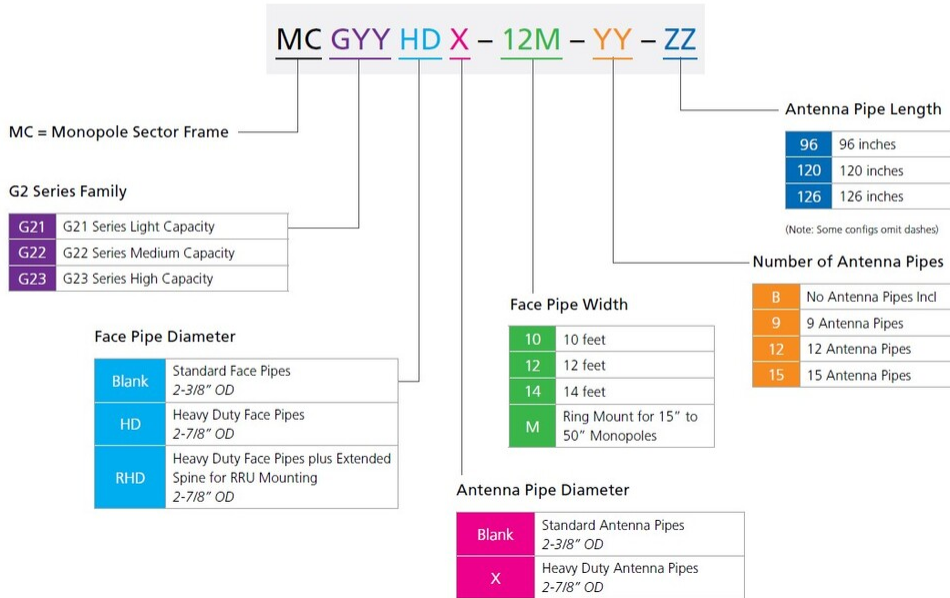
**Product Series** G2

## Ordering Tree

# G22-SERIES-MONOPOLE

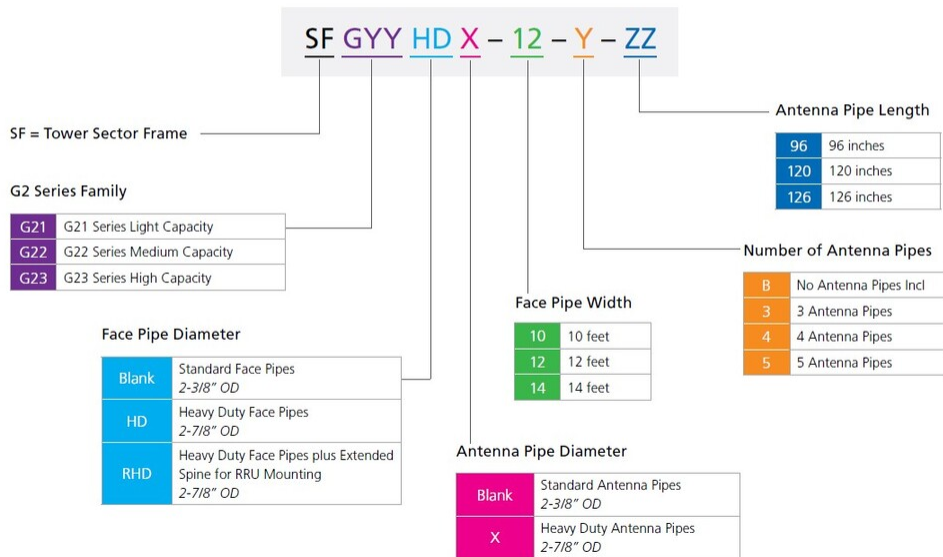
## Part number nomenclature

G2 series monopole sector frame



## Part number nomenclature

G2 series tower sector frame



# G22-SERIES-MONOPOLE

---

