

FACT FRAME

INSTALLATION INSTRUCTION: Splice frame

COMMSCOPE®

FACT FRAME: SPLICE FRAME

Contents

1. General product information	2	6. Frame Labeling	10
2. Warnings and caution	2	7. Side To Side / Back To Back Mount	11
3. Kit content.....	2	8. Wall Mount.....	12
4. Frame Assembly.....	4	9. Trade-marks	16
5. Routing Parts Assembly.....	9	10. Contact Information.....	16

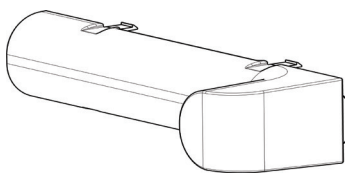
1. General product information

CommScope's FACT splice frame is designed to meet today's and tomorrow's high density network needs. This front access splice frame can house up to 60 FACT splice elements and provides full access to both cable sides. The FACT splice frame is available in 2.2m height and can be mounted on the floor - free standing, or against a wall. To a certain extent cable attachment features are incorporated into the side ducts and cable capacity can be extended with extra attachment plates for virtually all cable types. The frame kit standard includes side panels.

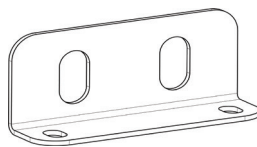
2. Warnings and caution

- Fiber optic cables may be damaged if bent or curved to a radius that is less than the recommended minimum bend radius. Always observe the recommended bend radius limit when installing fiber optic cables and patch cords.
- Exposure to laser radiation can seriously damage the retina of the eye. Do not look into the ends of any optical fiber. Do not assume the laser power is turned off or that the fiber is disconnected at the other end.

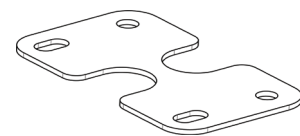
3. Kit content



4x Collector Edge



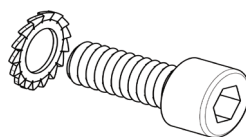
2x Wall Plate



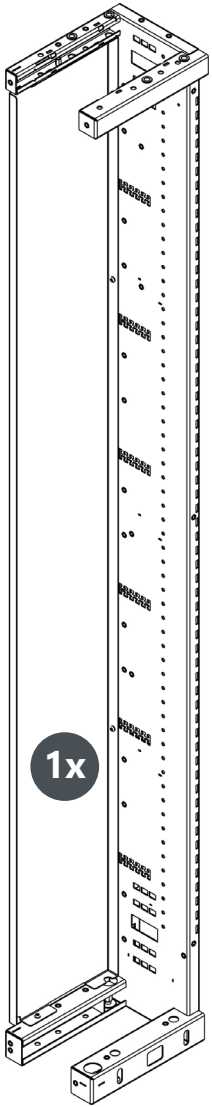
4x Connection Plate



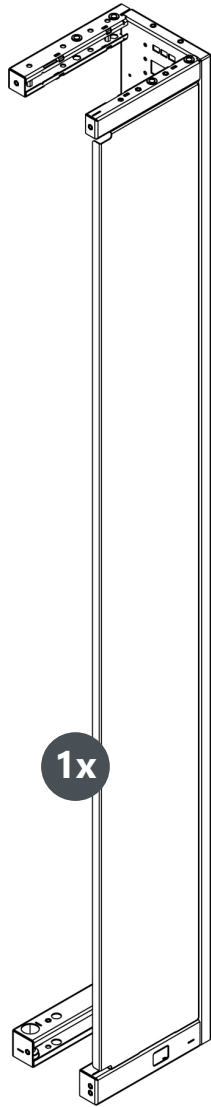
22x M6 Bolt+Washer



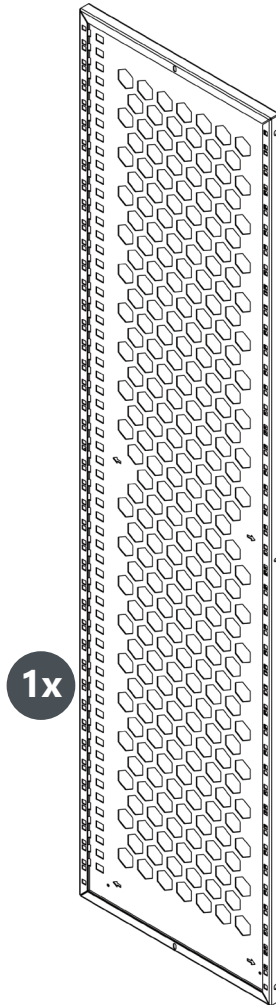
4x M10 Bolt+Washer



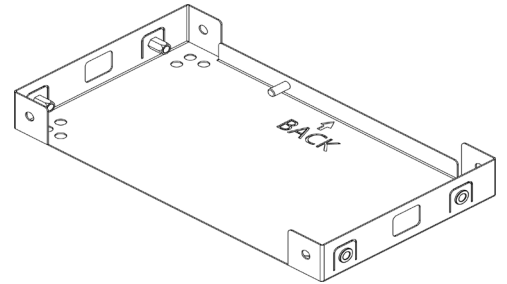
Side Duct Left 150



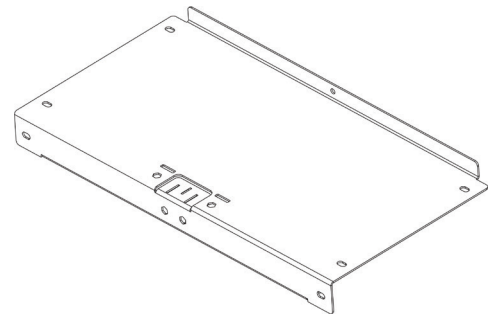
Side Duct Right 150



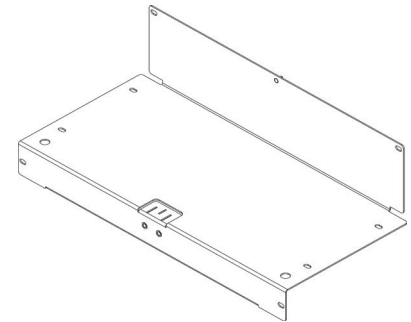
Back Plate IC



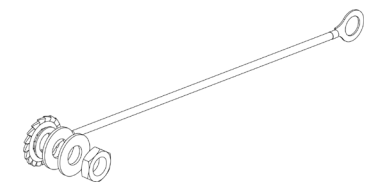
1x Floor Template



1x Frame Center Top

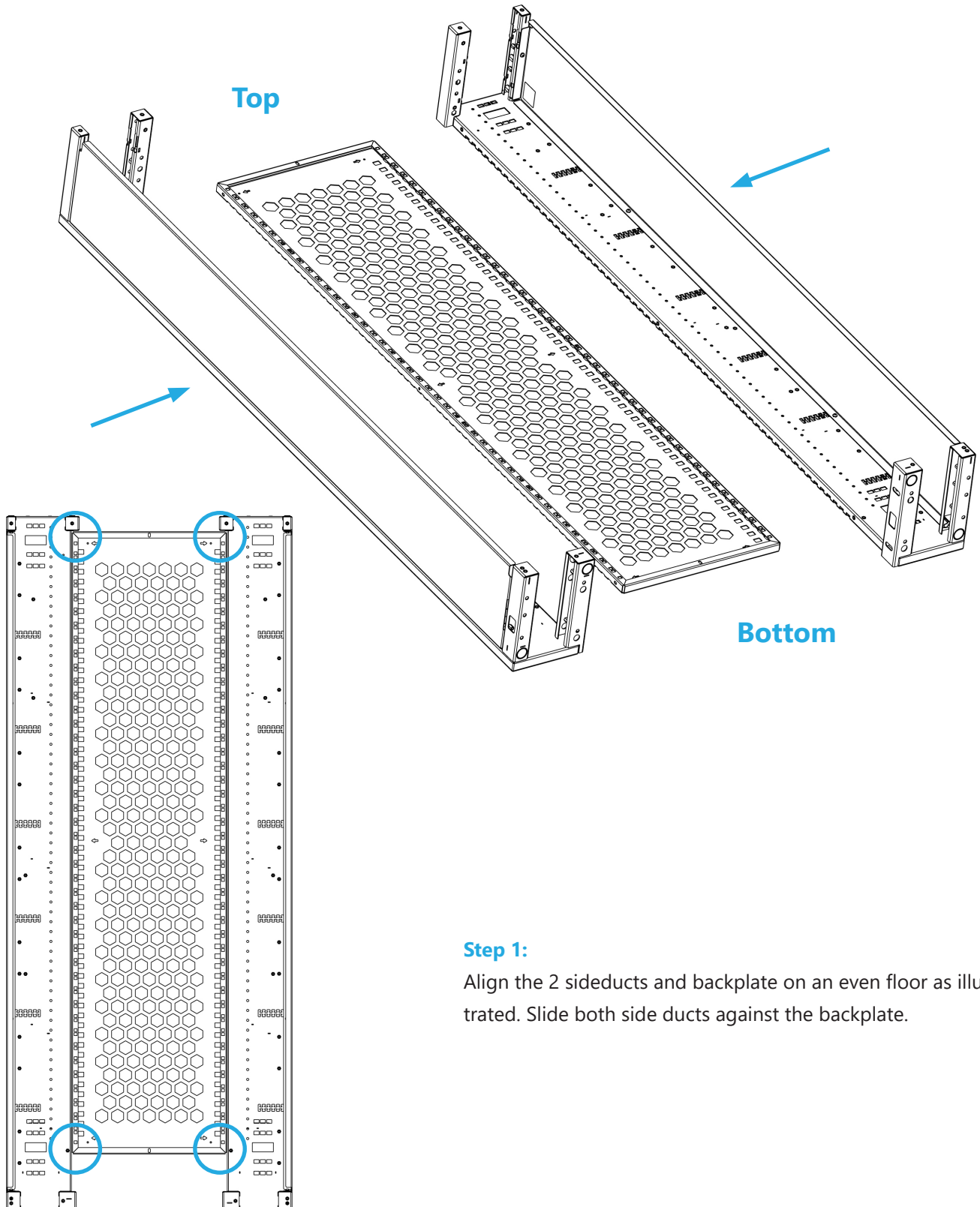


1x Frame Center Bottom



1x Grounding Kit

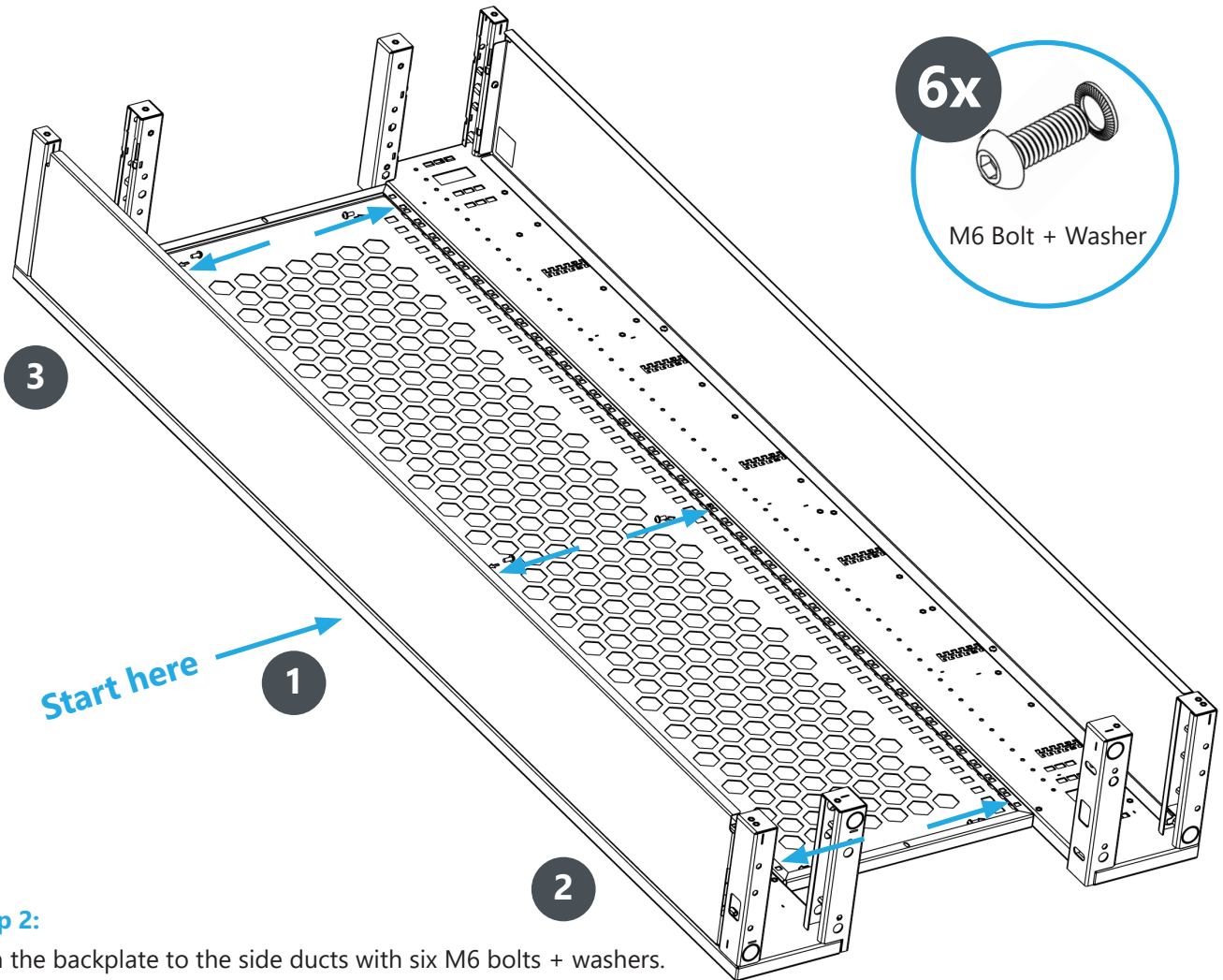
4. Frame Assembly - Step 1



Step 1:

Align the 2 sideducts and backplate on an even floor as illustrated. Slide both side ducts against the backplate.

4. Frame Assembly - Step 2



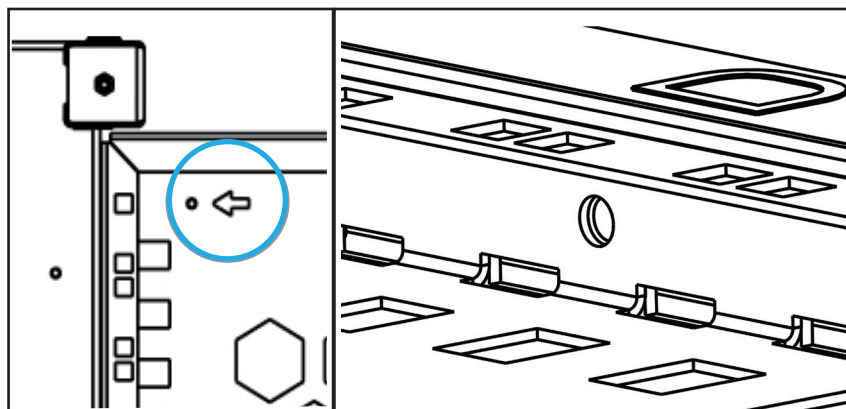
Step 2:

Join the backplate to the side ducts with six M6 bolts + washers.

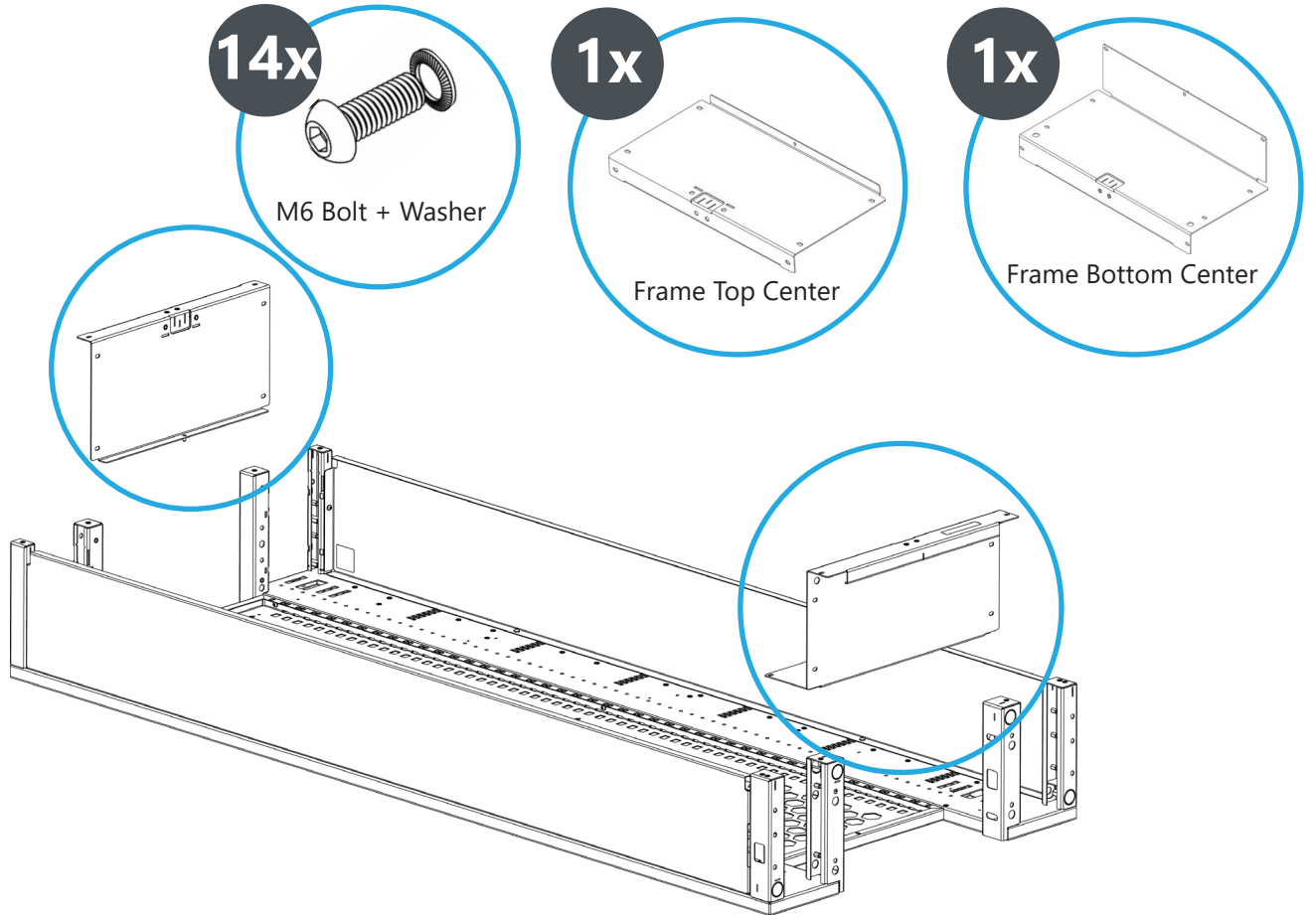
!Start with the 2 middle bolts.

!Make sure that the alignment is correct before screwing these in.

Positions for the bolts are indicated on the backplate with an arrow.

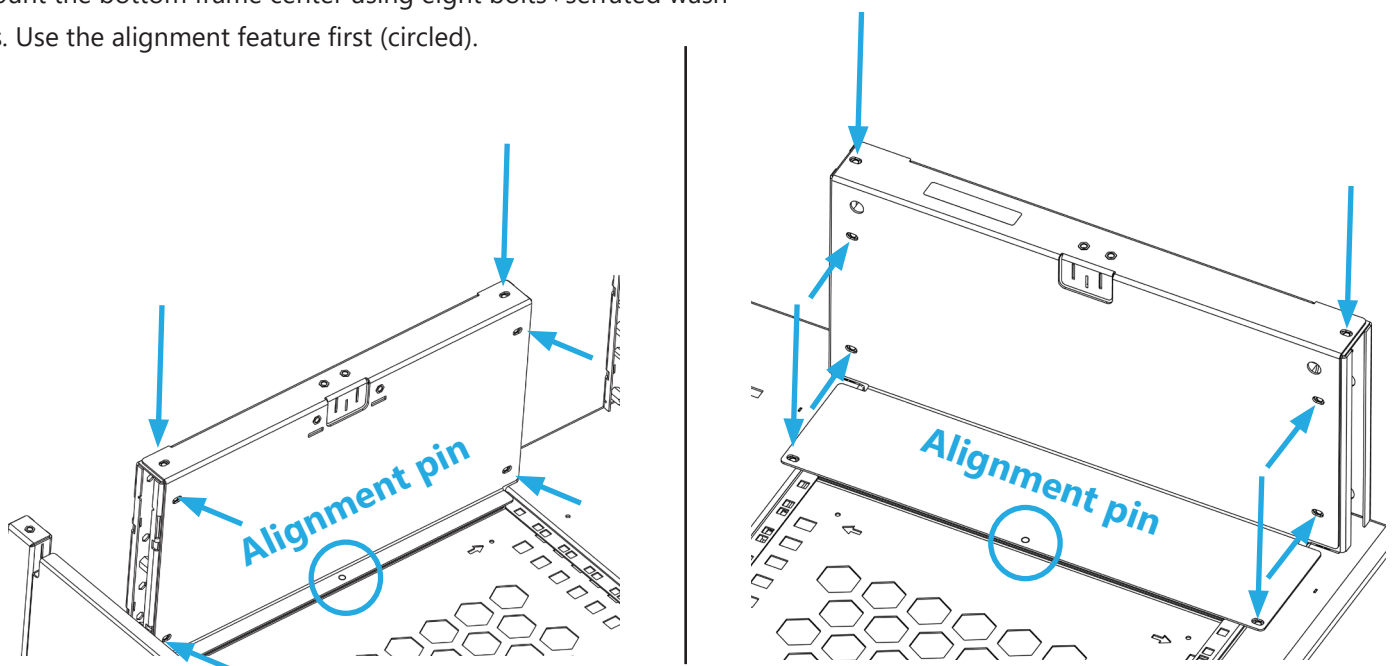


4. Frame Assembly - Step 3

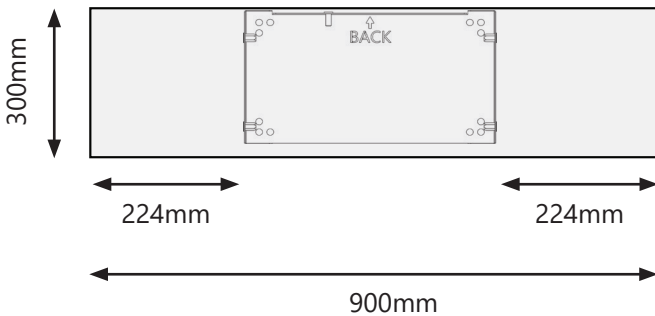
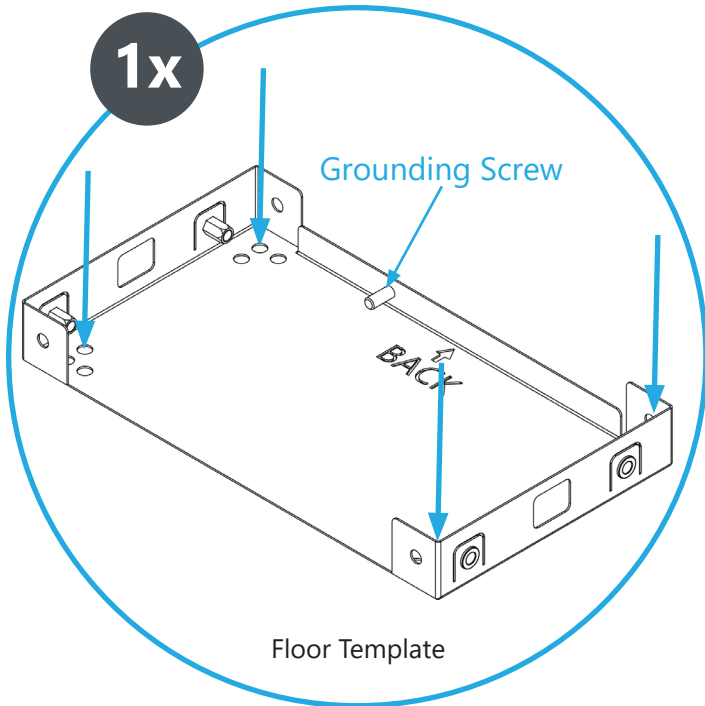


Step 3:

Mount the top frame center using six bolts+serrated washers.
 Mount the bottom frame center using eight bolts+serrated washers. Use the alignment feature first (circled).

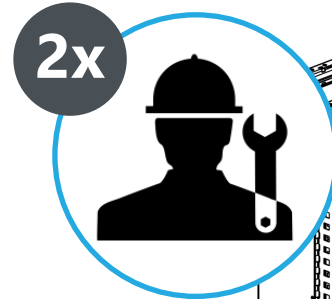


4. Frame Assembly - Step 4

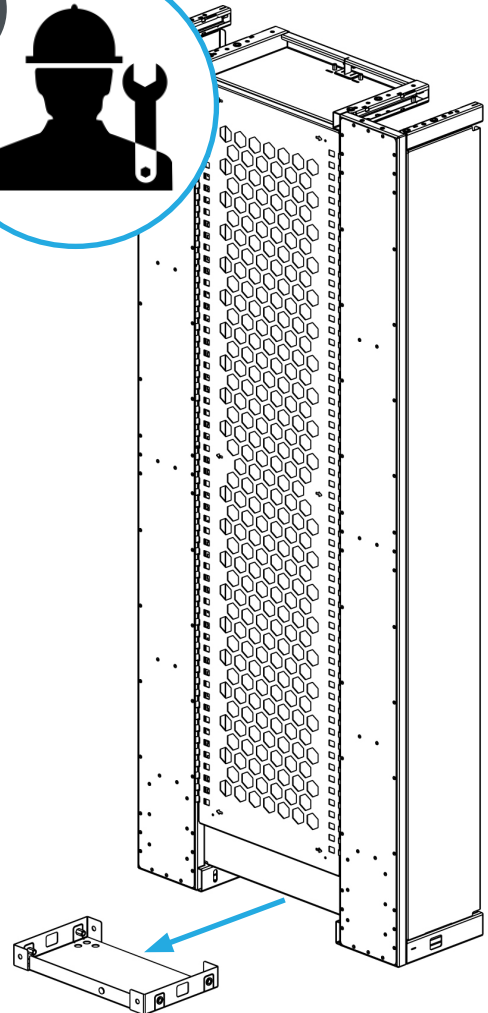


Step 4a:

- * Place the floor template and bolt it to the floor, but don't tighten it yet, to allow small adjustments.
- * The bolts & washers that are used to mount the floor template are not included.
- * Install the grounding kit if preferred. The grounding screw is located at the backside of the Floor Template.



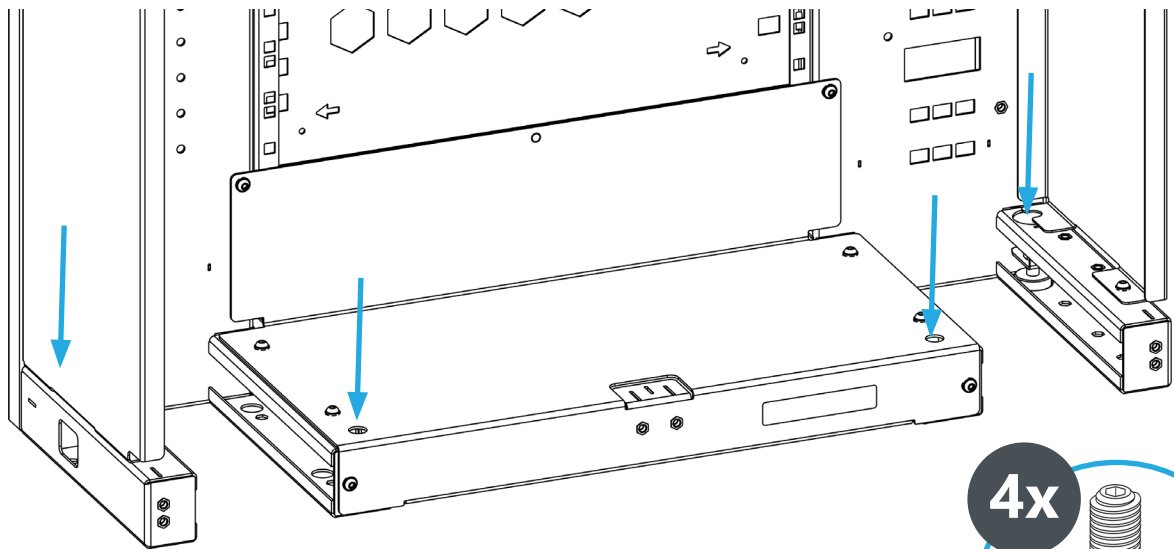
2x



Step 4b:

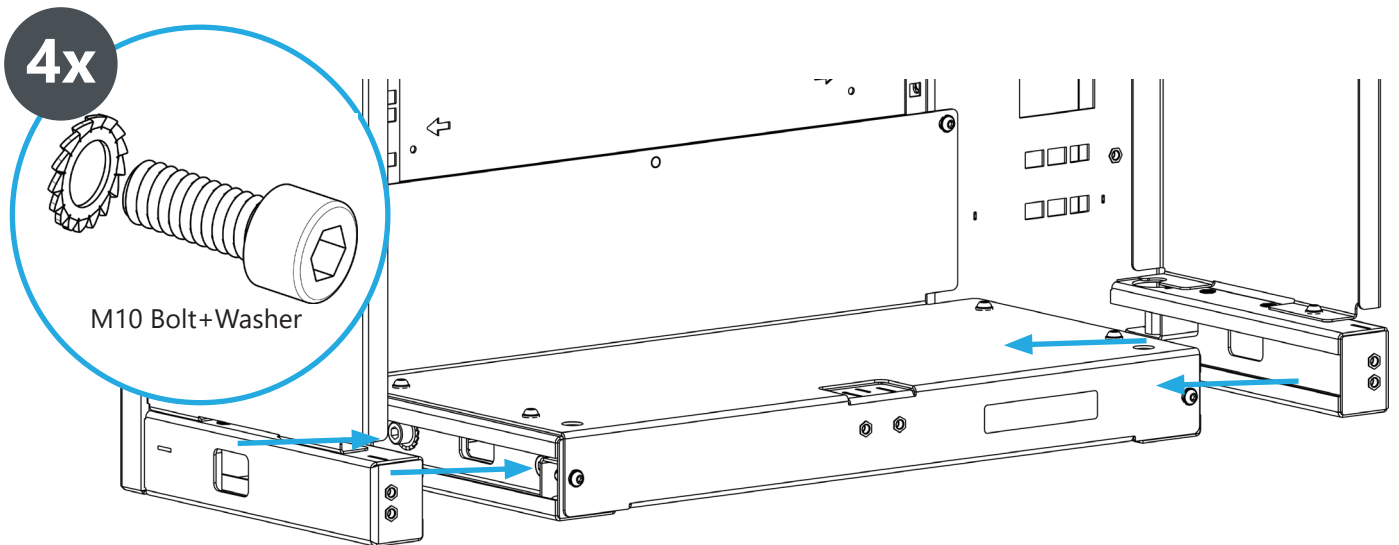
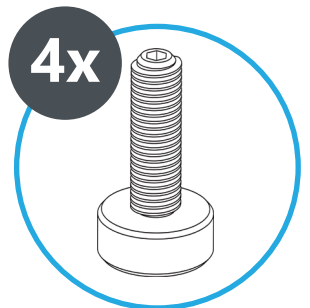
- * Lift the frame and slide it over the floor template.
- * ! It requires 2 installers as it is a heavy frame.
- * Align frame to the correct position.
- * Tighten floor template bolts.

4. Frame Assembly - Step 5



Step 5a:

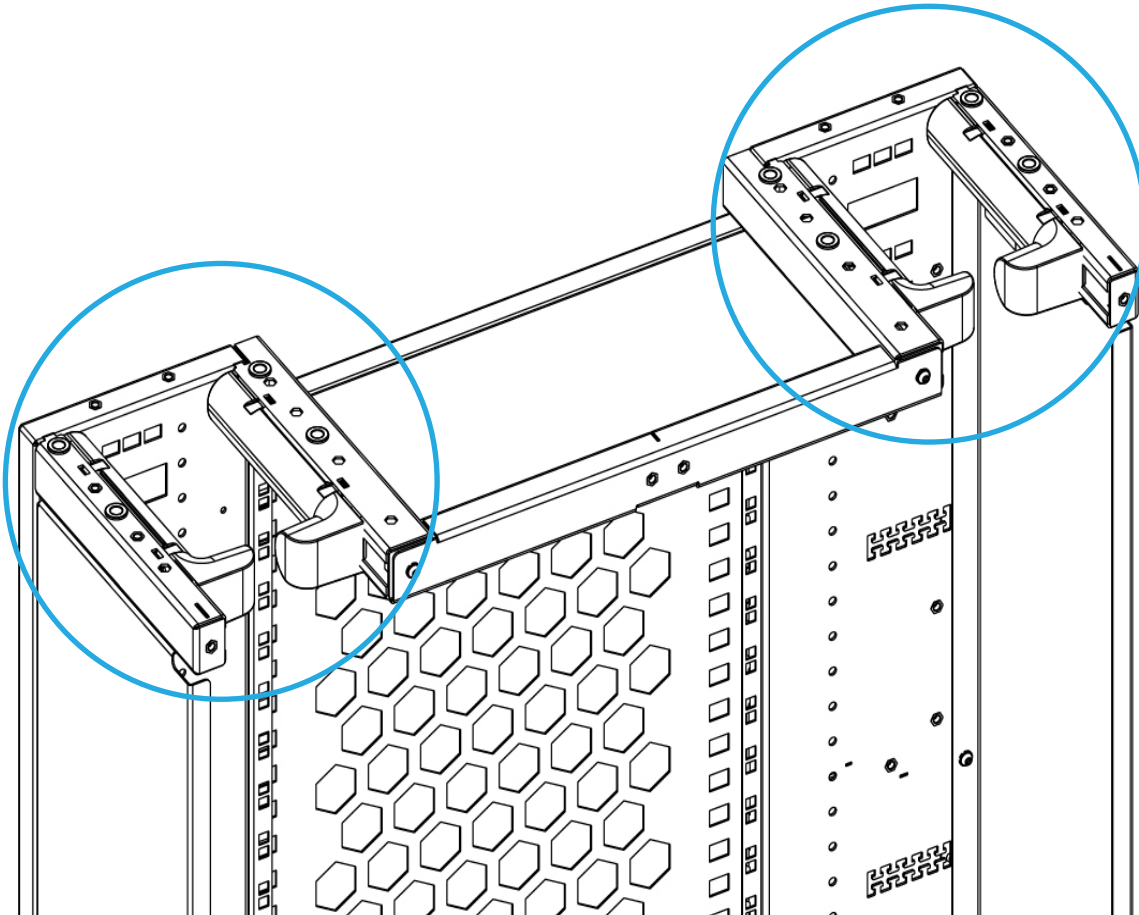
- * !Level the frame before bolting it to the floor template.
- * There are 4 leveling feet that can be adjusted.



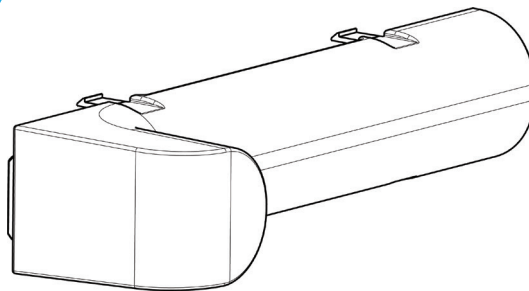
Step 5b:

- Bolt the frame to the template, using 4x M10 bolts + serrated washers.

5. Routing Parts Assembly - Step 6



4x

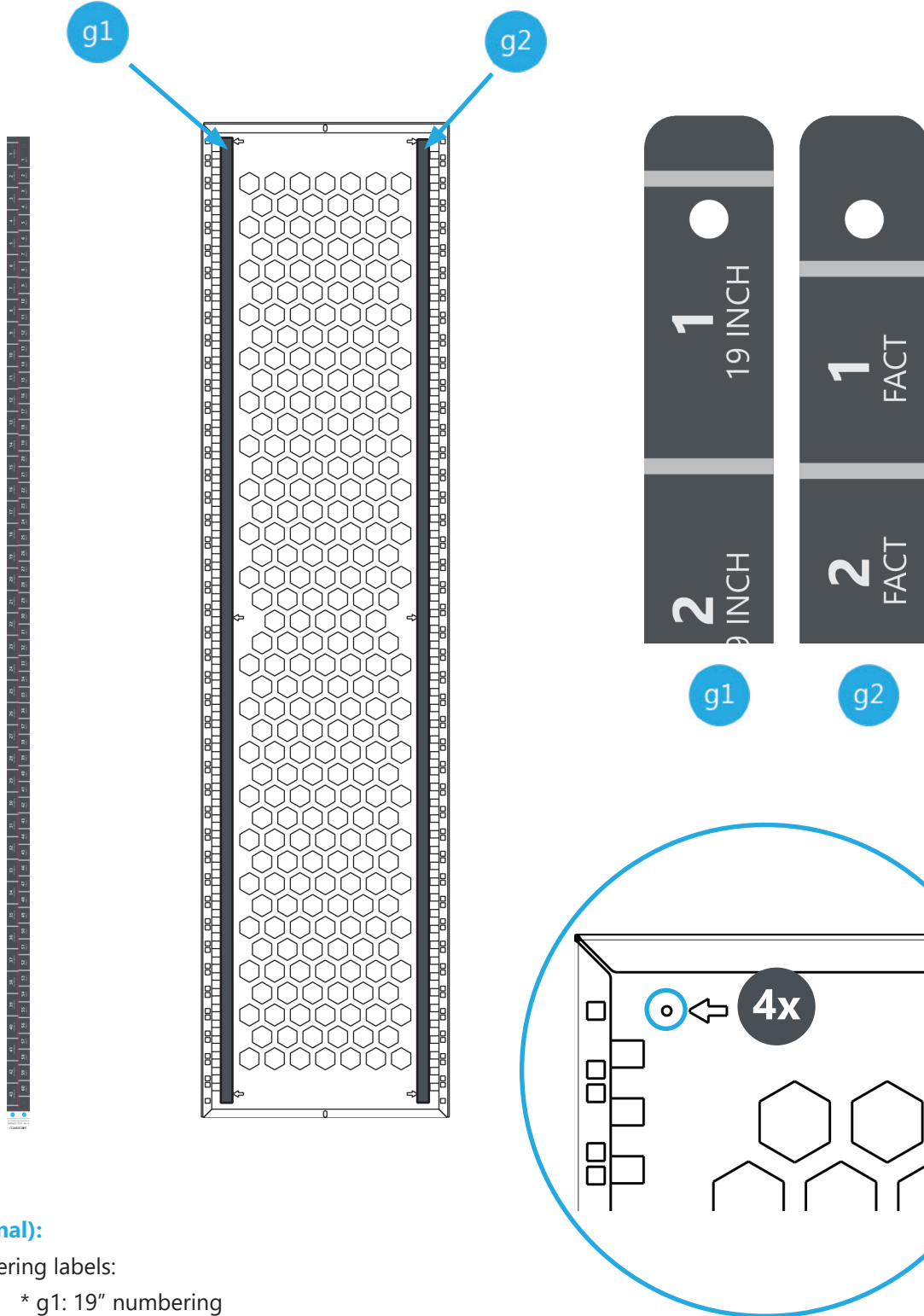


Collector Edge

Step 7:

Mount the collector edges.

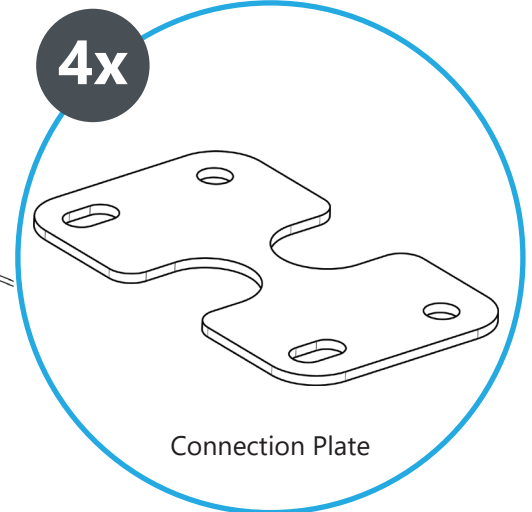
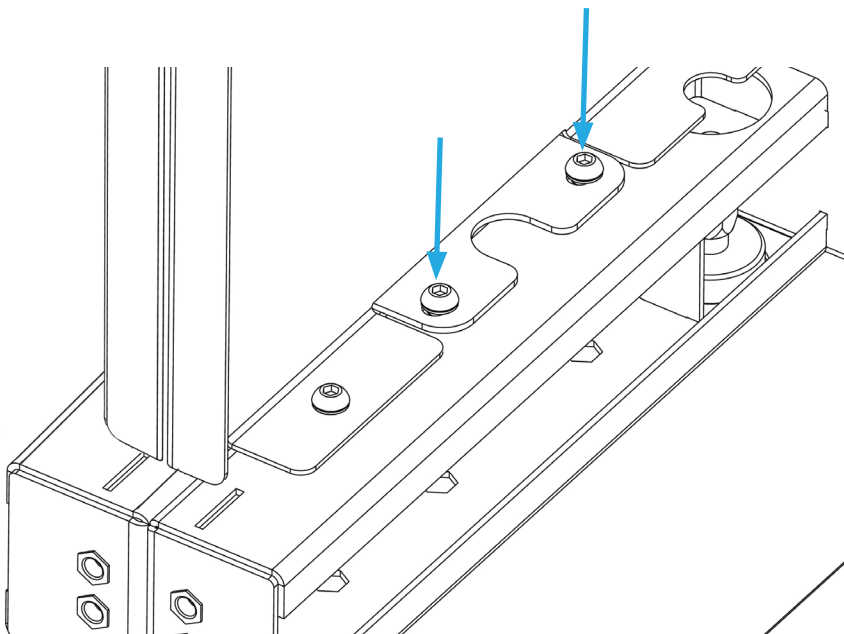
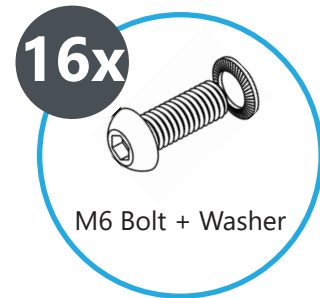
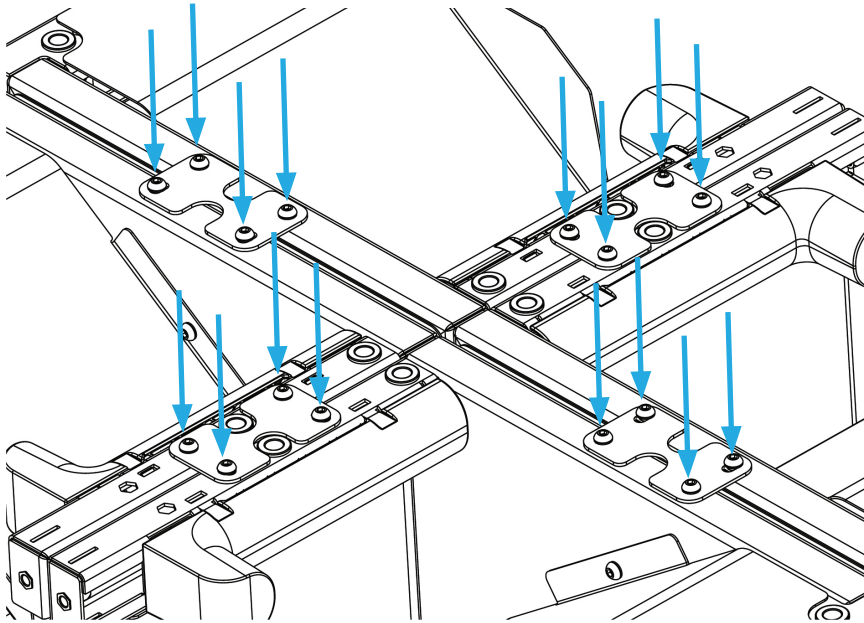
6. Frame Labeling - Step 7



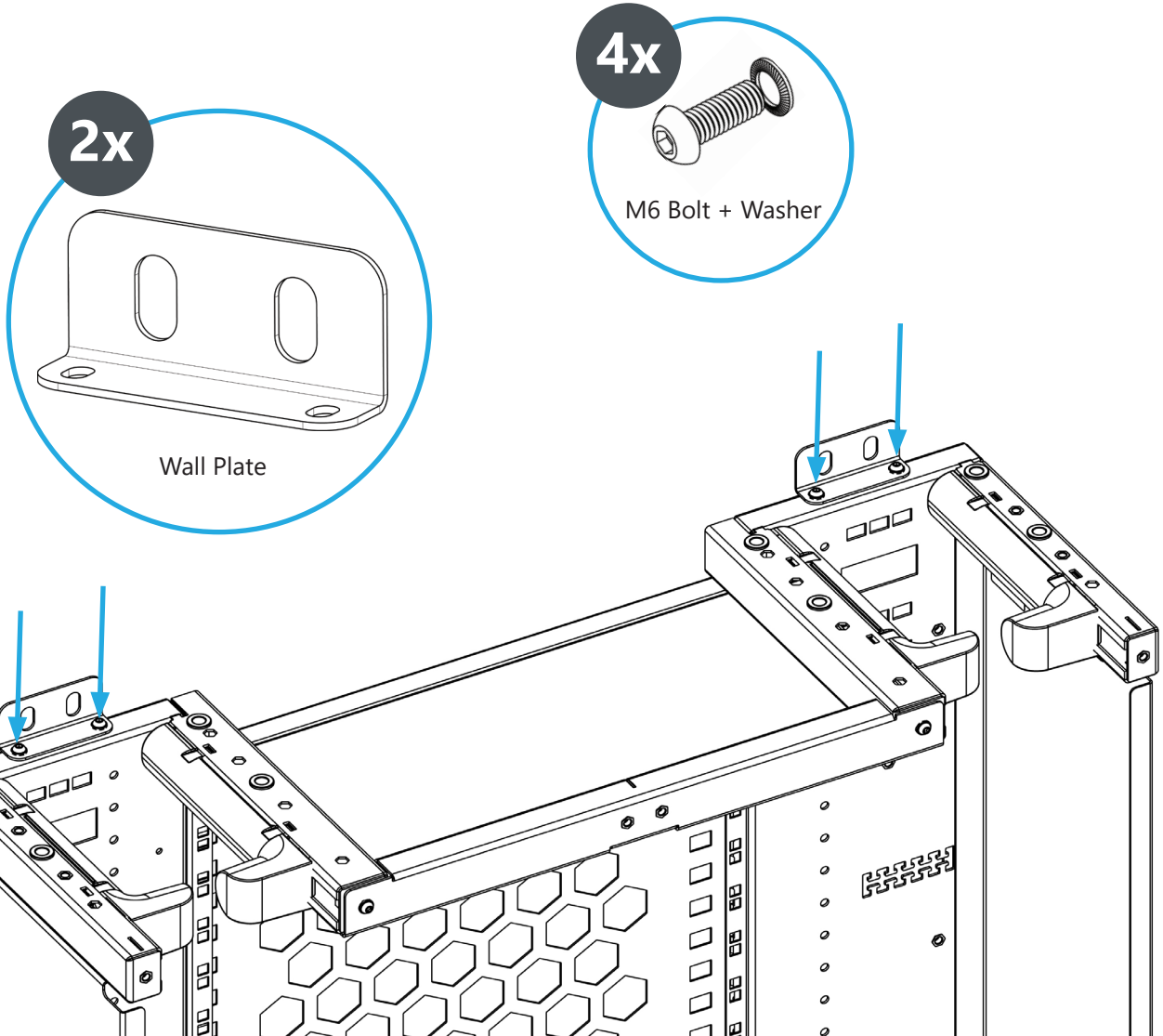
Step 8 (optional):

- * Place numbering labels:
 - * g1: 19" numbering
 - * g2: FACT numbering
- * Use alignment holes for proper alignment of the labels.

7. Side To Side Mount / Back To Back Mount



8. Wall Mount



9. Trade-marks:

All trademarks identified by ® or ™ are registered trademarks or trademarks, respectively, of CommScope, Inc. This document is for planning purposes only and is not intended to modify or supplement any specifications or warranties relating to CommScope products or services. CommScope is committed to the highest standards of business integrity and environmental sustainability, with a number of CommScope's facilities across the globe certified in accordance with international standards, including ISO 9001, TL 9000, and ISO 14001.

Further information regarding CommScope's commitment can be found at www.commscope.com/About-Us/Corporate-Responsibility-and-Sustainability.

This product may be covered by one or more U.S. patents or their foreign equivalents. For patents, see www.cs-pat.com.

10. Contact Information:

Visit our website or contact your local CommScope representative for more information.

For technical assistance, customer service, or to report any missing/damaged parts, visit us at: <http://www.commscope.com/SupportCenter>

© 2022 Commscope,
Inc. All Rights Reserved