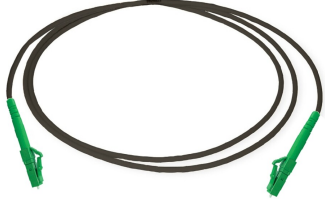


# FID-LG-010M-01A-LG

---



Fiber Optic Indoor/outdoor 3 mm Drop Cable Assembly, LC/APC-LC/APC, 10 M

## Product Classification

<b>Regional Availability</b>	EMEA
<b>Product Type</b>	Fiber drop cable assembly
<b>Product Series</b>	FID
<b>Ordering Note</b>	For custom cable assembly lengths, please contact your local CommScope representative

## General Specifications

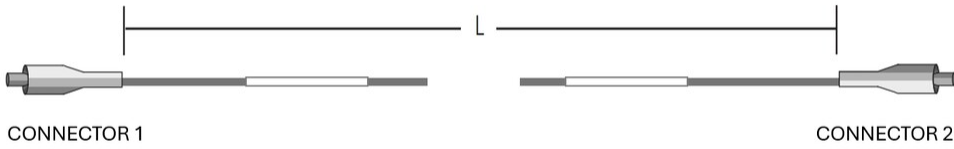
<b>Cable Type</b>	Stapleable - Round
<b>Connector A, quantity</b>	1
<b>Color, boot A</b>	Green
<b>Color, connector A</b>	Green
<b>Connector B, quantity</b>	1
<b>Color, boot B</b>	Green
<b>Color, connector B</b>	Green
<b>Interface, Connector A</b>	LC/APC
<b>Interface Feature, connector A</b>	Male
<b>Interface, Connector B</b>	LC/APC
<b>Interface Feature, connector B</b>	Male
<b>Jacket Color</b>	Black
<b>Total Fibers, quantity</b>	1

## Dimensions

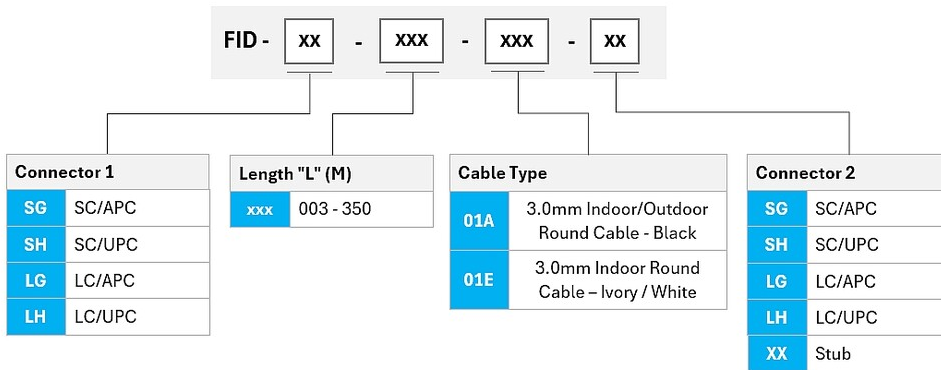
<b>Cable Assembly Length</b>	10 m   32.808 ft
<b>Cable Outer Diameter</b>	3.0 mm (0.12 in)

## Dimension Drawing

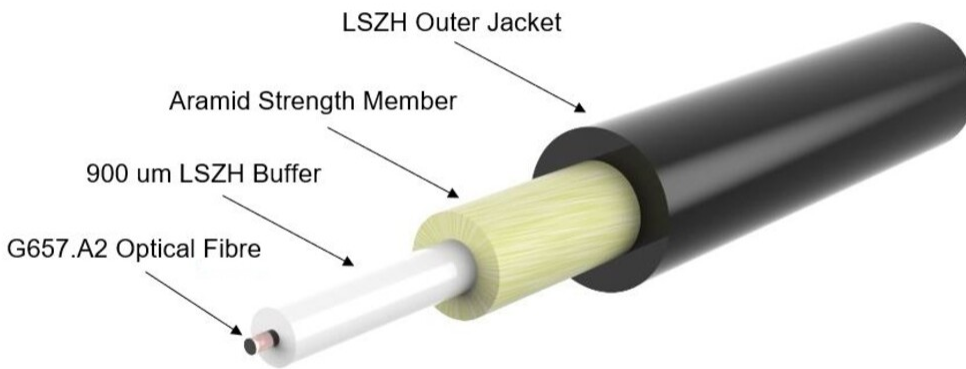
# FID-LG-010M-01A-LG



## Ordering Tree



## Representative Image



## Material Specifications

# FID-LG-010M-01A-LG

---

**Jacket Material** Low Smoke Zero Halogen (LSZH)

## Mechanical Specifications

**Minimum Bend Radius, loaded** 50 mm | 1.969 in  
**Minimum Bend Radius, unloaded** 30 mm | 1.181 in  
**Tensile Load, long term, maximum** 30 N | 6.744 lbf  
**Tensile Load, short term, maximum** 100 N | 22.481 lbf  
**Cable Crush Resistance, maximum** 10 N/mm | 57.101 lb/in

## Optical Specifications

**Fiber Mode** Singlemode  
**Fiber Type** G.657.A2, TeraSPEED®  
**Insertion Loss, maximum, connector A** 0.25 dB  
**Insertion Loss, maximum, connector B** 0.25 dB  
**Return Loss, minimum, connector A** 60 dB  
**Return Loss, minimum, connector B** 60 dB

## Environmental Specifications

**Installation temperature** -20 °C to +60 °C (-4 °F to +140 °F)  
**Operating Temperature** -40 °C to +70 °C (-40 °F to +158 °F)  
**Storage Temperature** -40 °C to +75 °C (-40 °F to +167 °F)  
**EN50575 CPR Cable EuroClass Fire Performance** Dca  
**Environmental Space** Indoor/Outdoor | Indoor/Outdoor  
**Jacket UV Resistance** UV stabilized  
**Qualification Standards** IEC 60794-1-2

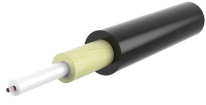
## Packaging and Weights

**Packaging quantity** 1  
**Weight, net** 0.13 kg | 0.287 lb

## Included Products

810010113/DB – Indoor/Outdoor Fiber Optic Drop cable, 1 Fiber G657 A2 0.9mm tight buffer. Breaking load Max 2000N. Suitable for installation under overhead power lines ≤11kV, vertical clearance ≥1.8m.  
C-001-DN-8G1-M01BK/30D/D-UK00

# 810010113/DB | C-001-DN-8G1-M01BK/30D/D-UK00



Indoor/Outdoor Fiber Optic Drop cable, 1 Fiber G657 A2 0.9mm tight buffer. Breaking load Max 2000N. Suitable for installation under overhead power lines  $\leq 11\text{kV}$ , vertical clearance  $\geq 1.8\text{m}$ .

Fire retardant Outside plant LSZH jacket grade, suitable for drop / aerial installations of up to 68 m. Can be routed indoor.

## Product Classification

<b>Regional Availability</b>	Asia   Australia/New Zealand   EMEA   North America
<b>Portfolio</b>	CommScope®
<b>Product Type</b>	Fiber indoor/outdoor cable

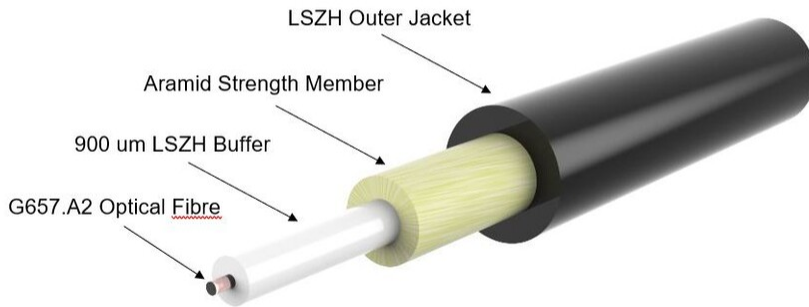
## General Specifications

<b>Cable Type</b>	Drop   Tight buffer
<b>Construction Type</b>	All Dielectric   Non-armored
<b>Subunit Type</b>	Gel-free
<b>Jacket Color</b>	Black
<b>Jacket Marking</b>	Meters
<b>Jacket Marking Method</b>	Inkjet
<b>Jacket Marking Text</b>	COMMSCOPE GB OPTICAL CABLE 810010113/DB 1x G657A2 SM LSZH [DOM] [SERIAL NUMBER] [METER MARK]
<b>Subunit, quantity</b>	1
<b>Fibers per Subunit, quantity</b>	1
<b>Total Fiber Count</b>	1

## Dimensions

<b>Buffer Tube/Subunit Diameter</b>	0.9 mm   0.035 in
<b>Diameter Over Jacket</b>	3 mm   0.118 in

## Representative Image



## Material Specifications

**Jacket Material** Low Smoke Zero Halogen (LSZH)

## Mechanical Specifications

<b>Minimum Bend Radius, loaded</b>	30 mm   1.181 in
<b>Tensile Load, long term, maximum</b>	300 N   67.443 lbf
<b>Tensile Load, short term, maximum</b>	620 N   139.382 lbf
<b>Compression</b>	20 N/mm   114.203 lb/in
<b>Compression Test Method</b>	IEC 60794-1 E3
<b>Impact</b>	2 N-m   17.701 in lb
<b>Impact Test Method</b>	IEC 60794-1 E4
<b>Strain</b>	See long and short term tensile loads
<b>Strain Test Method</b>	IEC 60794-1 E1
<b>Twist</b>	10 cycles
<b>Twist Test Method</b>	IEC 60794-1 E7

## Optical Specifications

**Fiber Type** G.657.A2, TeraSPEED®

## Environmental Specifications

<b>Installation temperature</b>	-10 °C to +60 °C (+14 °F to +140 °F)
<b>Operating Temperature</b>	-30 °C to +65 °C (-22 °F to +149 °F)
<b>Storage Temperature</b>	-30 °C to +60 °C (-22 °F to +140 °F)
<b>Cable Qualification Standards</b>	IEC 60794-1-2
<b>EN50575 CPR Cable EuroClass Fire Performance</b>	Dca
<b>EN50575 CPR Cable EuroClass Smoke Rating</b>	s1a
<b>EN50575 CPR Cable EuroClass Droplets Rating</b>	d0
<b>EN50575 CPR Cable EuroClass Acidity Rating</b>	a1
<b>Environmental Space</b>	Aerial   Drop   Ducted   Indoor/Outdoor
<b>Flame Test Listing</b>	EN 50399
<b>Flame Test Method</b>	IEC 60332-1-2   IEC 60754-2   IEC 61034-2
<b>Jacket UV Resistance</b>	UV stabilized
<b>Water Penetration</b>	24 h
<b>Water Penetration Test Method</b>	IEC 60794-1 F5

## Environmental Test Specifications

<b>Temperature Cycle</b>	-30 °C to +60 °C (-22 °F to +140 °F)
<b>Temperature Cycle Test Method</b>	IEC 60794-1-22 F1

## Packaging and Weights

<b>Cable weight</b>	8.7 kg/km   5.846 lb/kft
---------------------	--------------------------

## Regulatory Compliance/Certifications

<b>Agency</b>	<b>Classification</b>
CHINA-ROHS	Below maximum concentration value
REACH-SVHC	Compliant as per SVHC revision on <a href="https://www.commscope.com/ProductCompliance">www.commscope.com/ProductCompliance</a>
ROHS	Compliant
UK-ROHS	Compliant



## \* Footnotes

**Operating Temperature** Specification applicable to non-terminated bulk fiber cable