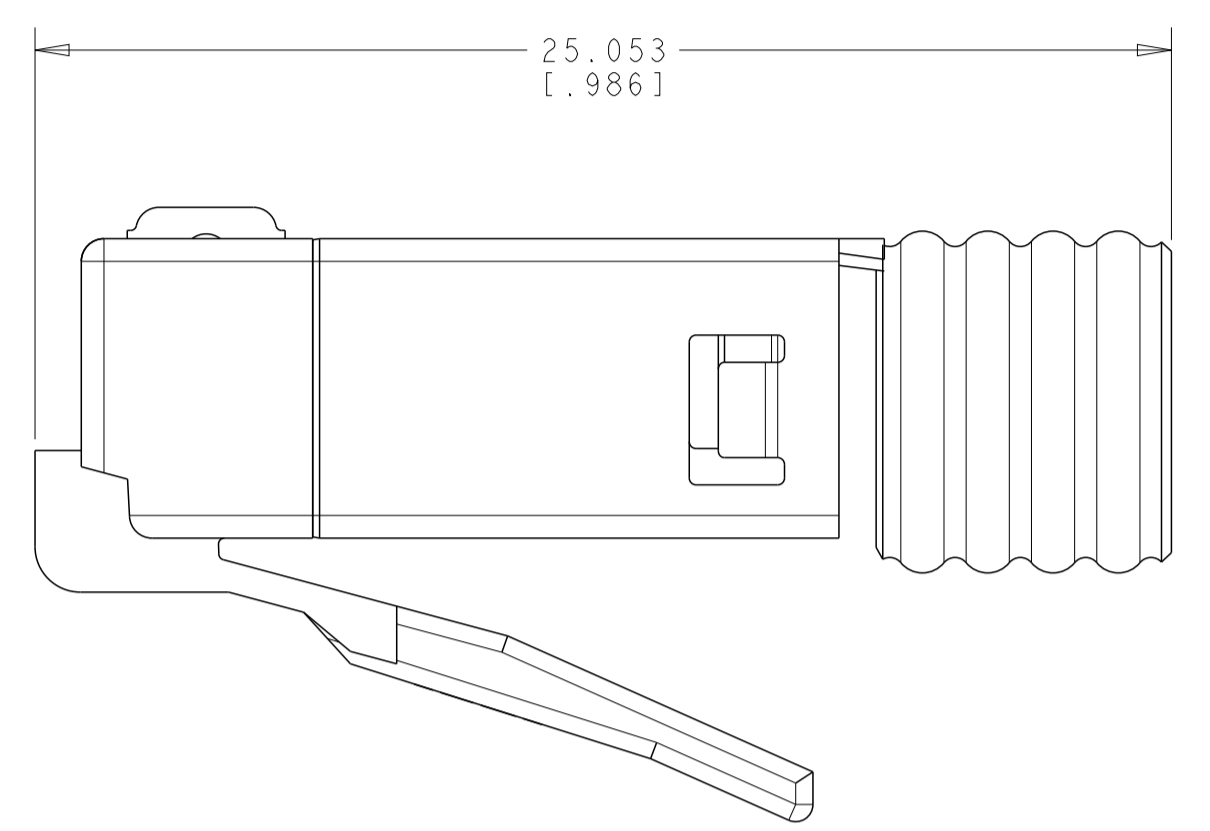
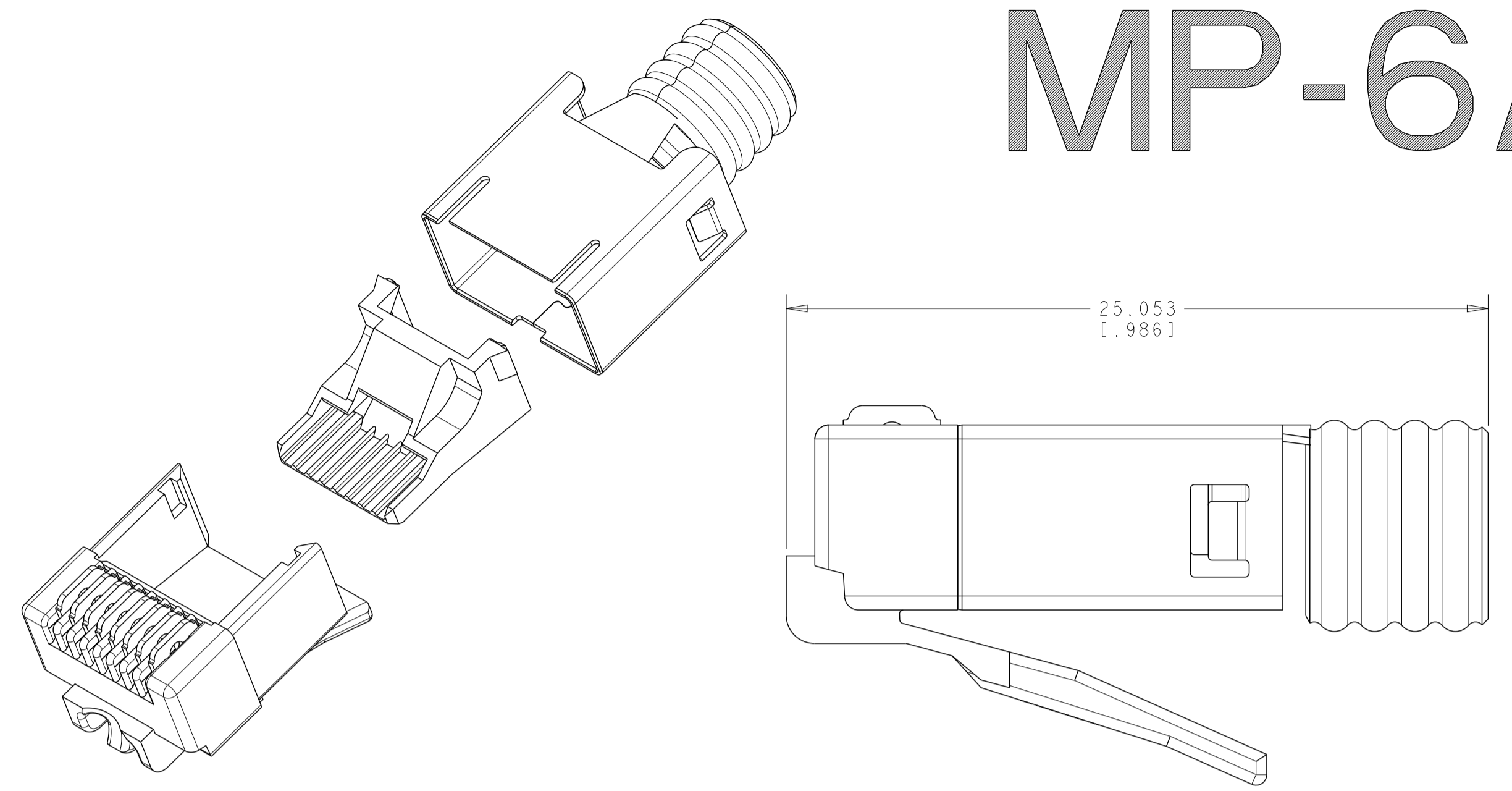


REVISIONS			
REV	CMO	DATE	APPROVED
D	40097734CMO	13-SEP-2019	MS
E	40212164CMO	9-JAN-2025	TMS

MP-6AS-

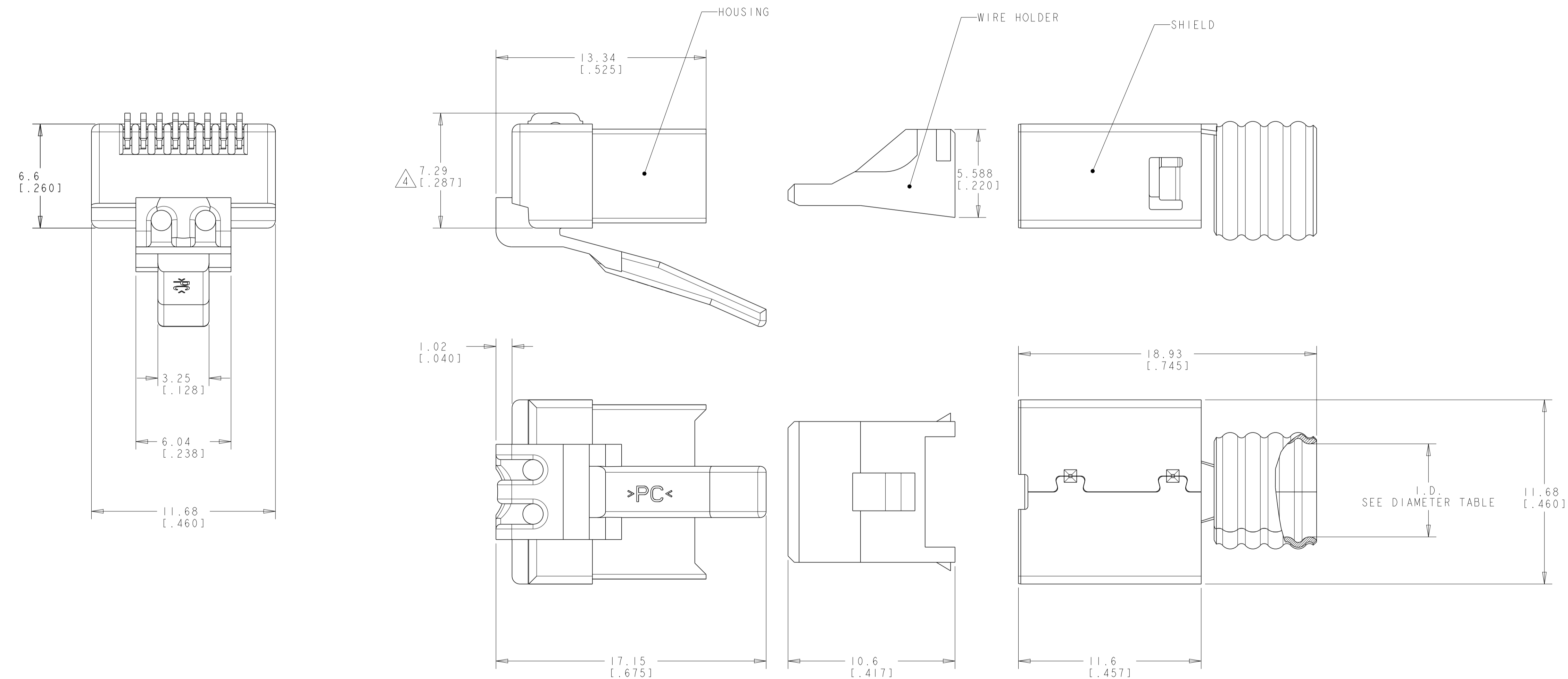


DIAMETER TABLE	
B:	5.1 - 6.0 MM [.201 - .236] IN
C:	5.7 - 7.0 MM [.224 - .276] IN

PACKAGE SIZE	
5	= 500
1	= 100

- MATERIAL: HOUSING - 94V-0 RATED POLYCARBONATE CLEAR
TERMINAL - 0.305 [0.012] THICK PHOSPHOR BRONZE PLATED WITH 1.27 μm [0.00005] MINIMUM THICK GOLD IN LOCALIZED AREA, OVER 2.54 μm [0.000100] MINIMUM THICK NICKEL UNDERPLATE.
WIRE HOLDER - POLYCARBONATE ORANGE.
SHIELD - BRASS WITH 0.8 μm [0.00031] MINIMUM NICKEL PLATED.
- DIMENSIONS ARE NOMINAL UNLESS OTHERWISE SPECIFIED.
- PLUG WILL ACCEPT A 24-26 AWG STRANDED CONDUCTOR WITH A SINGLE INSULATION OF 0.89 - 1.09 [0.035 - .043] OR 23-24 AWG SOLID CONDUCTOR WITH A SINGLE INSULATION OF 0.89 - 1.09 [0.035 - .043]. THE SUM OF DIAMETERS FOR ALL EIGHT CONDUCTORS WITHIN THE CABLE MUST NOT EXCEED 7.8MM.
- TERMINATED DIMENSION 5.89 [0.232] - 6.15 [0.242].
- SLIM-LINE MODULAR PLUG BOOT, PN 2153256-1 FOR "B" VERSION AND PN 2153257-1 FOR "C" VERSION.
- UL RECOGNIZED: FILE NUMBER E114344.

FULLY ASSEMBLED



100	5.7-7.0MM [.224-.276IN]	6-2111984-3	MP-6AS-C-1
500	5.7-7.0MM [.224-.276IN]	6-2111984-2	MP-6AS-C-5
100	5.1-6.0MM [.201-.236IN]	6-2111981-3	MP-6AS-B-1
500	5.1-6.0MM [.201-.236IN]	6-2111981-2	MP-6AS-B-5
PACKAGE	CABLE DIAMETER	MATERIAL	CATALOG NUMBER

UNITS	mm [INCHES]	COMMSCOPE, INC.	
TOLERANCE	VALUE	DRAFTER	G. GARRETT
0 PLC	-	ENGINEER	J. GENIAC
1 PLC	-	SIZE	A1
2 PLC	-	SCALE	6:1
3 PLC	-	DOCUMENT NO.	2843000
4 PLC	-	REVISION	E
ANGLE TOL	-	CUSTOMER DRAWING	
SURFACE TOL	-	REVISION	SHEET
		E	1 OF 1