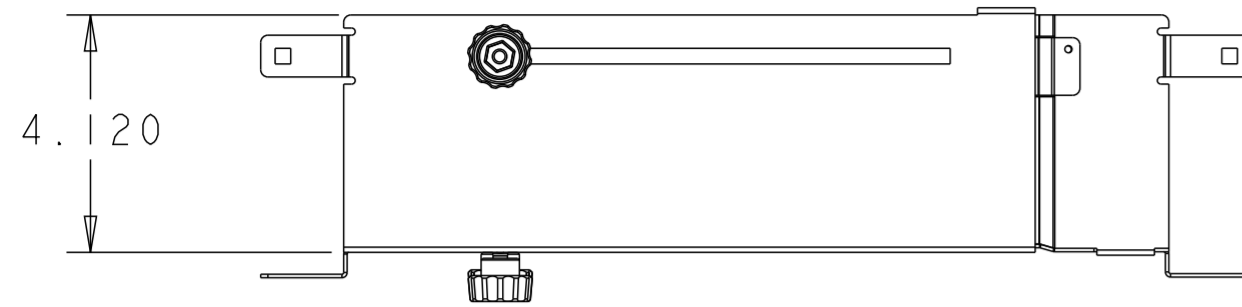
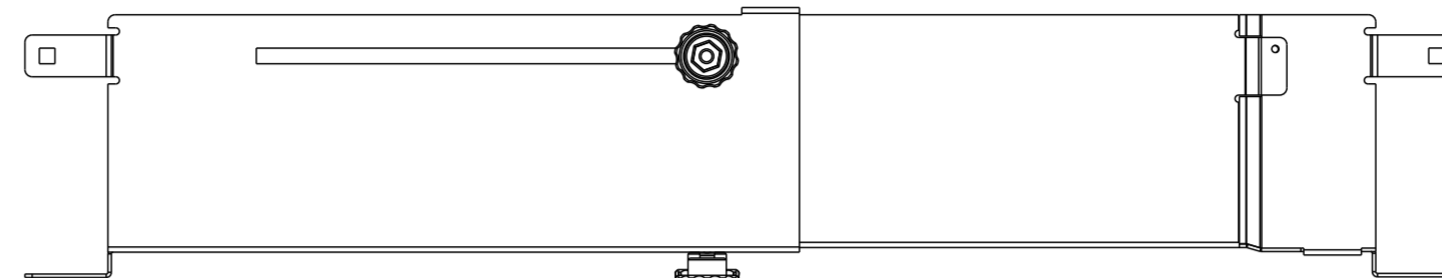


FGS, STRAIGHT EXPAND 4X24

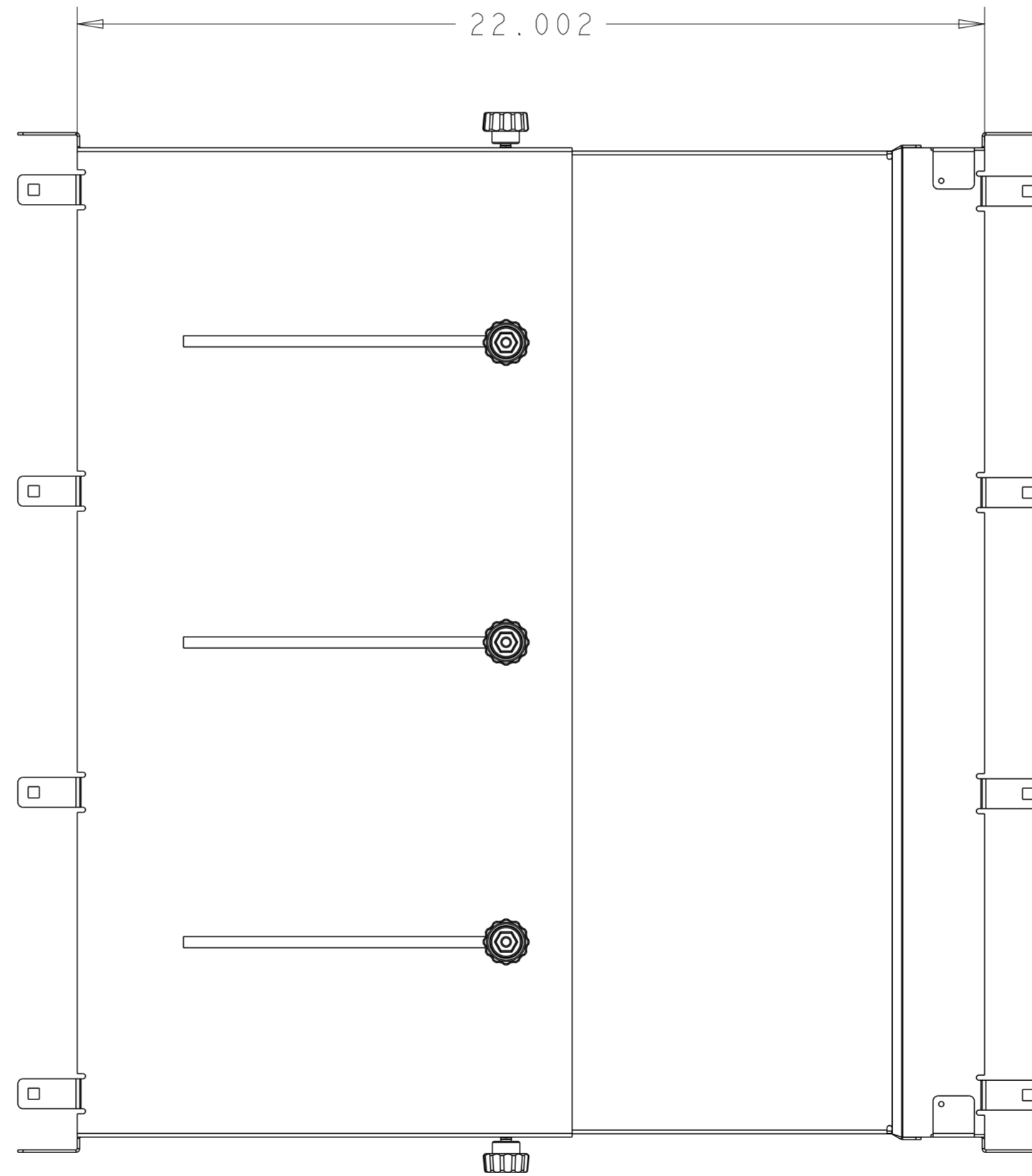
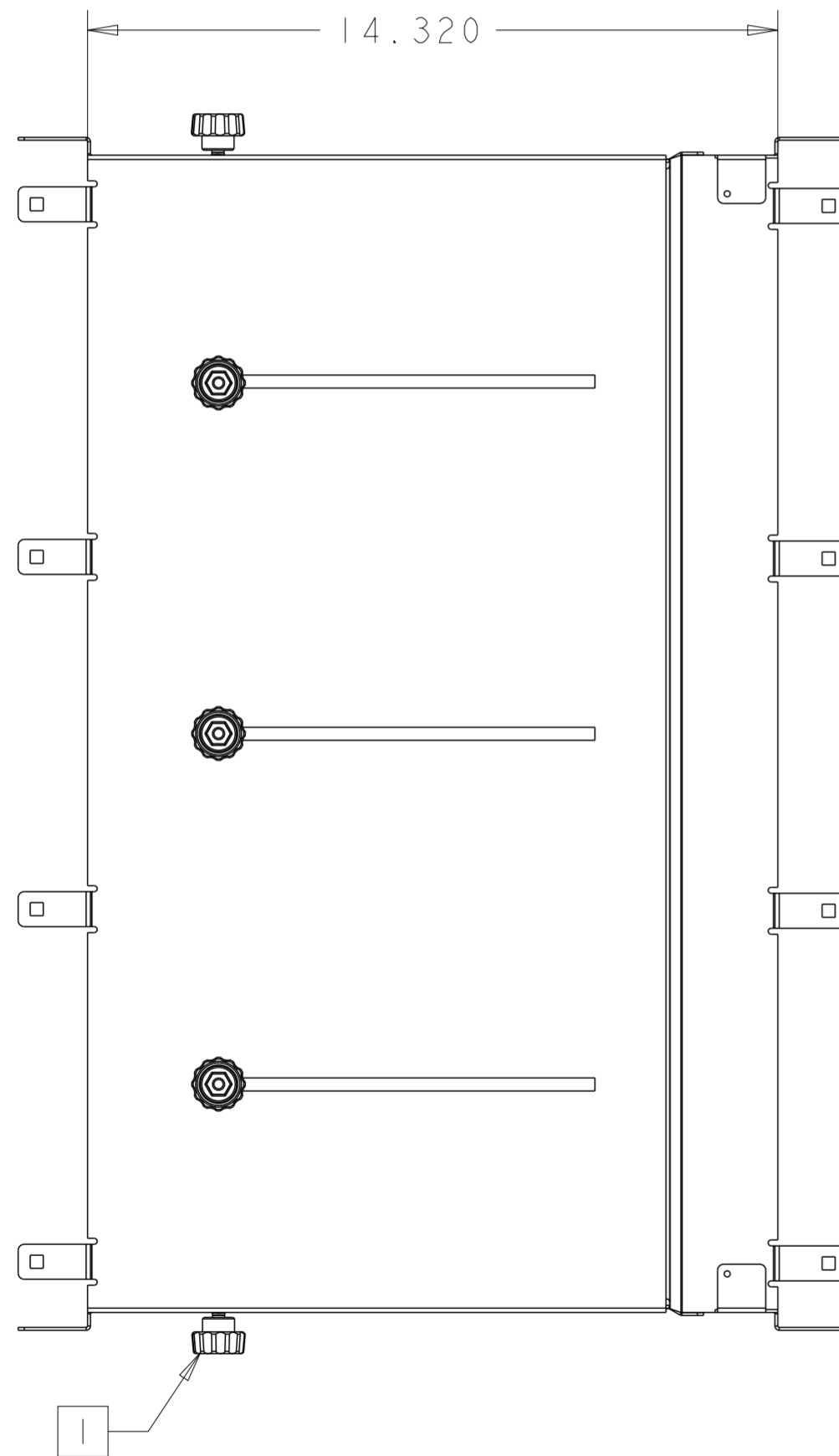
REVISIONS			
REV	CMO	DATE	APPROVED
A	40206788CMO	18-FEB-2025	RAT



CLOSE
SCALE 0.300



OPEN
SCALE 0.300



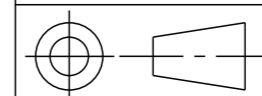
PART LIST		
ITEM	DESCRIPTION	QTY
001	STRAIGHT EXPAND, OUTER, 24FGS	1
002	STRAIGHT EXPAND, INNER, 24FGS, WELD	1
003	KNOB, PLASTIC FGS	17
004	HEXAGONAL HEAD SCREW 1/4-20	4
005	ROUND HEAD SCREW 1/4-20	13

FGSB-MVAR-H	BLACK
FGS-MVAR-H	YELLOW
CATALOG NUMBER	COLOR

NOTE :

 TO OPEN OR CLOSE THE ASSEMBLY, SLIGHTLY LOOSEN THE KNOBS TO OBTAIN THE NECESSARY DISTANCE.

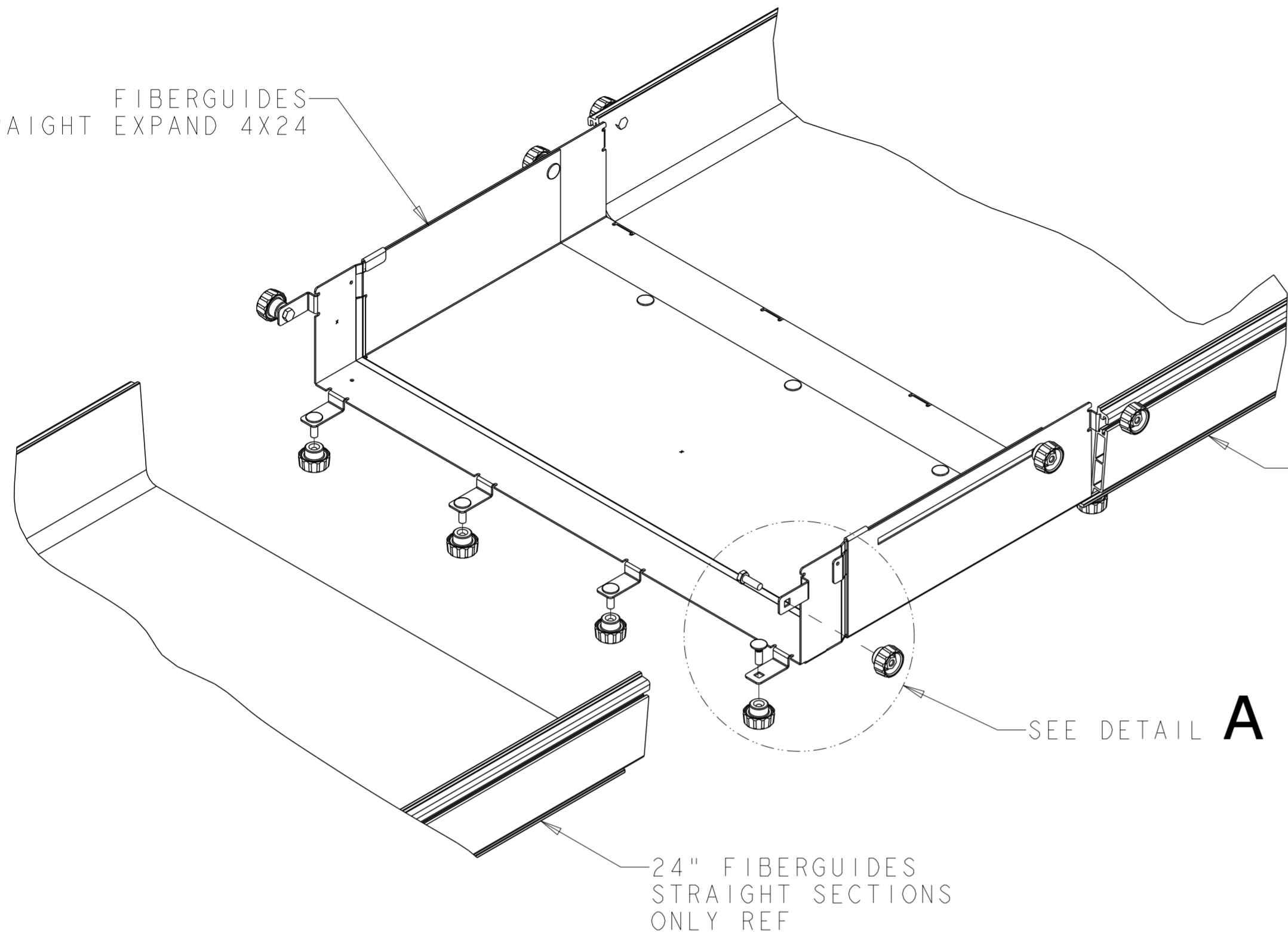
COMMSCOPE, INC.			
DRAFTER RUBEN ARVILLA	TITLE INSTALL DWG, FGS STRAIGHT EXPAND 4X24		
ENGINEER RUBEN ARVILLA	SIZE A2	SCALE 0.125	DOCUMENT NO. 660106393
CUSTOMER DRAWING			REVISION A
			SHEET 1 OF 2



A
B
C
D
E
F
G
H

A
B
C
D
E
F
G
H

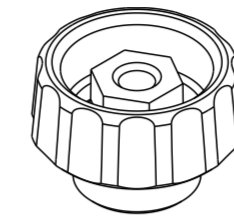
FIBERGUIDES
STRAIGHT EXPAND 4X24



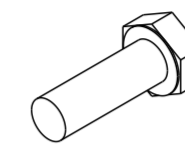
24" FIBERGUIDES
STRAIGHT SECTIONS
ONLY REF

SEE DETAIL **A**

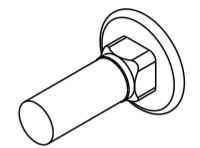
24" FIBERGUIDES
STRAIGHT SECTIONS
ONLY REF



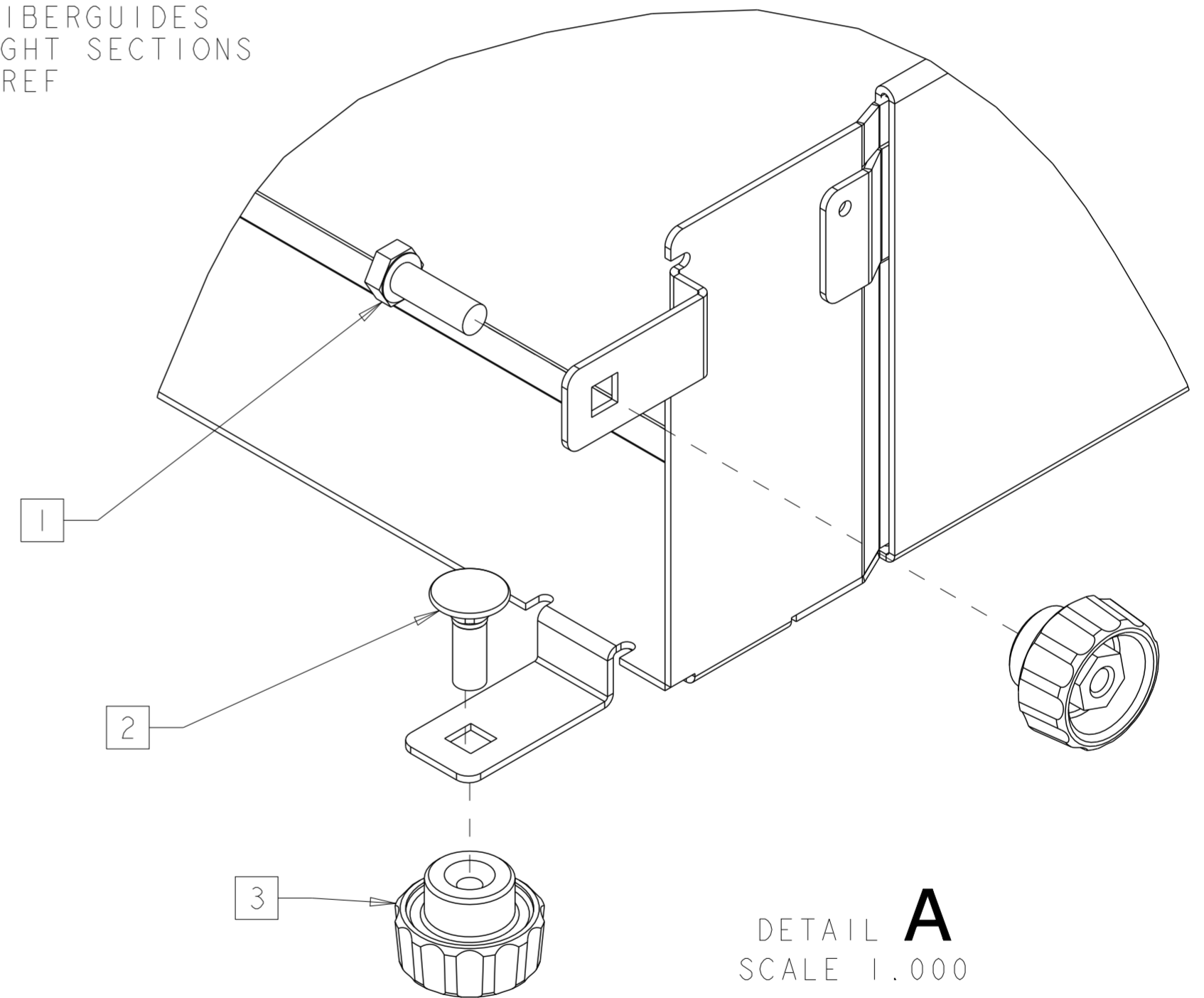
3 KNOB
SCALE 1.000



1 HEXAGONAL
HEAD SCREW
SCALE 1.000



2 ROUND
HEAD SCREW
SCALE 1.000



DETAIL **A**
SCALE 1.000

ASSEMBLY INSTRUCTIONS:

- 1** INSERT (4) HEXAGONAL HEAD SCREW 1/4-20 INTO THE LATERAL WALLS TAB HOLES ON THE EXPAND, ONE SCREW PER TAB, WITH THE SCREW HEADS ON THE INSIDE OF THE ADAPTER. SEE DETAIL A.
- 2** INSERT (8) ROUND HEAD SCREW 1/4-20 INTO THE BASE TAB HOLES ON THE ADAPTER, ONE SCREW PER TAB, WITH THE SCREW HEADS ON THE INSIDE OF THE ADAPTER. SEE DETAIL A.
- 3** ASSEMBLY THE (12) PLASTIC KNOBS ON EACH SCREW. SEE DETAIL A
- 4.** SLIDE THE TABS WITH THE ASSEMBLED SCREW COMPLETELY INTO THE T-CHANNELS ON THE 24" FIBERGUIDES STRAIGHT SECTIONS.

COMMSCOPE, INC.			
DRAFTER RUBEN ARVILLA		TITLE	
ENGINEER RUBEN ARVILLA		SIZE A2	SCALE 0.125
		DOCUMENT NO. 660106393	
CUSTOMER DRAWING			REVISION A
			SHEET 2 OF 2