

Fiber indoor/outdoor cable, TeraSPEED® Plenum Distribution, interlocking aluminum armored with plenum jacket, Multimode /Singlemode, 24 fiber single-unit, Black jacket color, Feet cable marking

Product Classification

Regional Availability

Asia | Australia/New Zealand | Latin America | Middle East/Africa | North America

Portfolio

CommScope®

Product Type

Fiber indoor/outdoor cable

Product Series

P-OZ

General Specifications

Armor Type

Interlocking aluminum

Cable Type

Distribution

Construction Type

Armored

Jacket Color

Black

Jacket Marking

Feet

Composite Fiber Count

12 + 12

Total Fiber Count

24

Dimensions

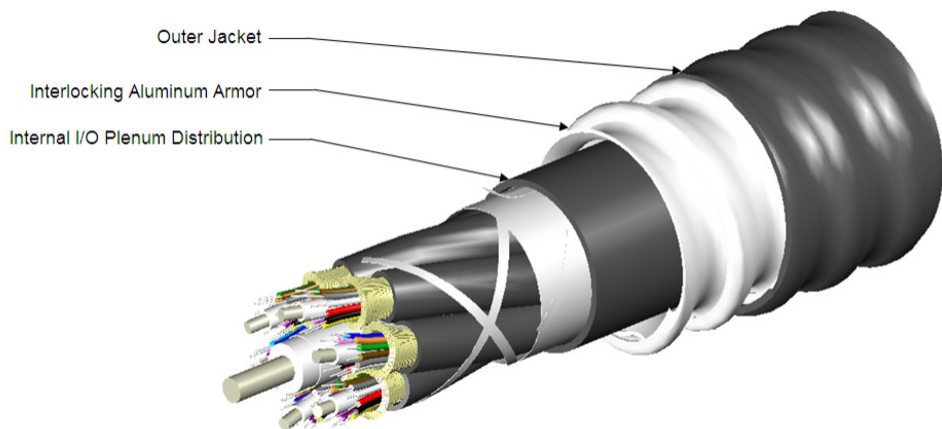
Diameter Over Armor

13.34 mm | 0.525 in

Diameter Over Jacket

15.4 mm | 0.606 in

Representative Image



Mechanical Specifications

Minimum Bend Radius, loaded	231 mm 9.094 in
Minimum Bend Radius, unloaded	154 mm 6.063 in
Tensile Load, long term, maximum	400 N 89.924 lbf
Tensile Load, short term, maximum	1335 N 300.12 lbf
Compression	85 N/mm 485.363 lb/in
Compression Test Method	FOTP-41 IEC 60794-1 E3
Flex	25 cycles
Flex Test Method	FOTP-104 IEC 60794-1 E6
Impact	35 N-m 309.776 in lb
Impact Test Method	FOTP-25 IEC 60794-1 E4
Strain	See long and short term tensile loads
Strain Test Method	FOTP-33 IEC 60794-1 E1
Twist	10 cycles
Twist Test Method	FOTP-85 IEC 60794-1 E7
Vertical Rise, maximum	187 m 613.517 ft

Optical Specifications

Fiber Type	Composite MM/SM G.652.D and G.657.A1, TeraSPEED® OM3, LazrSPEED® 300
-------------------	--

Environmental Specifications

760190793 | P-024-OZ-CM-FSUBK/8W012/5L012

Installation temperature	-30 °C to +70 °C (-22 °F to +158 °F)
Operating Temperature	-25 °C to +70 °C (-13 °F to +158 °F)
Storage Temperature	-40 °C to +75 °C (-40 °F to +167 °F)
Cable Qualification Standards	ANSI/ICEA S-104-696 Telcordia GR-20 (water penetration for internal cable) Telcordia GR-409
Environmental Space	Plenum
Flame Test Listing	NEC OFCP (ETL) and c(ETL)
Flame Test Method	NFPA 130 NFPA 262
Jacket UV Resistance	UV stabilized
Water Penetration	24 h
Water Penetration Test Method	FOTP-82 IEC 60794-1 F5

Environmental Test Specifications

Cable Freeze Test Method	IEC 60794-1 F15
Heat Age	-40 °C to +85 °C (-40 °F to +185 °F)
Heat Age Test Method	IEC 60794-1 F9
Low High Bend	-40 °C to +70 °C (-40 °F to +158 °F)
Low High Bend Test Method	FOTP-37 IEC 60794-1 E11
Temperature Cycle	-40 °C to +70 °C (-40 °F to +158 °F)
Temperature Cycle Test Method	FOTP-3 IEC 60794-1 F1

Packaging and Weights

Cable weight	218 kg/km 146.489 lb/kft
---------------------	----------------------------

Regulatory Compliance/Certifications

Agency	Classification
ISO 9001:2015	Designed, manufactured and/or distributed under this quality management system

Included Products

CS-5L-TB	- LazrSPEED® 300 OM3 Bend-Insensitive Multimode Fiber
CS-8W-TB	- TeraSPEED® Singlemode Fiber

* Footnotes

Operating Temperature Specification applicable to non-terminated bulk fiber cable