

Fiber Indoor Cable, LSZH Riser, All-Dielectric, Central Tube Ribbon, Multimode, OM3, bend insensitive, 36 Fibers, Gel-free, Feet jacket marking, Aqua jacket color

## Product Classification

|                              |   |
|------------------------------|---|
| <b>Regional Availability</b> | Asia   Australia/New Zealand   EMEA   Latin America   North America |
| <b>Portfolio</b>             | CommScope®  |
| <b>Product Type</b>          | Fiber indoor cable  |
| <b>Product Series</b>        | N-CN  |

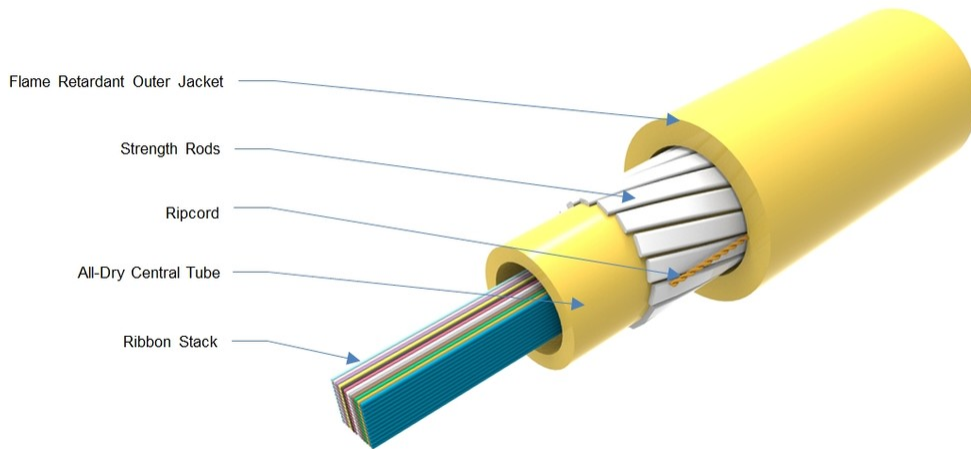
## General Specifications

|                                    |                     |
|------------------------------------|---------------------|
| <b>Cable Type</b>                  | Ribbon central tube |
| <b>Construction Type</b>           | Non-armored         |
| <b>Subunit Type</b>                | Gel-free            |
| <b>Fibers per Ribbon, quantity</b> | 12                  |
| <b>Jacket Color</b>                | Aqua                |
| <b>Jacket Marking</b>              | Feet                |
| <b>Total Fiber Count</b>           | 36                  |

## Dimensions

|                                     |                  |
|-------------------------------------|------------------|
| <b>Buffer Tube/Subunit Diameter</b> | 6 mm   0.236 in  |
| <b>Diameter Over Jacket</b>         | 9.4 mm   0.37 in |

## Representative Image



## Mechanical Specifications

|  |                                       |
|--|---------------------------------------|
| <b>Minimum Bend Radius, loaded</b>       | 188 mm   7.402 in                     |
| <b>Minimum Bend Radius, unloaded</b>     | 94 mm   3.701 in                      |
| <b>Tensile Load, long term, maximum</b>  | 334 N   75.086 lbf                    |
| <b>Tensile Load, short term, maximum</b> | 1335 N   300.12 lbf                   |
| <b>Compression</b>                       | 10 N/mm   57.101 lb/in                |
| <b>Compression Test Method</b>           | FOTP-41   IEC 60794-1 E3              |
| <b>Flex</b>                              | 25 cycles                             |
| <b>Flex Test Method</b>                  | FOTP-104   IEC 60794-1 E6             |
| <b>Impact</b>                            | 2.94 N-m   26.021 in lb               |
| <b>Impact Test Method</b>                | FOTP-25   IEC 60794-1 E4              |
| <b>Strain</b>                            | See long and short term tensile loads |
| <b>Strain Test Method</b>                | FOTP-33   IEC 60794-1 E1              |
| <b>Twist</b>                             | 10 cycles                             |
| <b>Twist Test Method</b>                 | FOTP-85   IEC 60794-1 E7              |

## Optical Specifications

|                   |   |
|-------------------|---|
| <b>Fiber Type</b> | OM3, bend insensitive   OM3, bend insensitive |
|-------------------|---|

## Environmental Specifications

|                                 |                                     |
|---------------------------------|-------------------------------------|
| <b>Installation temperature</b> | 0 °C to +70 °C (+32 °F to +158 °F)  |
| <b>Operating Temperature</b>    | -20 °C to +70 °C (-4 °F to +158 °F) |

# 760212241 | N-036-CN-RB-F12AQ/5Y/99E

---

|                                      |   |
|--------------------------------------|---|
| <b>Storage Temperature</b>           | -40 °C to +70 °C (-40 °F to +158 °F)                        |
| <b>Cable Qualification Standards</b> | ANSI/ICEA S-83-596   Telcordia GR-409                       |
| <b>Environmental Space</b>           | Low Smoke Zero Halogen (LSZH)   Riser                       |
| <b>Flame Test Listing</b>            | NEC OFNR-ST1 (UL) and c(UL)                                 |
| <b>Flame Test Method</b>             | IEC 60332-3   IEC 60754-2   IEC 61034-2   UL 1666   UL 1685 |

## Environmental Test Specifications

|                                      |                                     |
|--------------------------------------|-------------------------------------|
| <b>Heat Age</b>                      | -20 °C to +85 °C (-4 °F to +185 °F) |
| <b>Heat Age Test Method</b>          | IEC 60794-1 F9                      |
| <b>Low High Bend</b>                 | -20 °C to +70 °C (-4 °F to +158 °F) |
| <b>Low High Bend Test Method</b>     | FOTP-37   IEC 60794-1 E11           |
| <b>Temperature Cycle</b>             | -20 °C to +70 °C (-4 °F to +158 °F) |
| <b>Temperature Cycle Test Method</b> | FOTP-3   IEC 60794-1 F1             |

## Packaging and Weights

|                     |                          |
|---------------------|--------------------------|
| <b>Cable weight</b> | 90 kg/km   60.477 lb/kft |
|---------------------|--------------------------|

## Regulatory Compliance/Certifications

| <b>Agency</b> | <b>Classification</b>  |
|---------------|--|
| ISO 9001:2015 | Designed, manufactured and/or distributed under this quality management system |

## Included Products

|          |   |
|----------|---|
| CS-5Y-RB | - 50µm OM3 Bend-Insensitive Multimode Fiber |
|----------|---|

## \* Footnotes

**Operating Temperature** Specification applicable to non-terminated bulk fiber cable