

IFDB Fiber Optic Wall Box with Universal splice holder for up to 18 mechanical or SMOUV splices

- Allows splicing those fibers from an indoor riser cable to the individual drops
- Allows fibers from certain riser cables to be broken out without interrupting the strength member
- Separate storage of un-connected fibers from spliced drop fibers
- Compatible with mechanical, SMOUV and ANT splice protectors
- In-line and butt configuration possible for main riser cable

## Product Classification

<b>Regional Availability</b>	EMEA
<b>Product Type</b>	Fiber wall box
<b>Product Series</b>	IFDB

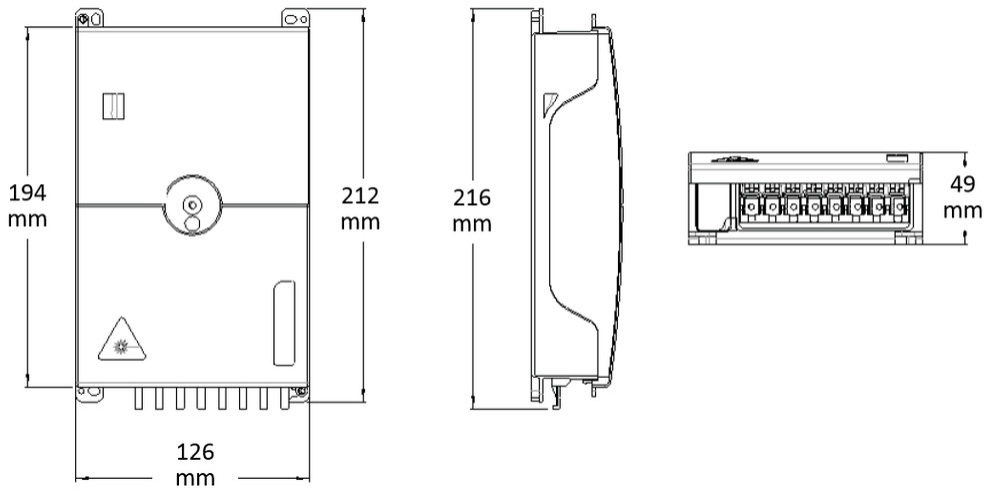
## General Specifications

<b>Functionality</b>	Splicing
<b>Adapters, quantity</b>	0
<b>Color</b>	Light gray
<b>Front Cover Type</b>	Screw-on
<b>Interface</b>	Splicing only
<b>Mounting</b>	Floor   Wall
<b>Splice Tray Chip Type</b>	Mechanical   SMOUV
<b>Splicing Capacity, maximum</b>	18

## Dimensions

<b>Height</b>	200 mm   7.874 in
<b>Width</b>	126 mm   4.961 in
<b>Depth</b>	50 mm   1.969 in

## Outline Drawing



## Material Specifications

**Material Type** Thermoplastic

## Environmental Specifications

**Environmental Space** Indoor

**Flammability Rating** UL 94 V-0

**Qualification Standards** IEC 60529, IP30

## Packaging and Weights

**Packaging quantity** 1

**Packaging Type** Bag | Carton

## Regulatory Compliance/Certifications

Agency	Classification
CHINA-ROHS	Below maximum concentration value
REACH-SVHC	Compliant as per SVHC revision on <a href="https://www.commscope.com/ProductCompliance">www.commscope.com/ProductCompliance</a>
ROHS	Compliant
UK-ROHS	Compliant

