

CZ4530-000 | FOWB-T-P08S1



FOWB Fiber Optic Wall Box, 8 singlemode SC/UPC adapters with pigtails

OBSOLETE

Replaced By:

CW6634-000
BUDI-2S-T-08S1ES

BUDI Fiber Optic Wall mount Enclosure, 8 SC/UPC adapters, single element FIST splice trays for SMOUV splices

Product Classification

Regional Availability	EMEA
Product Type	Fiber wall box
Product Series	FOWB

General Specifications

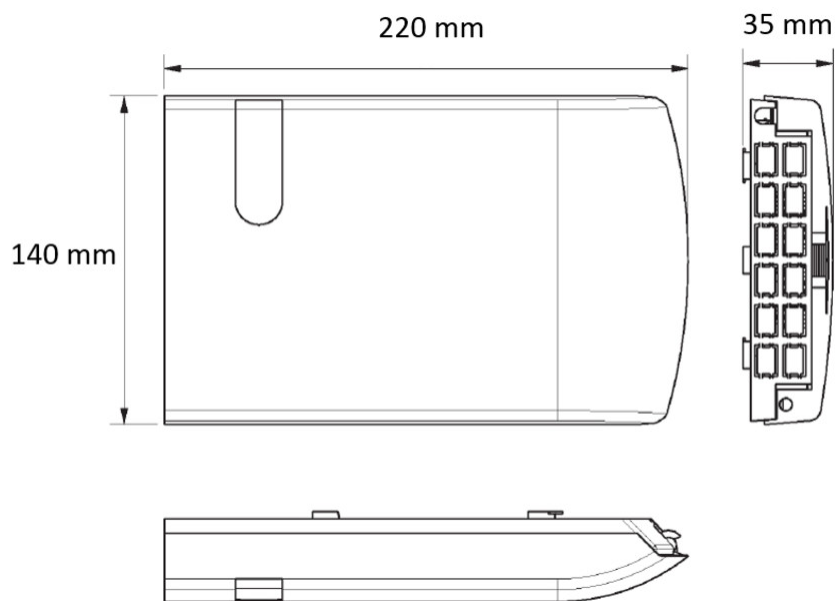
Adapters, quantity	8
Cable Type	Pigtails - Stranded
Color	Light gray
Interface	SC/UPC
Mounting	Wall
Port, quantity	8
Splicing Capacity, maximum	24

Dimensions

Height	220 mm 8.661 in
Width	140 mm 5.512 in
Depth	35 mm 1.378 in

Outline Drawing

CZ4530-000 | FOWB-T-P08S1



Material Specifications

Material Type Thermoplastic

Optical Specifications

Fiber Mode Singlemode

Environmental Specifications

Operating Temperature -25 °C to +70 °C (-13 °F to +158 °F)

Environmental Space Indoor

Flammability Rating UL 94 V-0

Packaging and Weights

Packaging quantity 1

Regulatory Compliance/Certifications

Agency	Classification
CHINA-ROHS	Below maximum concentration value
REACH-SVHC	Compliant as per SVHC revision on www.commscope.com/ProductCompliance
ROHS	Compliant
UK-ROHS	Compliant



Included Products

- CZ8468-000 FOWB Fiber Optic Wall Box, empty for holding up to 12
- FOWB-T-NNNNN adapters



FOWB Fiber Optic Wall Box, empty for holding up to 12 adapters

Product Classification

Regional Availability	EMEA
Product Type	Fiber wall box
Product Series	FOWB

General Specifications

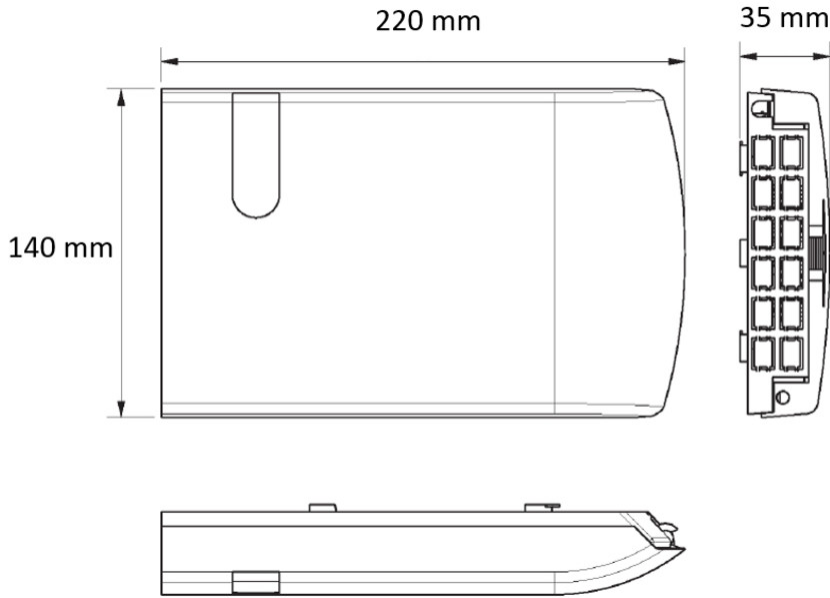
Adapters, quantity	0
Color	Light gray
Interface	Unloaded
Mounting	Wall
Splicing Capacity, maximum	24

Dimensions

Height	220 mm 8.661 in
Width	140 mm 5.512 in
Depth	35 mm 1.378 in

Outline Drawing

CZ8468-000 | FOWB-T-NNNNN



Material Specifications

Material Type Thermoplastic

Environmental Specifications

Operating Temperature -25 °C to +70 °C (-13 °F to +158 °F)

Environmental Space Indoor

Flammability Rating UL 94 V-0

Packaging and Weights

Packaging quantity 1

Regulatory Compliance/Certifications

Agency	Classification
CHINA-ROHS	Below maximum concentration value
REACH-SVHC	Compliant as per SVHC revision on www.commscope.com/ProductCompliance
ROHS	Compliant
UK-ROHS	Compliant

