

CZ7812-000 | FOWB-T-A24L2



FOWB Fiber Optic Wall Box, 12 singlemode duplex LC/APC adapters only

OBSOLETE

Replaced By:

CW7861-000 BUDI Fiber Optic Wall mount Enclosure, 24 LC/APC ports, single element FIST splice trays for 32
BUDI-1S-T-A-24L232ES SMOUV splices

Product Classification

Regional Availability	EMEA
Product Type	Fiber wall box
Product Series	FOWB

General Specifications

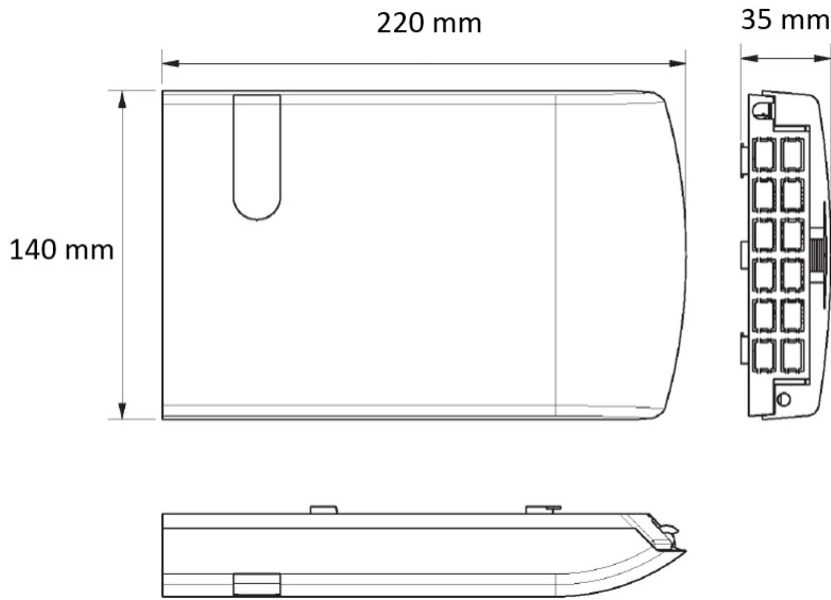
Adapters, quantity	12
Color	Light gray
Interface	LC/APC
Mounting	Wall
Port, quantity	24
Splicing Capacity, maximum	24

Dimensions

Height	220 mm 8.661 in
Width	140 mm 5.512 in
Depth	35 mm 1.378 in

Outline Drawing

CZ7812-000 | FOWB-T-A24L2



Material Specifications

Material Type Thermoplastic

Optical Specifications

Fiber Mode Singlemode

Environmental Specifications

Operating Temperature -25 °C to +70 °C (-13 °F to +158 °F)

Environmental Space Indoor

Flammability Rating UL 94 V-0

Packaging and Weights

Packaging quantity 1

Regulatory Compliance/Certifications

Agency	Classification
CHINA-ROHS	Below maximum concentration value
REACH-SVHC	Compliant as per SVHC revision on www.commscope.com/ProductCompliance
ROHS	Compliant
UK-ROHS	Compliant



Included Products

- CZ8468-000 FOWB Fiber Optic Wall Box, empty for holding up to 12
- FOWB-T-NNNNN adapters