



BUDI™ Fiber Optic Wall mount Enclosure, 4 SC/APC adapters, single element FIST splice trays for SMOUV splices

- Compact, wall mountable fiber enclosures for indoor and outdoor use
- Specifically designed for fast FTTH deployment and easy customer connection
- Available with splicing (FIST) and/or patching and/or splitter combinations
- Multiple and modular wrap around cable port sealing options

## Product Classification

<b>Regional Availability</b>	EMEA
<b>Product Type</b>	Fiber wall box
<b>Product Brand</b>	BUDI™
<b>Product Series</b>	BUDI-2S

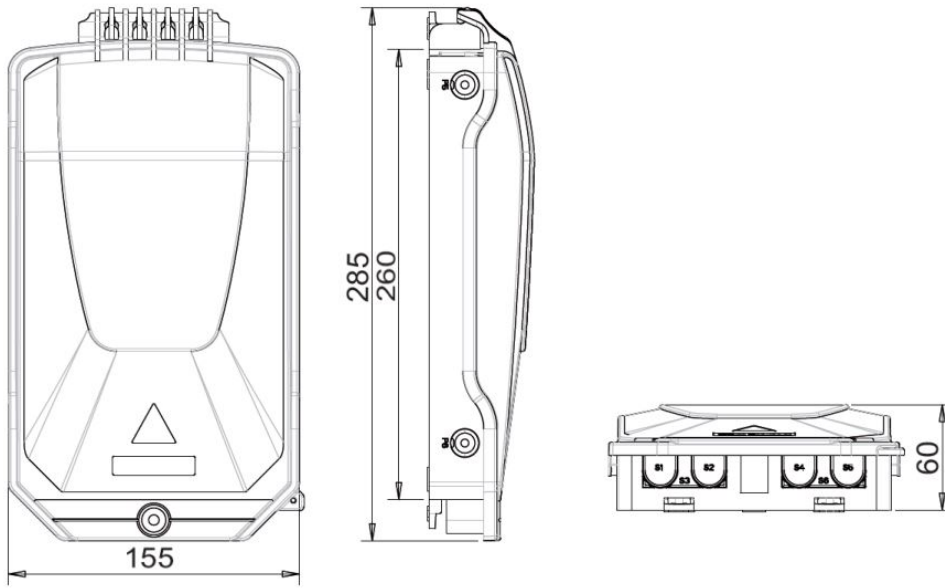
## General Specifications

<b>Functionality</b>	Patching   Splicing
<b>Access</b>	Front
<b>Enclosure Color</b>	Gray
<b>Front Cover Type</b>	Snap-on cover
<b>Interface</b>	SC/APC
<b>Mounting</b>	Wall
<b>Port, quantity</b>	4
<b>Splice Tray Construction</b>	SE (Single element)
<b>Splicing Capacity, maximum</b>	4

## Dimensions

<b>Height</b>	260 mm   10.236 in
<b>Height, with cover</b>	285 mm   11.22 in
<b>Width</b>	155 mm   6.102 in
<b>Depth</b>	60 mm   2.362 in

## Dimension Drawing



## Material Specifications

**Enclosure Material Type** LSZH thermoplastic

## Optical Specifications

**Fiber Mode** Singlemode

## Environmental Specifications

**Environmental Space** Indoor/Outdoor

**Qualification Standards** IEC 60529, IP54 | IEC 61753-1, category G

## Packaging and Weights

**Packaging quantity** 1

**Packaging Type** Box | Carton

## Regulatory Compliance/Certifications

Agency	Classification
CHINA-ROHS	Above maximum concentration value
ROHS	Compliant/Exempted
UK-ROHS	Compliant/Exempted



