

FD4S-A072J00JAB1



FDH4000, 72 distribution fibers, no splitters loaded, SC/APC, dry dielectric loose tube, 100ft stubs, using 1x72f distribution cable & 1x12f feeder cable

- Thermoplastic construction provides UV stabilization, flame retardancy, and chemical & impact resistance
- Provides air/water tight seal ensuring protection from flooding and fungus
- Unsurpassed reliability makes it ideal for aerial and below grade applications
- Supports diverse Plug-and-Play splitter and xWDM module Configurations

Product Classification

Regional Availability	Asia Australia/New Zealand EMEA Latin America North America
Product Type	Fiber distribution closure
Product Series	FDH 4000

General Specifications

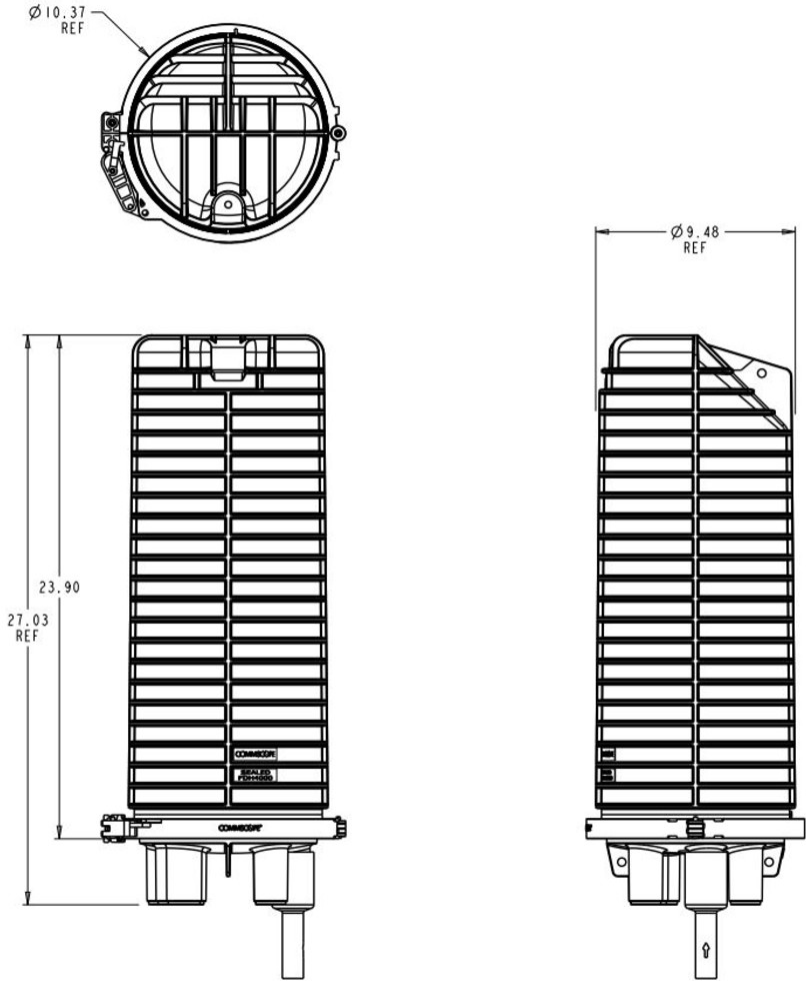
Access	Front
Cable Type	Dry Dielectric - Loose Tube
Color	Black
Distribution Cables, quantity	1
Distribution Ports, quantity	72
Fibers per Distribution Cable, quantity	72
Fibers per Feeder Cable, quantity	12
Interface, Input	SC
Interface Feature, Input	APC
Mounting	Handhole Pole Strand Wall
Splitter Slots, quantity	11

Dimensions

Height	685.8 mm 27 in
Width	241.3 mm 9.5 in
Cable Length	30.48 m 100 ft
Enclosure Size	Small

FD4S-A072J00JAB1

Dimension Drawing



Ordering Tree

