

# MST-OWXXX0-A0010U



DLX® Mini-MST, Fiber Optic Multiport Service Terminal, 2-port with 1x2 splitter, dielect. flat loose tube cable, Hardened mini-size DLX connector on stub end, 10 ft

- Hardened connectors are factory-terminated and environmentally sealed for use in optical drop cable deployments
- Plug and play adapter ports ensure rapid cable installment in the outside plant access section of the network
- Multiport Service Terminals incorporate hardened connector technology that is designed to withstand the rugged outside plant environment

## Product Classification

|                               |                                      |
|-------------------------------|--------------------------------------|
| <b>Regional Availability</b>  | Asia   Latin America   North America |
| <b>Product Type</b>           | Access terminal, with splitter       |
| <b>Product Brand</b>          | DLX®                                 |
| <b>Product Series</b>         | Mini-MST                             |
| <b>Minimum Order Quantity</b> | 2                                    |

## General Specifications

|                           |                                     |
|---------------------------|-------------------------------------|
| <b>Cable Type</b>         | Dielectric - Flat - Loose Tube      |
| <b>Cable, quantity</b>    | 1                                   |
| <b>Distribution Type</b>  | 1 x 2 splitter                      |
| <b>Enclosure Color</b>    | Black                               |
| <b>Mounting</b>           | Handhole   Pedestal   Pole   Strand |
| <b>Port Type</b>          | Hardened mini-size DLX              |
| <b>Port, quantity</b>     | 2                                   |
| <b>Splitter, quantity</b> | 1                                   |
| <b>Stub Type</b>          | Hardened mini-size DLX              |

## Dimensions

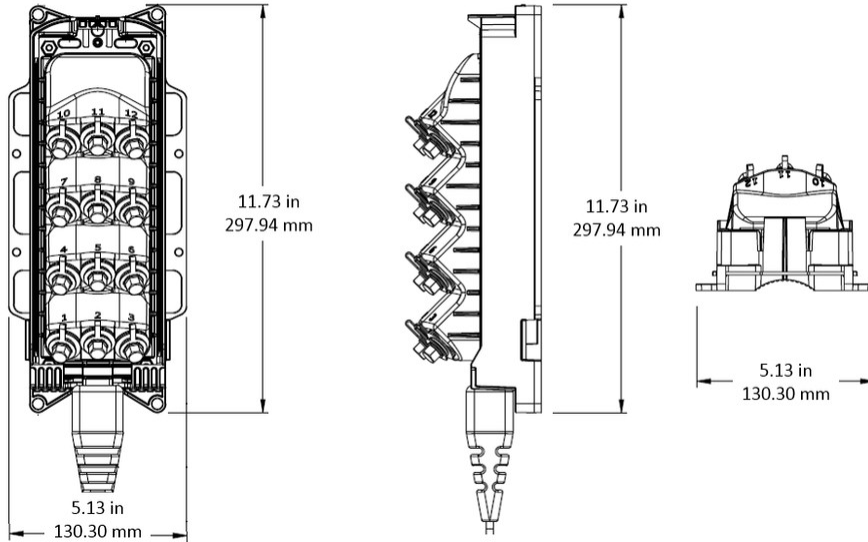
|                           |                    |
|---------------------------|--------------------|
| <b>Height</b>             | 298 mm   11.732 in |
| <b>Width</b>              | 130.3 mm   5.13 in |
| <b>Depth</b>              | 89 mm   3.504 in   |
| <b>Cable Length, stub</b> | 10 ft (3 m)        |

# MST-OWXXX0-A0010U

## Cable Outer Diameter

4.5 x 8.1 mm (0.18 x 0.32 in)

## Dimension Drawing



## Ordering Tree

MST - [ ] X X [ ] - [ ] [ ] [ ] [ ] [ ] [ ]

### Terminal model

|    |                |
|----|----------------|
| 02 | 2 ports        |
| 04 | 4 ports        |
| 06 | 6 ports        |
| 08 | 8 ports        |
| 12 | 12 ports       |
| 0N | 1 x 4 splitter |
| 0J | 1 x 8 splitter |
| 0W | 1 x 2 splitter |

### Cable termination

|    |  |
|----|--|
| 00 | Pigtail (No connector)                               |
| X0 | DLX connector (only available on splitter terminals) |

### Cable type

|   |   |
|---|---|
| A | Dielectric, flat, loose tube (44.3mm x 8.0mm)         |
| B | Locatable/tonable, flat, loose tube (44.3mm x 10.0mm) |

### Mounting style\*

|   |  |
|---|--|
| U | Universal: Terminal is on top of the spool; stub deploys first                 |
| A | Reversal Spool: Terminal is on the bottom of the spool; terminal deploys first |

\*0-300 ft lengths of cable is automatically coiled (option U), for lengths greater than 300 feet choose U or A option.

### Standard cable stub length

|      |          |      |            |
|------|----------|------|------------|
| 0050 | 50 feet  | 1000 | 1,000 feet |
| 0100 | 100 feet | 1250 | 1,250 feet |
| 0250 | 250 feet | 1500 | 1,500 feet |
| 0500 | 500 feet | 1750 | 1,750 feet |
| 0750 | 750 feet | 2000 | 2,000 feet |

Standard lengths shown; metric lengths available

## Material Specifications

### Enclosure Material Type

Gasketed hardened plastic

## Optical Specifications

# MST-OWXXX0-A0010U

---

|  |   |
|--|---|
| <b>Fiber Type</b>                                  | G.657.A1/A2                                 |
| <b>Operating Wavelength Range</b>                  | 1260 – 1635 nm                              |
| <b>Attenuation Cable Coefficient, maximum</b>      | 0.30 dB/km @ 1550 nm   0.40 dB/km @ 1310 nm |
| <b>Attenuation Splitter, maximum</b>               | 3.7 dB                                      |
| <b>Attenuation Terminal Connectors, maximum</b>    | 0.4 dB                                      |
| <b>Directivity, minimum</b>                        | 60 dB                                       |
| <b>Insertion Loss, Splitter, typical</b>           | 3.4 dB                                      |
| <b>Insertion Loss, Stub Connector, maximum</b>     | 0.4 dB                                      |
| <b>Insertion Loss, Stub Connector, typical</b>     | 0.16 dB                                     |
| <b>Insertion Loss, Terminal Connector, typical</b> | 0.16 dB                                     |
| <b>Return Loss, Connector, minimum</b>             | 65 dB                                       |
| <b>Return Loss, Single Ports, minimum</b>          | 55 dB                                       |

## Environmental Specifications

|                                |  |
|--------------------------------|--|
| <b>Operating Temperature</b>   | -40 °C to +70 °C (-40 °F to +158 °F)   |
| <b>Relative Humidity</b>       | 5%–100%, condensing  |
| <b>Environmental Space</b>     | Above ground   Below ground   Buried   |
| <b>Flammability Rating</b>     | UL 94 V-0  |
| <b>Qualification Standards</b> | IEC 60529, IP68 + 2 m waterhead   Telcordia GR-3120-CORE   Telcordia GR-326-CORE   Telcordia GR-771-CORE |
| <b>UV Resistance</b>           | UV stabilized  |

## Packaging and Weights

|                              |   |
|------------------------------|---|
| <b>Included</b>              | Enclosure (1)   Optical splitter (1)   Universal mounting bracket (1) |
| <b>Packaging quantity</b>    | 1   |
| <b>Packaging Type</b>        | Box   Carton  |
| <b>Weight, without cable</b> | 0.99 kg   2.183 lb  |

## Regulatory Compliance/Certifications

| <b>Agency</b> | <b>Classification</b>  |
|---------------|--|
| CHINA-ROHS    | Below maximum concentration value  |
| ISO 9001:2015 | Designed, manufactured and/or distributed under this quality management system   |
| REACH-SVHC    | Compliant as per SVHC revision on <a href="http://www.commscope.com/ProductCompliance">www.commscope.com/ProductCompliance</a> |

# MST-OWXXX0-A0010U

---

ROHS Compliant

UK-ROHS Compliant



## Included Products

MST-UMB-MINI – DLX® Mini-MST, Fiber Optic Universal Mounting Bracket

# MST-UMB-MINI

---



DLX® Mini-MST, Fiber Optic Universal Mounting Bracket

## Product Classification

|                              |                                      |
|------------------------------|--------------------------------------|
| <b>Regional Availability</b> | EMEA   Latin America   North America |
| <b>Product Type</b>          | Mounting bracket                     |
| <b>Product Brand</b>         | DLX®                                 |
| <b>Product Series</b>        | Mini-MST                             |

## General Specifications

|              |       |
|--------------|-------|
| <b>Color</b> | Black |
|--------------|-------|

## Environmental Specifications

|                            |         |
|----------------------------|---------|
| <b>Environmental Space</b> | Outdoor |
|----------------------------|---------|

## Packaging and Weights

|                           |              |
|---------------------------|--------------|
| <b>Packaging quantity</b> | 1            |
| <b>Packaging Type</b>     | Bag   Carton |

## Regulatory Compliance/Certifications

| <b>Agency</b> | <b>Classification</b>   |
|---------------|---|
| CHINA-ROHS    | Below maximum concentration value   |
| REACH-SVHC    | Compliant as per SVHC revision on <a href="https://www.commscope.com/ProductCompliance">www.commscope.com/ProductCompliance</a> |
| ROHS          | Compliant   |
| UK-ROHS       | Compliant   |

