

NDX-06BTMOU-A0600F



DLX® Fiber Indexing Terminal, 1x4 Splitter, 4 Forward Ports, 1 Reverse Port, Dielectric Flat Loose Tube Cable, 600 Feet

Product Classification

Regional Availability	North America
Product Type	Access terminal, indexed with splitter
Product Brand	DLX®
Product Series	NDX

General Specifications

Cable Type	Dielectric - Flat - Loose Tube
Cable, quantity	1
Distribution Type	1 x 4 splitter
Enclosure Color	Black
Forward Port Type	Hardened mini-size (DLX) adapter
Forward Port, quantity	4
Mounting	Handhole Pedestal Pole
Port Type	Hardened multi-fiber (HMFOC) jack
Port, quantity	4
Reverse Port Type	Hardened mini-size DLX
Reverse Port, quantity	1
Splitter, quantity	1
Stub Type	Hardened multi-fiber (HMFOC) plug

Dimensions

Height	297.8 mm 11.724 in
Width	130.3 mm 5.13 in
Depth	90.4 mm 3.559 in

NDX-06BTMOU-A0600F

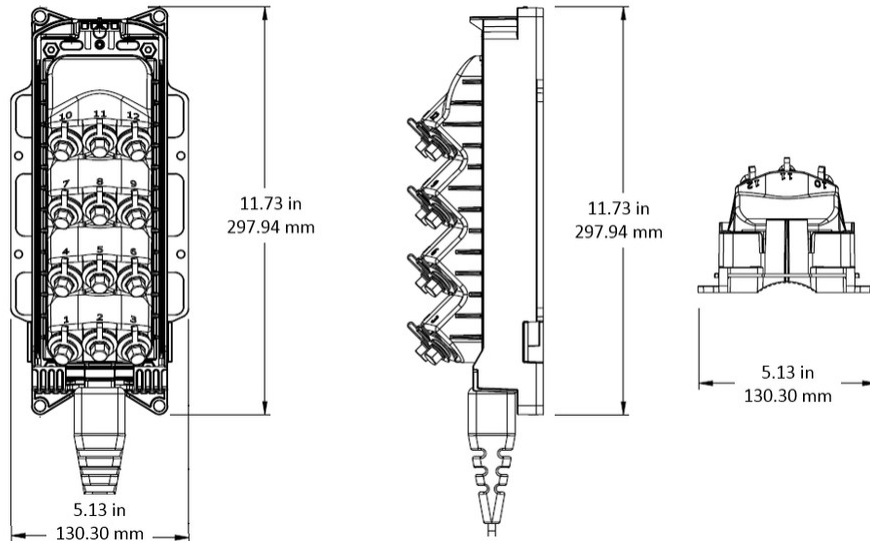
Cable Stub Length

600 ft | 182.88 m

Cable Outer Diameter

4.5 x 8.1 mm (0.18 x 0.32 in)

Dimension Drawing



Ordering Tree

NDX - [] - [] F

Terminal model

06	1 x 4 splitter w/reverse
10	1 x 8 splitter w/reverse
D1	Index only, 1F w/reverse
B2	Branching, 2F (DLX only)**
B3	Branching, 3F (DLX only)**
B4	Branching, 4F (DLX only)**
B5	Branching, 5F (DLX only)**
B6	Branching, 6F (DLX only)**

Housing type

B	DLX indexing terminal
H	4x3 indexing terminal

Connector type housing

T	DLX adapters and 1 HMFOC
G	Full-size adapters and 1 HMFOC
D	Index only, 1 HMFOC, 1 DLX, 1 DLX (reverse)
E	Index only, 1 HMFOC, 1 full-size, 1 full-size (reverse)
H	Branching, 2 HMFOC (only available for housing type "B" - DLX) **

Cable length

0010	10 feet	0500	500 feet
0050	50 feet	0600	600 feet
0100	100 feet	0750	750 feet
0150	150 feet	1000	1,000 feet
0200	200 feet	1250	1,250 feet
0250	250 feet	1500	1,500 feet
0350	350 feet	1750	1,750 feet
0450	450 feet	2000	2,000 feet

Cable type

A	Buried dielectric—flat
---	------------------------

Mounting style

U	Universal (Terminal is on top of the spool; stub deploys first)
---	---

Tail end

M0	HMFOC stub end
----	----------------

NDX-06BTMOU-A0600F

Material Specifications

Enclosure Material Type Gasketed hardened plastic

Optical Specifications

Fiber Type G.652.D

Attenuation, maximum 0.30 dB/km @ 1550 nm | 0.40 dB/km @ 1310 nm

Directivity, minimum 60 dB

Uniformity, maximum 0.8 dB

Wavelength Range 1260–1635 nm

Insertion Loss, Splitter, maximum 7.1 dB

Insertion Loss, Splitter, typical 6.7 dB

Insertion Loss, Stub Connector, maximum 0.45 dB

Insertion Loss, Stub Connector, typical 0.16 dB

Insertion Loss, Terminal Connector, maximum 0.45 dB

Insertion Loss, Terminal Connector, typical 0.16 dB

Return Loss, Connector, minimum 65 dB

Return Loss, Splitter, minimum 55 dB

Environmental Specifications

Operating Temperature -40 °C to +70 °C (-40 °F to +158 °F)

Relative Humidity 5%–100%, condensing

Environmental Space Above ground | Below ground | Buried

Flammability Rating UL 94 V-0

Qualification Standards IEC 60529, IP68 + 2 m waterhead | NEMA, Type 6 + 10 ft waterhead | Telcordia GR-3120-CORE | Telcordia GR-326-CORE | Telcordia GR-771-CORE

UV Resistance UV stabilized

Packaging and Weights

Included Enclosure (1) | Optical splitter (1) | Universal mounting bracket (1)

Packaging quantity 1

Packaging Type Box | Carton

Weight, without cable 1 kg | 2.205 lb

NDX-06BTMOU-A0600F

Regulatory Compliance/Certifications

Agency	Classification
CHINA-ROHS	Below maximum concentration value
ISO 9001:2015	Designed, manufactured and/or distributed under this quality management system
REACH-SVHC	Compliant as per SVHC revision on www.commscope.com/ProductCompliance
ROHS	Compliant



Included Products

- MST-UMB-MINI – DLX® Mini-MST, Fiber Optic Universal Mounting Bracket

MST-UMB-MINI



DLX® Mini-MST, Fiber Optic Universal Mounting Bracket

Product Classification

Regional Availability	EMEA Latin America North America
Product Type	Mounting bracket
Product Brand	DLX®
Product Series	Mini-MST

General Specifications

Color	Black
--------------	-------

Environmental Specifications

Environmental Space	Outdoor
----------------------------	---------

Packaging and Weights

Packaging quantity	1
Packaging Type	Bag Carton

Regulatory Compliance/Certifications

Agency	Classification
CHINA-ROHS	Below maximum concentration value
REACH-SVHC	Compliant as per SVHC revision on www.commscope.com/ProductCompliance
ROHS	Compliant

