

Mini-OTE 300-Series, Optical Terminal Enclosure, 8-port full-size connector, with integrated 1x8 splitter, black, with grounding, external mounting. Splitter outputs connected to terminal housing ports, maximum 26 splices.

- Hardened connectors are factory-terminated and environmentally sealed for use in optical drop cable deployments
- Plug and play adapter ports ensure rapid cable installment in the outside plant access section of the network
- Optical Terminal Enclosures incorporate hardened connector technology that is designed to withstand the rugged outside plant environment
- Accommodates CommScope's field installable splitters and compact CWDMs

Product Classification

Regional Availability	Asia EMEA Latin America North America
Product Type	Access terminal, with splitter
Product Series	Mini-OTE 300
Customer Restricted to	Comcast

General Specifications

Application	For central core tube ribbon shielded/unshielded fiber cable For flat drop with/without trace wire fiber cable For loose buffer tube standard (72 F) and micro (144 F) fiber cable For round armored up to 0.50 in/12.7 mm diameter fiber cable
Cable Type	No cable (stubless)
Cable, quantity	0
Distribution Type	1 x 8 splitter
Enclosure Color	Black
Mounting	Handhole Pedestal Pole Strand
Port Type	Hardened full-size SC/APC
Port, quantity	8
Splitter, quantity	1
Stub Type	No tail

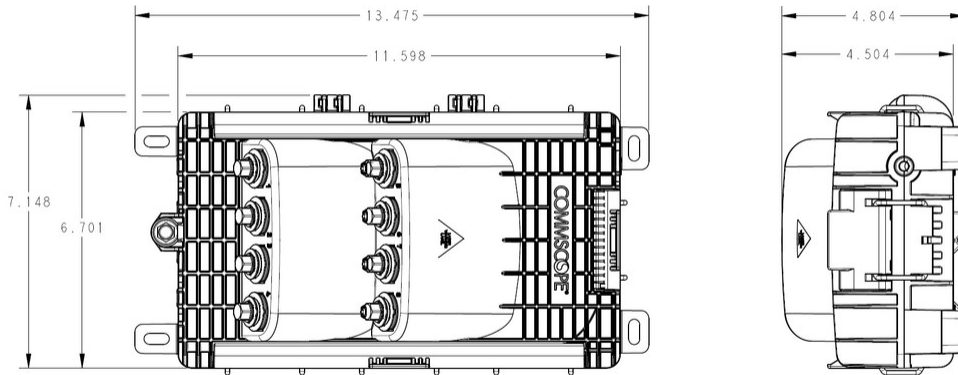
Dimensions

Height	342.9 mm 13.5 in
---------------	--------------------

260103823 | OTE-08MH-18-EXTG03-U23

Width	182.88 mm 7.2 in
Depth	121.92 mm 4.8 in
Cable Length, stub	0 ft (0 m)

Dimension Drawing



Ordering Tree

OTE - M - - G

Number of ports

02	2 ports
04	4 ports
06	6 ports
08	8 ports
12	12 ports

Type of adapter

H	Full-size
X	DLX miniaturized

Passive optical module options

NN	No splitter
12	1:2 splitter (FBT)
14	1:4 splitter (planar)
18	1:8 splitter (planar)
2C	2 channel CCWDM
4C	4 channel CCWDM
8C	8 channel CCWDM

Number of trays

03	3 trays (standard)— 2 fiber splicing trays, 1 fiber storage tray
----	--

Optional features

EXT	External mounting
##	Starting CCWDM wavelength, 20nm spacing
##A	Starting CCWDM wavelength, skipped channels

Example: OTE-04MX-14-EXTG03
4 Port Mini-OTE with 1x4 splitter, external mounting, grounding, 3 trays

Material Specifications

Enclosure Material Type Engineered plastic

Optical Specifications

Operating Wavelength Range 1260 – 1635 nm

Attenuation Splitter, maximum 10.4 dB

Attenuation Terminal Connectors, maximum 0.4 dB

Directivity, minimum 60 dB

Insertion Loss, Splitter, typical 10 dB

Insertion Loss, Terminal Connector, typical 0.16 dB

Return Loss, Connector, minimum 65 dB

Return Loss, Single Ports, minimum 55 dB

Environmental Specifications

Operating Temperature -40 °C to +60 °C (-40 °F to +140 °F)

Relative Humidity 5%–100%, condensing

Environmental Space Above ground | Below ground | Buried

Qualification Standard Note See test report CTR-1016 for details and exceptions

Qualification Standards IEC 60529, IP68 + 2 m waterhead | Telcordia GR-771-CORE

UV Resistance UV stabilized

Packaging and Weights

Included Enclosure (1) | Gel-sealed input ports for butt applications (4) | Gel-sealed input ports for inline applications (1) | Integrated slack storage tray (1) | Integrated splice tray (2) | Optical splitter (1) | Pedestal mounting hardware (1)

Packaging quantity 1

Packaging Type Box | Carton

Weight, without cable 3.06 kg | 6.746 lb

Regulatory Compliance/Certifications

Agency	Classification
CHINA-ROHS	Above maximum concentration value
ISO 9001:2015	Designed, manufactured and/or distributed under this quality management system
ROHS	Compliant/Exempted

UK-ROHS

Compliant/Exempted



Included Products

760242289 - Mini-OTE 300-Series, Optical Terminal Pole Cable Retention
OTE-M-CABLERET Kit



Mini-OTE 300-Series, Optical Terminal Pole Cable Retention Kit

Product Classification

Regional Availability	North America
Product Type	Mounting bracket
Product Series	Mini-OTE 300

Environmental Specifications

Environmental Space	Outdoor
----------------------------	---------

Packaging and Weights

Packaging quantity	10
Packaging Type	Bag Carton