



FOSC® 450 A4 Fiber Optic Splice Closure with one 4-port tap, 15 dB

- Single-ended, O-ring sealed dome closure for splicing feeder and distribution cables
- Gel cable sealing technology allows easy adding or removing of a wide size range of cables
- Compatible with most common cable types: e.g. loose tube, central core, ribbon fiber
- FOSC splice trays hinged for access to any splice without disturbing other trays
- Closure can be used in aerial, pedestal and underground (up to 5 meters) environments
- Compatible with CommScope's CWDM modules and optical splitter trays

Product Classification

| | |
|------------------------------|-----------------------------------|
| Regional Availability | Latin America North America |
| Product Type | Single-ended, round fiber closure |
| Product Brand | FOSC® |
| Product Series | FOSC 450 |

General Specifications

| | |
|---|--------------------------------|
| Cable Entry Drop Port Style | Round |
| Cable Entry Main Port Style | Round |
| Cable Ports Quantity, total | 4 round ports |
| Cable Sealing Type | Compressed gel |
| Closure Sealing Type | Dome-to-base clamp with O-ring |
| Closure Style | Single-ended |
| Color | Black |
| Flash Test Valve | None |
| Ground Feed-through | None |
| Mounting | Pole Strand Wall |
| Network Area Type | Drop |
| Splice Tray Included, quantity | 1 |
| Splice Tray Type Included | 12-way, heat shrink |
| Splicing Capacity, Mass Fusion, maximum | 144 |
| Splicing Capacity, Single Fusion, maximum | 96 |
| Splicing Capacity, Single Splice, 12 fibers, maximum | 96 |
| Splicing Capacity, Single Splice, 6 fibers, maximum | 48 |

586756-000 | FOSC450-A4-4-TAP-4P-15

Splicing Type, Supported

Mass fusion | Single fusion

Dimensions

Length

485 mm | 19.094 in

Diameter

150 mm | 5.906 in

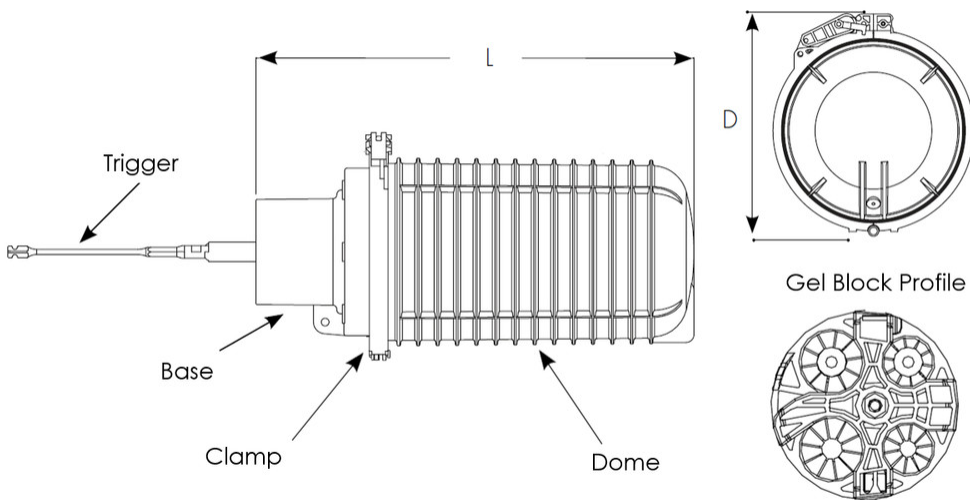
Diameter, with clamp

205 mm | 8.071 in

Main Cable Diameter, maximum

25 mm | 0.984 in

Dimension Drawing



Ordering Tree

FOSC 450 - A4 - TAP - XX - XX

Tap Tray Configuration

| | |
|----|-----------------|
| 2P | 2-port tap tray |
| 4P | 4-port tap tray |
| 8P | 8-port tap tray |

Tap Value and Type

| | |
|-----|----------------------------|
| 04T | 4 dB, terminating tap |
| 05 | 5 dB, non-terminating tap |
| 07 | 7 dB, non-terminating tap |
| 07T | 7 dB, terminating tap |
| 08 | 8 dB, non-terminating tap |
| 09 | 9 dB, non-terminating tap |
| 10 | 10 dB, non-terminating tap |
| 11 | 11 dB, non-terminating tap |
| 11T | 11 dB, terminating tap |
| 12 | 12 dB, non-terminating tap |
| 13 | 13 dB, non-terminating tap |
| 14 | 14 dB, non-terminating tap |
| 15 | 15 dB, non-terminating tap |
| 17 | 17 dB, non-terminating tap |
| 19 | 19 dB, non-terminating tap |
| 21 | 21 dB, non-terminating tap |

Material Specifications

Material Type Impact-resistant polymer

Environmental Specifications

Environmental Space Below ground | Buried

Qualification Standards IEC 61300, 5 m waterhead

Water Resistance Flash test valve at 5 psi (40 kPa)

Packaging and Weights

Packaging quantity 1

Packaging Type Box | Carton

Weight, net 2.72 kg | 5.997 lb

Regulatory Compliance/Certifications

| | |
|---------------|-----------------------------------|
| Agency | Classification |
| CHINA-ROHS | Below maximum concentration value |

586756-000 | FOSC450-A4-4-TAP-4P-15

| | |
|---------------|--|
| ISO 9001:2015 | Designed, manufactured and/or distributed under this quality management system |
| REACH-SVHC | Compliant as per SVHC revision on www.commscope.com/ProductCompliance |
| ROHS | Compliant |
| UK-ROHS | Compliant |

