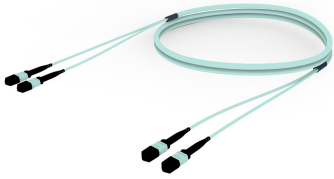


# FJXMPMPAF

## Base Product



OM4 MPO (Unpinned) to MPO (Unpinned), InstaPATCH® 360 Pre-terminated Trunk Cable, 24-Fiber, Low Smoke Zero Halogen

## Product Classification

<b>Regional Availability</b>	Asia   Australia/New Zealand   China   Europe   India   Latin America   Middle East/Africa   North America
<b>Portfolio</b>	CommScope®
<b>Product Type</b>	Fiber trunk cable assembly
<b>Product Brand</b>	SYSTIMAX InstaPATCH® 360
<b>Ordering Note</b>	For lengths greater than 999 ft (304 m), orders must be in meters   Minimum length may vary based on cable configuration   Not available in the United States or Canada

## General Specifications

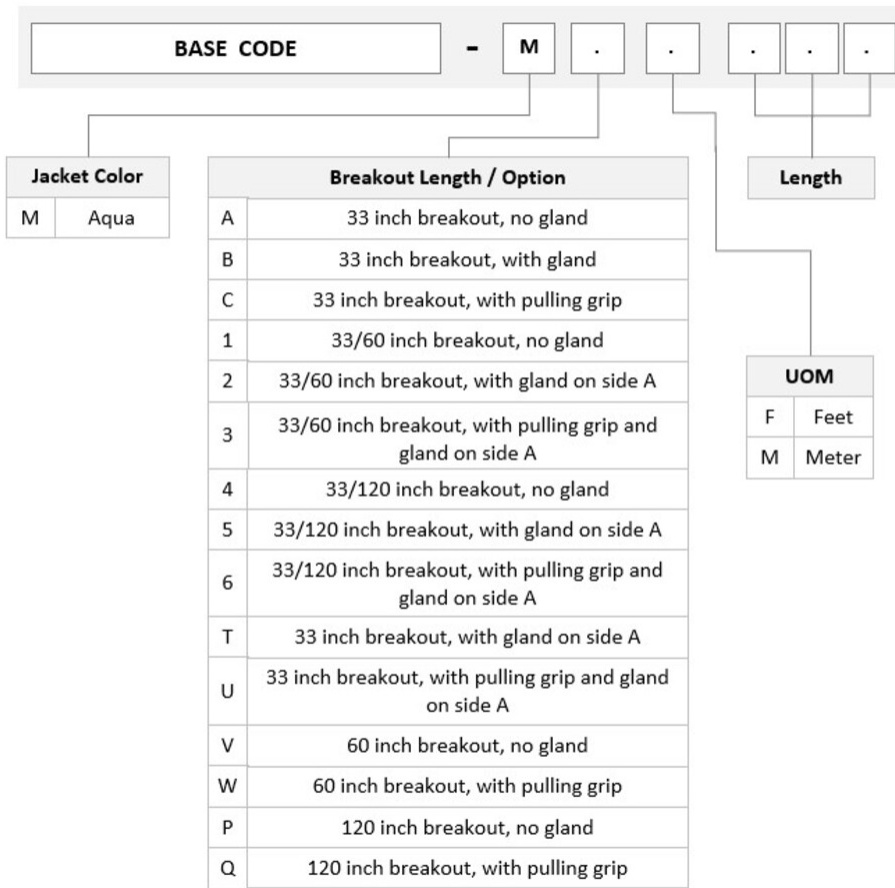
<b>Color, boot A</b>	Black
<b>Color, connector A</b>	Aqua
<b>Color, boot B</b>	Black
<b>Color, connector B</b>	Aqua
<b>Construction Type</b>	Stranded
<b>Furcation Color</b>	Aqua
<b>Interface, Connector A</b>	MPO-12/UPC Female
<b>Interface, Connector B</b>	MPO-12/UPC Female
<b>Jacket Color</b>	Aqua
<b>Polarity</b>	Method B (LL)
<b>Fibers per Subunit, quantity</b>	12
<b>Total Fibers, quantity</b>	24

## Dimensions

<b>Breakout Length</b>	33 in
<b>Cable Assembly Length Range (m)</b>	3 – 999
<b>Cable Assembly Length Range (ft)</b>	10 – 999

# FJXMPMPAF

## Ordering Tree



## Mechanical Specifications

**Cable Retention Strength, maximum** 11.24 lb @ 0° | 4.40 lb @ 90°

## Optical Specifications

**Fiber Mode** Multimode

**Fiber Type** OM4, LazrSPEED®

## Environmental Specifications

**Operating Temperature** -10 °C to +60 °C (+14 °F to +140 °F)

**Environmental Space** Dual Rated LSZH/Riser | Indoor

# FJXMPMPAF

---

## Regulatory Compliance/Certifications

<b>Agency</b>	<b>Classification</b>
ANATEL	Compliant
CHINA-ROHS	Below maximum concentration value
ISO 9001:2015	Designed, manufactured and/or distributed under this quality management system
REACH-SVHC	Compliant as per SVHC revision on <a href="http://www.commscope.com/ProductCompliance">www.commscope.com/ProductCompliance</a>
ROHS	Compliant
UK-ROHS	Compliant



## Included Products

760067488 N-024-MP-5K-F12AQ/D	- Fiber indoor cable, LazrSPEED®, Low Smoke Zero Halogen Riser MPO Trunk, 24 fiber with 12 fiber subunits, Gel-free, Multimode OM4, Feet jacket marking, Aqua jacket color, Dca flame rating
760235871 N-024-MP-5K-F12BL/D	- LazrSPEED® Low Smoke Zero Halogen Riser MPO Trunk Cable, 24 fiber with 12 fiber subunits
860647054	- MPO12, LOW LOSS, FEMALE, OM3/4, AQUA, 3mm

# 760067488 | N-024-MP-5K-F12AQ/D



Fiber indoor cable, LazrSPEED®, Low Smoke Zero Halogen Riser MPO Trunk, 24 fiber with 12 fiber subunits, Gel-free, Multimode OM4, Feet jacket marking, Aqua jacket color, Dca flame rating

## Product Classification

<b>Regional Availability</b>	Asia   Australia/New Zealand   EMEA   Latin America   North America
<b>Portfolio</b>	CommScope®
<b>Product Type</b>	Fiber indoor cable
<b>Product Series</b>	N-MP

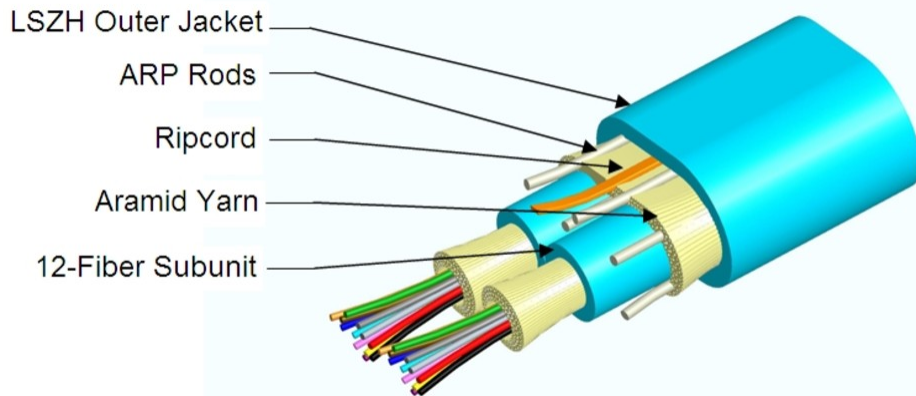
## General Specifications

<b>Cable Type</b>	MPO trunk cable
<b>Construction Type</b>	Non-armored
<b>Subunit Type</b>	Gel-free
<b>Jacket Color</b>	Aqua
<b>Jacket Marking</b>	Feet
<b>Subunit, quantity</b>	2
<b>Fibers per Subunit, quantity</b>	12
<b>Total Fiber Count</b>	24

## Dimensions

<b>Height Over Jacket</b>	5.2 mm   0.205 in
<b>Width Over Jacket</b>	8.2 mm   0.323 in
<b>Buffer Tube/Subunit Diameter</b>	3 mm   0.118 in

## Representative Image



## Mechanical Specifications

<b>Minimum Bend Radius, loaded</b>	78 mm   3.071 in
<b>Minimum Bend Radius, unloaded</b>	52 mm   2.047 in
<b>Tensile Load, long term, maximum</b>	200 N   44.962 lbf
<b>Tensile Load, short term, maximum</b>	667 N   149.948 lbf
<b>Compression</b>	10 N/mm   57.101 lb/in
<b>Compression Test Method</b>	FOTP-41   IEC 60794-1 E3
<b>Flex</b>	300 cycles
<b>Flex Test Method</b>	FOTP-104   IEC 60794-1 E6
<b>Impact</b>	2.94 N-m   26.021 in lb
<b>Impact Test Method</b>	FOTP-25   IEC 60794-1 E4
<b>Strain</b>	See long and short term tensile loads
<b>Strain Test Method</b>	FOTP-33   IEC 60794-1 E1
<b>Twist</b>	10 cycles
<b>Twist Test Method</b>	FOTP-85   IEC 60794-1 E7
<b>Vertical Rise, maximum</b>	491 m   1,610.892 ft

## Optical Specifications

<b>Fiber Type</b>	OM4, LazrSPEED® 550   OM4, LazrSPEED® 550
-------------------	-------------------------------------------

## Environmental Specifications

<b>Installation temperature</b>	-20 °C to +60 °C (-4 °F to +140 °F)
---------------------------------	-------------------------------------

# 760067488 | N-024-MP-5K-F12AQ/D

<b>Operating Temperature</b>	-20 °C to +70 °C (-4 °F to +158 °F)
<b>Storage Temperature</b>	-40 °C to +70 °C (-40 °F to +158 °F)
<b>Cable Qualification Standards</b>	ANSI/ICEA S-83-596   Telcordia GR-409
<b>EN50575 CPR Cable EuroClass Fire Performance</b>	Dca
<b>EN50575 CPR Cable EuroClass Smoke Rating</b>	s1a
<b>EN50575 CPR Cable EuroClass Droplets Rating</b>	d1
<b>EN50575 CPR Cable EuroClass Acidity Rating</b>	a1
<b>Environmental Space</b>	Low Smoke Zero Halogen (LSZH)   Riser
<b>Flame Test Listing</b>	NEC OFNR-ST1 (ETL) and c(ETL)
<b>Flame Test Method</b>	IEC 60332-3   IEC 60754-2   IEC 61034-2   UL 1666   UL 1685

## Environmental Test Specifications

<b>Heat Age</b>	-20 °C to +85 °C (-4 °F to +185 °F)
<b>Heat Age Test Method</b>	IEC 60794-1 F9
<b>Low High Bend</b>	-20 °C to +70 °C (-4 °F to +158 °F)
<b>Low High Bend Test Method</b>	FOTP-37   IEC 60794-1 E11
<b>Temperature Cycle</b>	-20 °C to +70 °C (-4 °F to +158 °F)
<b>Temperature Cycle Test Method</b>	FOTP-3   IEC 60794-1 F1

## Packaging and Weights

<b>Cable weight</b>	42 kg/km   28.223 lb/kft
---------------------	--------------------------

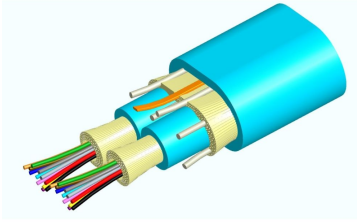
## Regulatory Compliance/Certifications

<b>Agency</b>	<b>Classification</b>
CENELEC	EN 50575 compliant, Declaration of Performance (DoP) available
CHINA-ROHS	Below maximum concentration value
ISO 9001:2015	Designed, manufactured and/or distributed under this quality management system
REACH-SVHC	Compliant as per SVHC revision on <a href="http://www.commscope.com/ProductCompliance">www.commscope.com/ProductCompliance</a>
ROHS	Compliant
UK-ROHS	Compliant



### \* Footnotes

**Operating Temperature** Specification applicable to non-terminated bulk fiber cable



LazrSPEED® Low Smoke Zero Halogen Riser MPO Trunk Cable, 24 fiber with 12 fiber subunits

## Product Classification

<b>Regional Availability</b>	Asia   Australia/New Zealand   EMEA   Latin America   North America
<b>Portfolio</b>	CommScope®
<b>Product Type</b>	Fiber indoor cable
<b>Product Series</b>	N-MP

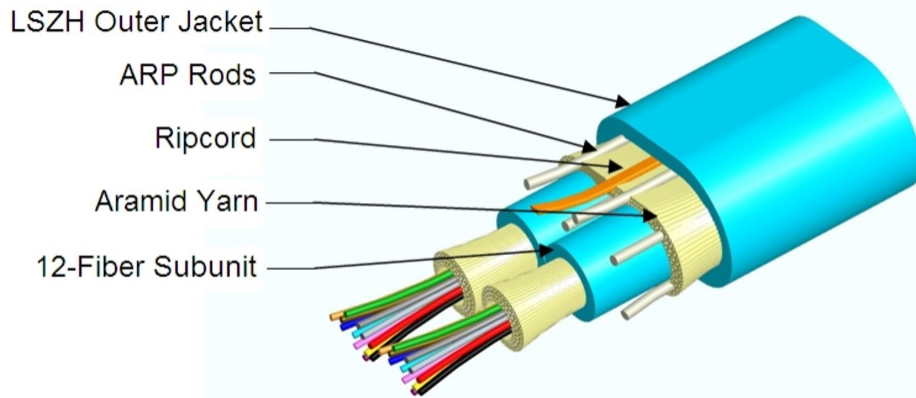
## General Specifications

<b>Cable Type</b>	MPO trunk cable
<b>Construction Type</b>	Non-armored
<b>Subunit Type</b>	Gel-free
<b>Jacket Color</b>	Blue
<b>Jacket Marking</b>	Feet
<b>Subunit, quantity</b>	2
<b>Fibers per Subunit, quantity</b>	12
<b>Total Fiber Count</b>	24

## Dimensions

<b>Height Over Jacket</b>	5.2 mm   0.205 in
<b>Width Over Jacket</b>	8.2 mm   0.323 in
<b>Buffer Tube/Subunit Diameter</b>	3 mm   0.118 in

## Representative Image



## Mechanical Specifications

<b>Minimum Bend Radius, loaded</b>	78 mm   3.071 in
<b>Minimum Bend Radius, unloaded</b>	52 mm   2.047 in
<b>Tensile Load, long term, maximum</b>	200 N   44.962 lbf
<b>Tensile Load, short term, maximum</b>	667 N   149.948 lbf
<b>Compression</b>	10 N/mm   57.101 lb/in
<b>Compression Test Method</b>	FOTP-41   IEC 60794-1 E3
<b>Flex</b>	300 cycles
<b>Flex Test Method</b>	FOTP-104   IEC 60794-1 E6
<b>Impact</b>	2.94 N-m   26.021 in lb
<b>Impact Test Method</b>	FOTP-25   IEC 60794-1 E4
<b>Strain</b>	See long and short term tensile loads
<b>Strain Test Method</b>	FOTP-33   IEC 60794-1 E1
<b>Twist</b>	10 cycles
<b>Twist Test Method</b>	FOTP-85   IEC 60794-1 E7
<b>Vertical Rise, maximum</b>	491 m   1,610.892 ft

## Optical Specifications

<b>Fiber Type</b>	OM4, LazrSPEED® 550   OM4, LazrSPEED® 550
-------------------	-------------------------------------------

## Environmental Specifications

<b>Installation temperature</b>	-20 °C to +60 °C (-4 °F to +140 °F)
---------------------------------	-------------------------------------



# 760235871 | N-024-MP-5K-F12BL/D

<b>Operating Temperature</b>	-20 °C to +70 °C (-4 °F to +158 °F)
<b>Storage Temperature</b>	-40 °C to +70 °C (-40 °F to +158 °F)
<b>Cable Qualification Standards</b>	ANSI/ICEA S-83-596   Telcordia GR-409
<b>EN50575 CPR Cable EuroClass Fire Performance</b>	Dca
<b>EN50575 CPR Cable EuroClass Smoke Rating</b>	s1a
<b>EN50575 CPR Cable EuroClass Droplets Rating</b>	d1
<b>EN50575 CPR Cable EuroClass Acidity Rating</b>	a1
<b>Environmental Space</b>	Low Smoke Zero Halogen (LSZH)   Riser
<b>Flame Test Listing</b>	NEC OFNR-ST1 (ETL) and c(ETL)
<b>Flame Test Method</b>	IEC 60332-3   IEC 60754-2   IEC 61034-2   UL 1666   UL 1685

## Environmental Test Specifications

<b>Heat Age</b>	-20 °C to +85 °C (-4 °F to +185 °F)
<b>Heat Age Test Method</b>	IEC 60794-1 F9
<b>Low High Bend</b>	-20 °C to +70 °C (-4 °F to +158 °F)
<b>Low High Bend Test Method</b>	FOTP-37   IEC 60794-1 E11
<b>Temperature Cycle</b>	-20 °C to +70 °C (-4 °F to +158 °F)
<b>Temperature Cycle Test Method</b>	FOTP-3   IEC 60794-1 F1

## Packaging and Weights

<b>Cable weight</b>	42 kg/km   28.223 lb/kft
---------------------	--------------------------

## Regulatory Compliance/Certifications

<b>Agency</b>	<b>Classification</b>
CENELEC	EN 50575 compliant, Declaration of Performance (DoP) available
CHINA-ROHS	Below maximum concentration value
ISO 9001:2015	Designed, manufactured and/or distributed under this quality management system
REACH-SVHC	Compliant as per SVHC revision on <a href="http://www.commscope.com/ProductCompliance">www.commscope.com/ProductCompliance</a>
ROHS	Compliant
UK-ROHS	Compliant

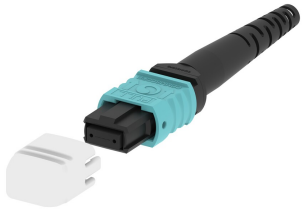


### \* Footnotes

**Operating Temperature** Specification applicable to non-terminated bulk fiber cable

# 860647054

---



MPO12, LOW LOSS, FEMALE, OM3/4, AQUA, 3mm

## Product Classification

<b>Regional Availability</b>	Asia   Australia/New Zealand   EMEA   Latin America   North America
<b>Portfolio</b>	CommScope®
<b>Product Type</b>	Fiber connector

## General Specifications

<b>Color</b>	Aqua
<b>Color, boot</b>	Black
<b>Ferrule Geometry</b>	Flat
<b>Interface</b>	MPO/UPC Female
<b>Interface Feature</b>	Unpinned
<b>Total Fiber Count</b>	12

## Dimensions

<b>Length</b>	60.1 mm   2.366 in
<b>Compatible Cable Diameter</b>	3 mm   0.118 in

## Material Specifications

<b>Ferrule Material</b>	Polymer
-------------------------	---------

## Mechanical Specifications

<b>Cable Retention Strength, maximum</b>	11.24 lb @ 0 °
------------------------------------------	----------------

## Optical Specifications

<b>Fiber Mode</b>	Multimode
<b>Fiber Type</b>	OM3   OM4
<b>Insertion Loss Change, mating</b>	0.2 dB
<b>Optical Components Standard</b>	ANSI/TIA-568-C.3

# 860647054

---

<b>Insertion Loss Change, temperature</b>	0.2 dB
<b>Insertion Loss, maximum</b>	0.25 dB
<b>Return Loss, minimum</b>	27 dB

## Packaging and Weights

<b>Packaging quantity</b>	1
---------------------------	---

## Regulatory Compliance/Certifications

<b>Agency</b>	<b>Classification</b>
ISO 9001:2015	Designed, manufactured and/or distributed under this quality management system

## \* Footnotes

<b>Insertion Loss Change, mating</b>	TIA-568: Maximum insertion loss change after 500 matings
<b>Insertion Loss Change, temperature</b>	Maximum insertion loss change from -10 °C to +60 °C (+14 °F to +140 °F)