

# F1P43A-PNMSM-5M-X



FSJ1P-50A SureFlex® Jumper with interface types N Male and SMA Male, 5 m

## OBSOLETE

This product was discontinued on: November 20, 2019

## Product Classification

<b>Product Type</b>	SureFlex® standard
<b>Product Brand</b>	HELIAX®   SureFlex®
<b>Product Series</b>	FSJ1-50A

## General Specifications

<b>Attachment, Connector B</b>	Field attachment
<b>Body Style, Connector A</b>	Straight
<b>Body Style, Connector B</b>	Straight
<b>Interface, Connector A</b>	N Male
<b>Interface, Connector B</b>	SMA Male
<b>Specification Sheet Revision Level</b>	A

## Dimensions

<b>Length</b>	5 m   16.404 ft
<b>Nominal Size</b>	1/4 in

## Electrical Specifications

<b>DTF, Connector A</b>	-28 dB
<b>DTF, Connector B</b>	-28 dB

## VSWR/Return Loss

Frequency Band	VSWR	Return Loss (dB)
800–970 MHz	1.151	23.07
1420–1530 MHz	1.151	23.07
1700–2180 MHz	1.151	23.07

# F1P43A-PNMSM-5M-X

## Jumper Assembly Sample Label



## Environmental Specifications

### Immersion Test Method

Meets IEC 60529:2001, IP68 in mated condition

## Regulatory Compliance/Certifications

### Agency

ISO 9001:2015

### Classification

Designed, manufactured and/or distributed under this quality management system



## Included Products

- F1TSM-C – SMA Male for 1/4 in FSJ1-50A cable

# F1TSM-C

---



SMA Male for 1/4 in FSJ1-50A cable

## Product Classification

<b>Product Type</b>	Wireless and radiating connector
<b>Product Brand</b>	HELIAX®
<b>Product Series</b>	FSJ1-50A

## General Specifications

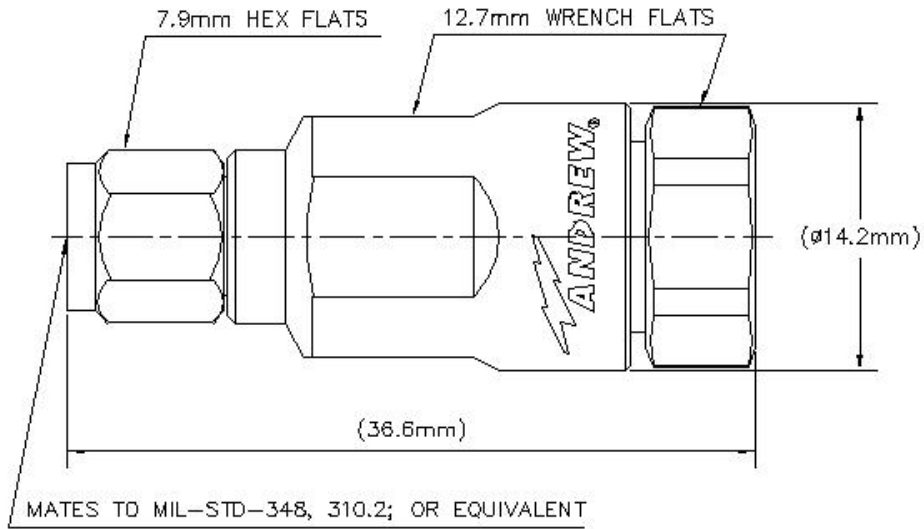
<b>Body Style</b>	Straight
<b>Cable Family</b>	FSJ1-50A
<b>Inner Contact Attachment Method</b>	Captivated
<b>Inner Contact Plating</b>	Gold
<b>Interface</b>	SMA Male
<b>Mounting Angle</b>	Straight
<b>Outer Contact Attachment Method</b>	Self-clamping
<b>Outer Contact Plating</b>	Trimetal
<b>Pressurizable</b>	No

## Dimensions

<b>Height</b>	14.22 mm   0.56 in
<b>Width</b>	14.22 mm   0.56 in
<b>Length</b>	36.58 mm   1.44 in
<b>Diameter</b>	14.22 mm   0.56 in
<b>Nominal Size</b>	1/4 in

## Outline Drawing

# F1TSM-C



## Electrical Specifications

<b>Average Power at Frequency</b>	0.4 kW @ 900 MHz
<b>Cable Impedance</b>	50 ohm
<b>Connector Impedance</b>	50 ohm
<b>dc Test Voltage</b>	1000 V
<b>Inner Contact Resistance, maximum</b>	3 mOhm
<b>Insulation Resistance, minimum</b>	5000 MOhm
<b>Operating Frequency Band</b>	0 – 6000 MHz
<b>Outer Contact Resistance, maximum</b>	2.5 mOhm
<b>Peak Power, maximum</b>	5 kW
<b>RF Operating Voltage, maximum (vrms)</b>	500 V
<b>Shielding Effectiveness</b>	-110 dB

## VSWR/Return Loss

Frequency Band	VSWR	Return Loss (dB)
0–3000 MHz	1.173	21.98
3000–6000 MHz	1.222	20.01
6000–9000 MHz	1.29	18

## Mechanical Specifications

# F1TSM-C

---

<b>Connector Retention Tensile Force</b>	449.27 N   101 lbf
<b>Coupling Nut Proof Torque</b>	1.7 N-m   15.046 in lb
<b>Coupling Nut Proof Torque Method</b>	IEC 61169-16:9.3.11
<b>Coupling Nut Retention Force</b>	266.98 N   60.02 lbf
<b>Coupling Nut Retention Force Method</b>	IEC 61169-15:9.3.11
<b>Insertion Force</b>	97.86 N   22 lbf
<b>Insertion Force Method</b>	IEC 61169-16:9.3.5
<b>Interface Durability</b>	500 cycles
<b>Interface Durability Method</b>	IEC 61169-4:17
<b>Mechanical Shock Test Method</b>	IEC 60068-2-27

## Environmental Specifications

<b>Operating Temperature</b>	-55 °C to +85 °C (-67 °F to +185 °F)
<b>Storage Temperature</b>	-65 °C to +125 °C (-85 °F to +257 °F)
<b>Attenuation, Ambient Temperature</b>	20 °C   68 °F
<b>Average Power, Ambient Temperature</b>	40 °C   104 °F
<b>Average Power, Inner Conductor Temperature</b>	100 °C   212 °F
<b>Corrosion Test Method</b>	IEC 60068-2-11
<b>Moisture Resistance Test Method</b>	IEC 60068-2-3
<b>Thermal Shock Test Method</b>	IEC 60068-2-14
<b>Vibration Test Method</b>	IEC 60068-2-6

## Packaging and Weights

<b>Weight, net</b>	24.99 g   0.055 lb
--------------------	--------------------

## Regulatory Compliance/Certifications

<b>Agency</b>	<b>Classification</b>
CHINA-ROHS	Below maximum concentration value
ISO 9001:2015	Designed, manufactured and/or distributed under this quality management system
REACH-SVHC	Compliant as per SVHC revision on <a href="http://www.commscope.com/ProductCompliance">www.commscope.com/ProductCompliance</a>
ROHS	Compliant
UK-ROHS	Compliant/Exempted

# FITSM-C

---

