

ADCB-HFHM



DC Block, 555–2700 MHz, with interface types 4.3-10 Female and 4.3-10 Male

Product Classification

Product Type dc Block

General Specifications

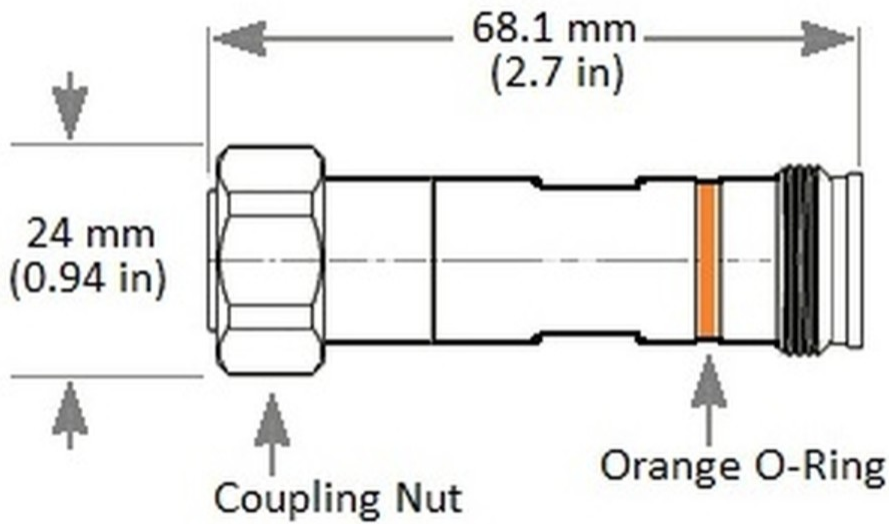
Inner Contact Plating Silver
Interface 4.3-10 Female
Interface 2 4.3-10 Male
Outer Contact Plating Trimetal
Pressurizable No

Dimensions

Height 24 mm | 0.945 in
Width 24 mm | 0.945 in
Length 68.1 mm | 2.681 in

Outline Drawing

ADCB-HFHM



Electrical Specifications

3rd Order IMD	-118 dBm
3rd Order IMD Test Method	Two +43 dBm carriers
Insertion Loss, typical	0.1 dB
Average Power	200 W
Connector Impedance	50 ohm
dc Test Voltage	48 V
Operating Frequency Band	555 – 2700 MHz
Peak Power, maximum	2 kW

VSWR/Return Loss

Frequency Band	VSWR	Return Loss (dB)
555–2700 MHz	1.13	24.29

Mechanical Specifications

Coupling Nut Proof Torque	5 N-m 44.254 in lb
Coupling Nut Retention Force Method	IEC 61169-154
Interface Durability	100 cycles
Interface Durability Method	IEC 61169-154
Mechanical Shock Test Method	MIL-STD-202F, Method 213B, Test Condition C

ADCB-HFHM

Environmental Specifications

Operating Temperature	-40 °C to +65 °C (-40 °F to +149 °F)
Storage Temperature	-40 °C to +85 °C (-40 °F to +185 °F)
Attenuation, Ambient Temperature	20 °C 68 °F
Average Power, Ambient Temperature	40 °C 104 °F
Corrosion Test Method	MIL-STD-1344A, Method 1001.1, Test Condition A
Immersion Depth	1 m
Immersion Test Mating	Mated
Immersion Test Method	IEC 60529:2001, IP68
Moisture Resistance Test Method	MIL-STD-202F, Method 106F
Thermal Shock Test Method	MIL-STD-202F, Method 107G
Vibration Test Method	MIL-STD-202F, Method 204D, Test Condition B
Water Jetting Test Mating	Mated
Water Jetting Test Method	IEC 60529:2001, IP66

Packaging and Weights

Weight, net	0.1 kg 0.22 lb
--------------------	------------------

Regulatory Compliance/Certifications

Agency	Classification
CHINA-ROHS	Below maximum concentration value
REACH-SVHC	Compliant as per SVHC revision on www.commscope.com/ProductCompliance
ROHS	Compliant
UK-ROHS	Compliant

