

APT-HFHM



Arrestor Plus® Quarterwave Surge Arrestor 695-2700MHz, with interface types 4.3-10 Female and 4.3-10 Male

Product Classification

Product Type	Quarter wave shorting stub
Product Brand	Arrestor Plus®
Ordering Note	ANDREW® non-standard product

General Specifications

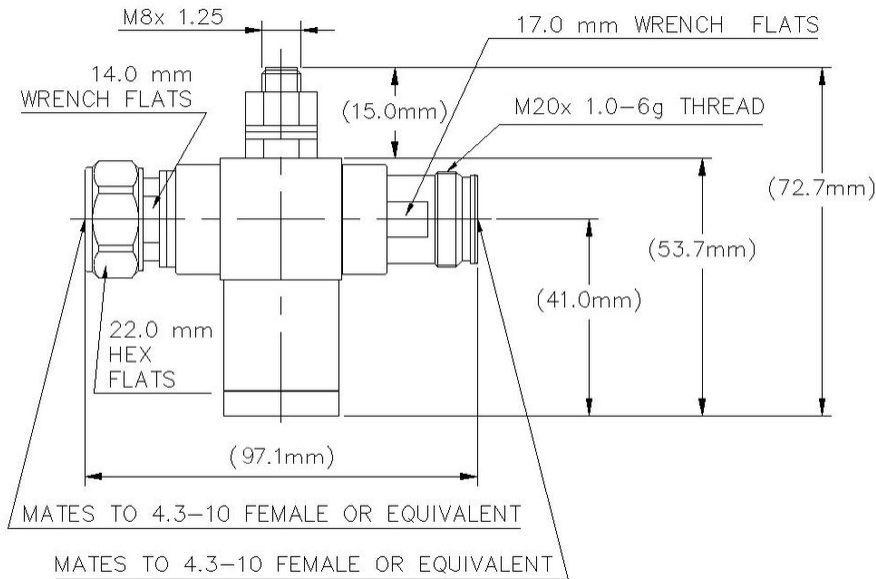
Device Type	dc Pass
Inner Contact Plating	Silver
Interface	4.3-10 Female
Interface 2	4.3-10 Male
Outer Contact Plating	Trimetal

Dimensions

Height	73 mm 2.874 in
Width	25 mm 0.984 in
Length	97 mm 3.819 in

Outline Drawing

APT-HFHM



Electrical Specifications

3rd Order IMD Gain	-117 dB
3rd Order IMD Test Method	Two +43 dBm carriers
Insertion Loss, typical	0.08 dB
Connector Impedance	50 ohm
Lightning Surge Current	10 kA
Lightning Surge Current Waveform	8/20 waveform
Operating Frequency Band	695 – 2700 MHz
Peak Instantaneous Power (PIP)	150 kW RF

VSWR/Return Loss

Frequency Band	VSWR	Return Loss (dB)
695–806 MHz	1.25	19.1
806–2170 MHz	1.13	24.3
2170–2600 MHz	1.15	23.13

Mechanical Specifications

Coupling Nut Proof Torque	10 N-m 88.507 in lb
Coupling Nut Retention Force	449.27 N 101 lbf
Coupling Nut Retention Force Method	MIL-C-39012C-3.25, 4.6.22

APT-HFHM

Interface Durability	100 cycles
Interface Durability Method	IEC 61169-16:9.5
Mechanical Shock Test Method	MIL-STD-202F, Method 213B, Test Condition C

Environmental Specifications

Operating Temperature	-45 °C to +85 °C (-49 °F to +185 °F)
Storage Temperature	-70 °C to +150 °C (-94 °F to +302 °F)
Attenuation, Ambient Temperature	20 °C 68 °F
Average Power, Ambient Temperature	40 °C 104 °F
Corrosion Test Method	MIL-STD-202, Method 101, Test Condition B
Immersion Depth	1 m
Immersion Test Mating	Mated
Immersion Test Method	IEC 60529:2001, IP68
Moisture Resistance Test Method	MIL-STD-202, Method 106
Thermal Shock Test Method	MIL-STD-202, Method 107, Test Condition A-1, Low Temperature -55 °C
Water Jetting Test Mating	Mated

Regulatory Compliance/Certifications

Agency	Classification
CHINA-ROHS	Above maximum concentration value
ISO 9001:2015	Designed, manufactured and/or distributed under this quality management system
ROHS	Compliant/Exempted
UK-ROHS	Compliant/Exempted

