

# 243950

---



Mounting/Grounding Bracket

**OBSOLETE**

## Product Classification

**Product Type** Surge arrester accessory  
**Ordering Note** CommScope® non-standard product

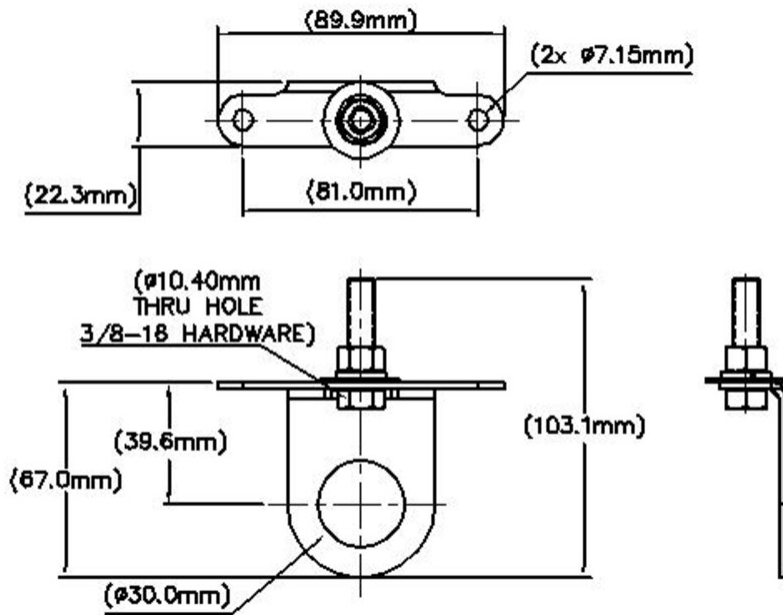
## General Specifications

**Interface** 7-16 DIN Female Bulkhead

## Dimensions

**Height** 67 mm | 2.638 in  
**Width** 22.3 mm | 0.878 in  
**Length** 89.9 mm | 3.539 in

## Outline Drawing



## Packaging and Weights

**Packaging quantity** 1  
**Weight, net** 120 g | 0.265 lb

## Regulatory Compliance/Certifications

| Agency        | Classification   |
|---------------|--|
| CHINA-ROHS    | Below maximum concentration value  |
| ISO 9001:2015 | Designed, manufactured and/or distributed under this quality management system   |
| REACH-SVHC    | Compliant as per SVHC revision on <a href="http://www.commscope.com/ProductCompliance">www.commscope.com/ProductCompliance</a> |
| ROHS          | Compliant  |
| UK-ROHS       | Compliant  |

