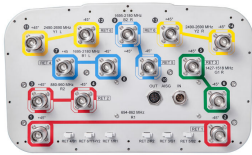


EGYHHTT65B-R6V1



14-port, 1.8m, multiband antenna, RF port assignments are as follows: R1 = 694–862, R2 = 880–960, G1 = 1427–1518, B1 & B2 = 1695–2180 and Y1 & Y2 = 2490–2690 MHz, 65° HPBW, 6x RET with manual override. Y1 & Y2 share a common RET

- Electrical tilt settings applicable to RF Ports R1, R2, G1, B1 & B2 can be set independently (See Array Layout and RET Table below)
- A common electrical tilt setting is shared by RF Ports Y1 & Y2
- All Internal RET actuators are connected in “Cascaded SRET” configuration
- Retractable tilt indicator rods

OBSOLETE

This product was discontinued on: **March 31, 2021**

General Specifications

Antenna Type	Sector
Band	Multiband
Grounding Type	RF connector inner conductor and body grounded to reflector and mounting bracket
Performance Note	Outdoor usage
Radome Material	Fiberglass, UV resistant
Reflector Material	Aluminum
RF Connector Interface	4.3-10 Female
RF Connector Location	Bottom
RF Connector Quantity, high band	10
RF Connector Quantity, low band	4
RF Connector Quantity, total	14

Remote Electrical Tilt (RET) Information

RET Hardware	CommRET v2
RET Interface	8-pin DIN Female 8-pin DIN Male
RET Interface, quantity	1 female 1 male
Input Voltage	10–30 Vdc

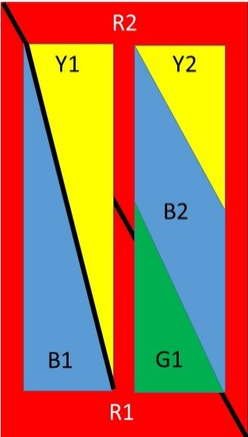
EGYHHTT65B-R6V1

Power Consumption, idle state, maximum	1 W
Power Consumption, normal conditions, maximum	8 W
Protocol	3GPP/AISG 2.0 (Single RET)

Dimensions

Width	350 mm 13.78 in
Depth	208 mm 8.189 in
Length	1828 mm 71.969 in
Net Weight, without mounting kit	33 kg 72.752 lb

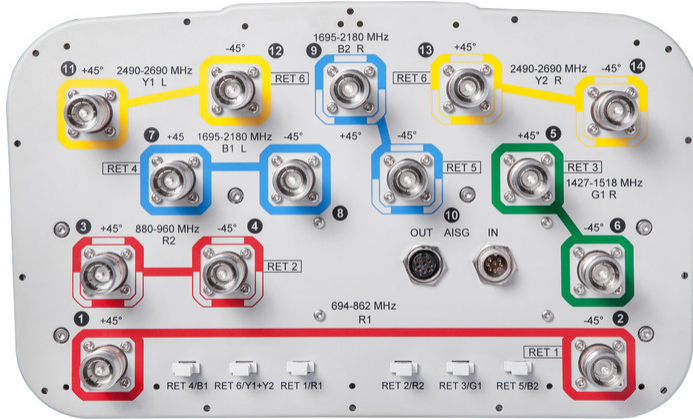
Array Layout



Array	Freq (MHz)	Conns	RET (SRET)	AISG RET UID
R1	694-862	1-2	1	CPxxxxxxxxxxxxxxxxR1
R2	880-960	3-4	2	CPxxxxxxxxxxxxxxxxR2
G1	1427-1518	5-6	3	CPxxxxxxxxxxxxxxxxG1
B1	1695-2180	7-8	4	CPxxxxxxxxxxxxxxxxB1
B2	1695-2180	9-10	5	CPxxxxxxxxxxxxxxxxB2
Y1	2490-2690	11-12	6	CPxxxxxxxxxxxxxxxxY1
Y2	2490-2690	13-14		

Port Configuration

EGYHHTT65B-R6V1



Electrical Specifications

Impedance	50 ohm
Operating Frequency Band	1427 – 1518 MHz 1695 – 2180 MHz 2490 – 2690 MHz 694 – 862 MHz 880 – 960 MHz
Polarization	±45°
Total Input Power, maximum	800 W @ 50 °C

Electrical Specifications

	R1	R2	G1	B1	B2	Y1	Y2
Frequency Band, MHz	694–862	880–960	1427–1518	1695–2180	1695–2180	2490–2690	2490–2690
Gain, dBi	15	15.2	16.2	17.8	17.4	17.9	17.4
Beamwidth, Horizontal, degrees	67	63	65	62	61	60	62
Beamwidth, Vertical, degrees	11.8	9.9	6.9	5.2	5.2	4.2	4.1
Beam Tilt, degrees	2–14	2–14	2–12	2–12	2–12	2–12	2–12
USLS (First Lobe), dB	15	17	17	17	15	19	19
Front-to-Back Ratio at 180°, dB	31	33	32	31	35	33	34
Isolation, Cross Polarization, dB	28	28	28	28	28	28	28

EGYHHTT65B-R6V1

Isolation, Inter-band, dB	30	30	30	30	30	30	30
VSWR Return loss, dB	1.5 14.0	1.5 14.0	1.5 14.0	1.5 14.0	1.5 14.0	1.5 14.0	1.5 14.0
PIM, 3rd Order, 2 x 20 W, dBc	-150	-150	-150	-150	-150	-150	-150
Input Power per Port, maximum, watts	350	350	300	300	300	250	250

Electrical Specifications, BASTA

Frequency Band, MHz	694–862	880–960	1427–1518	1695–2180	1695–2180	2490–2690	2490–2690
Gain by all Beam Tilts, average, dBi	14.7	15	16	17.5	16.9	17.7	17.1
Gain by all Beam Tilts Tolerance, dB	±0.4	±0.4	±0.4	±0.7	±0.7	±0.4	±0.5
Gain by Beam Tilt, average, dBi	2° 14.8 8° 14.7 14° 14.6	2° 15.1 8° 15.1 14° 14.9	2° 15.8 7° 16.1 12° 16.0	2° 17.3 7° 17.6 12° 17.4	2° 16.8 7° 17.0 12° 16.8	2° 17.6 7° 17.8 12° 17.2	2° 17.2 7° 17.3 12° 16.7
Beamwidth, Horizontal Tolerance, degrees	±1.9	±2.3	±6.3	±3.2	±3.2	±3.8	±5.6
Beamwidth, Vertical Tolerance, degrees	±1.2	±0.4	±0.3	±0.5	±0.6	±0.2	±0.2
USLS, beampeak to 20° above beampeak, dB	15	17	17	16	14	16	16
Front-to-Back Total Power at 180° ± 30°, dB	25	23	25	26	29	27	28
CPR at Boresight, dB	20	23	15	20	23	18	20
CPR at Sector, dB	11	10	7	9	8	9	5

Mechanical Specifications

Wind Loading @ Velocity, frontal	301.0 N @ 150 km/h (67.7 lbf @ 150 km/h)
Wind Loading @ Velocity, lateral	254.0 N @ 150 km/h (57.1 lbf @ 150 km/h)
Wind Loading @ Velocity, maximum	638.0 N @ 150 km/h (143.4 lbf @ 150 km/h)
Wind Loading @ Velocity, rear	319.0 N @ 150 km/h (71.7 lbf @ 150 km/h)
Wind Speed, maximum	241 km/h (150 mph)

Packaging and Weights

Width, packed	456 mm 17.953 in
Depth, packed	357 mm 14.055 in
Length, packed	1975 mm 77.756 in
Weight, gross	46.5 kg 102.515 lb

EGYHHTT65B-R6V1

Regulatory Compliance/Certifications

Agency

CE
ISO 9001:2015

Classification

Compliant with the relevant CE product directives
Designed, manufactured and/or distributed under this quality management system



Included Products

- BSAMNT-3 – Wide Profile Antenna Downtilt Mounting Kit for 2.4 - 4.5 in (60 - 115 mm) OD round members. Kit contains one scissor top bracket set and one bottom bracket set.
- SMALL-CAPKIT – Female End Cap Assembly for 4.3-10 series and 4.1-9.5 Din, work torque 5-8N/M.

* Footnotes

Performance Note

Severe environmental conditions may degrade optimum performance

BSAMNT-3



Wide Profile Antenna Downtilt Mounting Kit for 2.4 - 4.5 in (60 - 115 mm) OD round members. Kit contains one scissor top bracket set and one bottom bracket set.

Product Classification

Product Type Downtilt mounting kit

General Specifications

Application Outdoor

Color Silver

Dimensions

Compatible Diameter, maximum 115 mm | 4.528 in

Compatible Diameter, minimum 60 mm | 2.362 in

Weight, net 6.2 kg | 13.669 lb

Material Specifications

Material Type Galvanized steel

Packaging and Weights

Included Brackets | Hardware

Packaging quantity 1

Weight, gross 6.4 kg | 14.11 lb

Regulatory Compliance/Certifications

Agency	Classification
CE	Compliant with the relevant CE product directives
CHINA-ROHS	Below maximum concentration value
ISO 9001:2015	Designed, manufactured and/or distributed under this quality management system
REACH-SVHC	Compliant as per SVHC revision on www.commscope.com/ProductCompliance
ROHS	Compliant
UK-ROHS	Compliant

BSAMNT-3



SMALL-CAPKIT



Female End Cap Assembly for 4.3-10 series and 4.1-9.5 Din, work torque 5-8N/M.

Product Classification

Product Type	Wireless and radiating connector
Product Brand	HELIAX®

General Specifications

Outer Contact Plating	Trimetal
------------------------------	----------

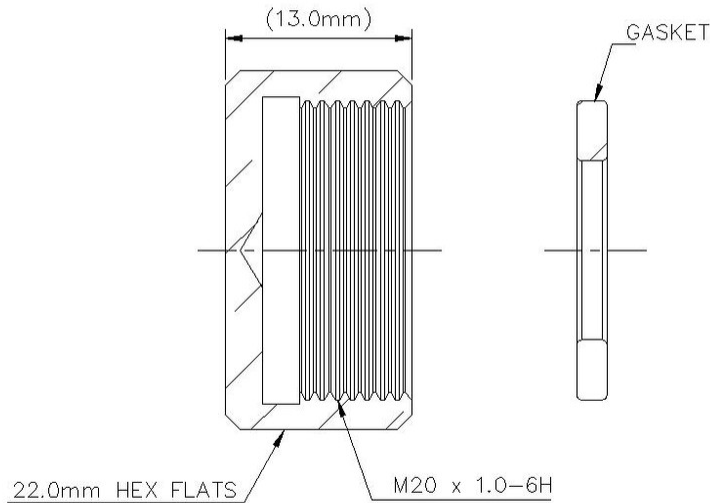
Dimensions

Length	13 mm 0.512 in
Diameter	24 mm 0.945 in

Outline Drawing

SMALL-CAPKIT

4.3-10/4.1-9.5 FEMALE END CAP ASSEMBLY



Material Specifications

Material Type Brass

Mechanical Specifications

Coupling Nut Proof Torque 8 N-m | 70.806 in lb

Mechanical Shock Test Method IEC 60068-2-27

Environmental Specifications

Operating Temperature -55 °C to +85 °C (-67 °F to +185 °F)

Storage Temperature -65 °C to +125 °C (-85 °F to +257 °F)

Attenuation, Ambient Temperature 20 °C | 68 °F

Average Power, Ambient Temperature 40 °C | 104 °F

Average Power, Inner Conductor Temperature 100 °C | 212 °F

Corrosion Test Method IEC 60068-2-11

Immersion Depth 1 m

Immersion Test Mating Mated

SMALL-CAPKIT

Immersion Test Method	IEC 60529:2001, IP68
Moisture Resistance Test Method	IEC 60068-2-3
Thermal Shock Test Method	IEC 60068-2-14
Vibration Test Method	IEC 60068-2-6

Packaging and Weights

Height, packed	160.02 mm 6.3 in
Width, packed	270.002 mm 10.63 in
Length, packed	270.002 mm 10.63 in
Packaging quantity	200
Weight, gross	0.023 kg 0.05 lb
Weight, net	18 g 0.04 lb

Regulatory Compliance/Certifications

Agency	Classification
CHINA-ROHS	Below maximum concentration value
ISO 9001:2015	Designed, manufactured and/or distributed under this quality management system
REACH-SVHC	Compliant as per SVHC revision on www.commscope.com/ProductCompliance
ROHS	Compliant
UK-ROHS	Compliant



* Footnotes

Immersion Depth	Immersion at specified depth for 24 hours
------------------------	-------------------------------------------