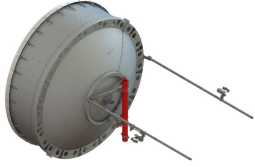


# USX10-7W-4GF



3.0m | 10ft Sentinel® Ultra High Performance, Super High XPD Antenna, dual-polarized, 7.125 – 8.500 GHz, PDR84 flange

## Product Classification

**Product Type** Microwave antenna

## General Specifications

**Antenna Type** USX - Sentinel® Ultra High Performance, Super High XPD Antenna, dual-polarized

**Polarization** Dual

**Antenna Input** PDR84

**Antenna Color** Gray

**Reflector Construction** Two-piece reflector

**Radome Color** Gray

**Radome Material** Fabric

**Flash Included** Yes

**Side Struts, Included** 2

**Side Struts, Optional** 3

## Dimensions

**Diameter, nominal** 3.0 m | 10 ft

## Electrical Specifications

**Operating Frequency Band** 7.125 – 8.500 GHz

**Gain, Low Band** 43.7 dBi

**Gain, Mid Band** 44.4 dBi

**Gain, Top Band** 45 dBi

**Boresite Cross Polarization Discrimination (XPD)** 40 dB

**Front-to-Back Ratio** 80 dB

**Beamwidth, Horizontal** 0.9 °

**Beamwidth, Vertical** 0.9 °

**Return Loss** 26 dB

# USX10-7W-4GF

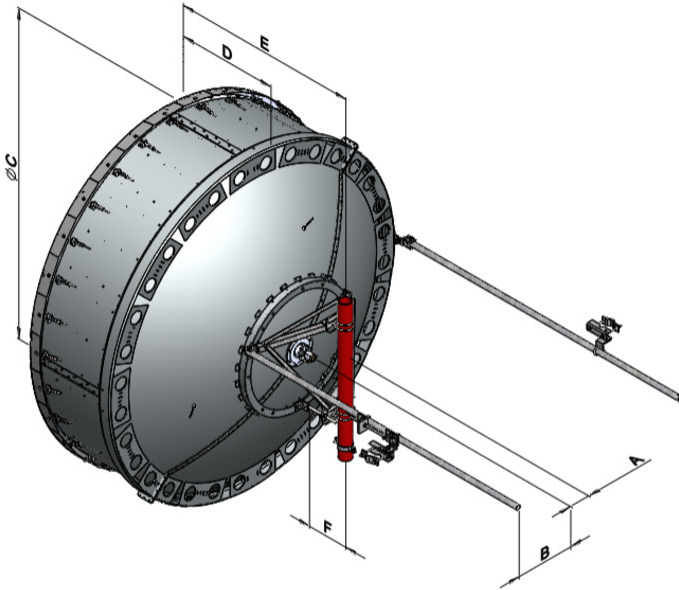
---

<b>VSWR</b>	1.1
<b>Radiation Pattern Envelope Reference (RPE)</b>	7425
<b>Electrical Compliance</b>	ACMA FX03_7p5a   Brazil Anatel Class 2   ETSI 302 217 Class 4
<b>Cross Polarization Discrimination (XPD) Electrical Compliance</b>	ETSI EN 302217 XPD Category 3
<b>Mechanical Specifications</b>	
<b>Compatible Mounting Pipe Diameter</b>	115 mm   4.5 in
<b>Fine Azimuth Adjustment Range</b>	±5°
<b>Fine Elevation Adjustment Range</b>	±5°
<b>Wind Speed, operational</b>	180 km/h   111.847 mph
<b>Wind Speed, survival</b>	200 km/h   124.274 mph

# USX10-7W-4GF

## Antenna Dimensions and Mounting Information

### USX10



Dimensions in inches (mm)						
Antenna Size, ft (m)	A	B	C	D	E	F
10 (3)	8.0 (203)	22.5 (572)	125.0 (3174)	38.6 (980)	71.1 (1807)	10.3 (262)

## Wind Forces at Wind Velocity Survival Rating

### Axial Force (FA)

18800 N | 4,226.409 lbf

### Angle a for MT Max

-130 °

### Side Force (FS)

-6560 N | -1,474.747 lbf

### Twisting Moment (MT)

-10725 N-m | -94,924.25 in lb

### Force on Inboard Strut Side

9500 N | 2,135.686 lbf

### Force on Outboard Strut Side

3350 N | 753.11 lbf

### Zcg without Ice

618 mm | 24.331 in

### Zcg with 1/2 in (12 mm) Radial Ice

744 mm | 29.291 in

# USX10-7W-4GF

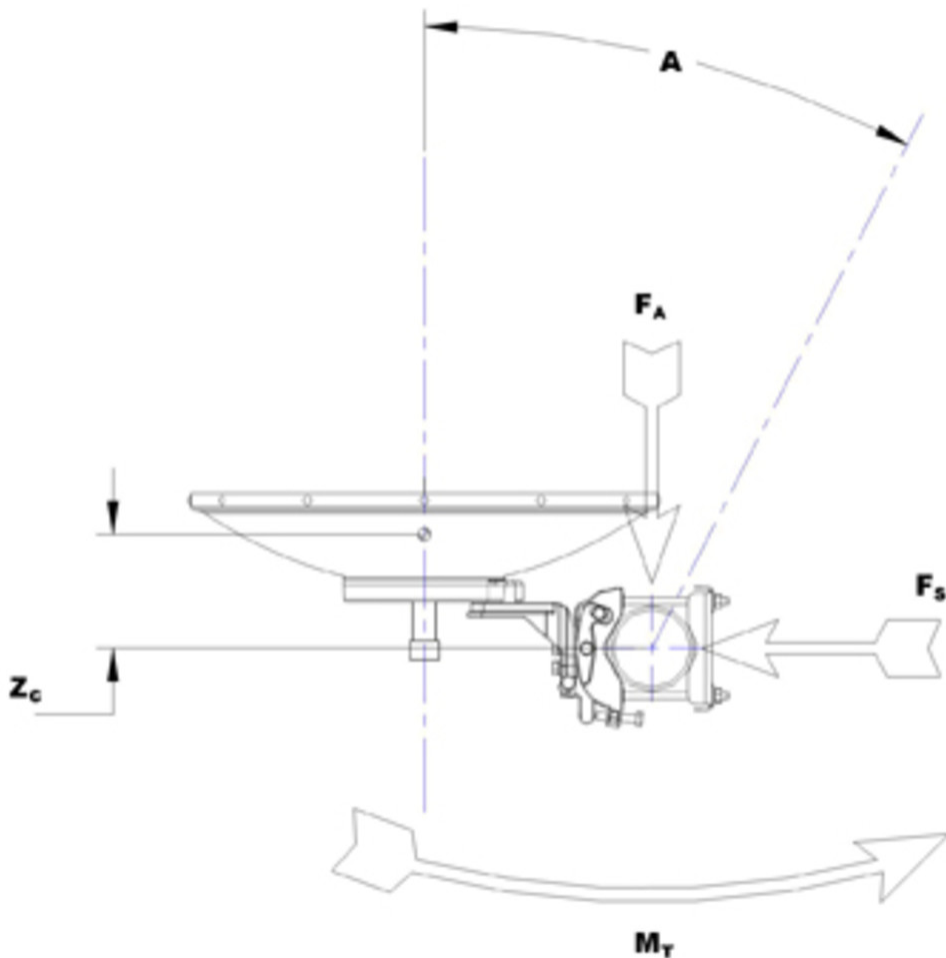
---

**Weight with 1/2 in (12 mm) Radial Ice**

466 kg | 1,027.353 lb

# USX10-7W-4GF

## Wind Forces at Wind Velocity Survival Rating Image



## Packaging and Weights

<b>Height, packed</b>	1170 mm   46.063 in
<b>Width, packed</b>	1930 mm   75.984 in
<b>Length, packed</b>	3410 mm   134.252 in
<b>Packaging Type</b>	Standard pack
<b>Volume</b>	7.7 m <sup>3</sup>   271.923 ft <sup>3</sup>
<b>Weight, gross</b>	513 kg   1,130.97 lb
<b>Weight, net</b>	263 kg   579.815 lb

## Regulatory Compliance/Certifications

# USX10-7W-4GF

Agency	Classification
CHINA-ROHS	Above maximum concentration value
ISO 9001:2015	Designed, manufactured and/or distributed under this quality management system
REACH-SVHC	Compliant as per SVHC revision on <a href="http://www.commscope.com/ProductCompliance">www.commscope.com/ProductCompliance</a>
ROHS	Compliant/Exempted



## \* Footnotes

### Operating Frequency Band

Bands correspond with CCIR recommendations or common allocations used throughout the world. Other ranges can be accommodated on special order.

### Gain, Mid Band

For a given frequency band, gain is primarily a function of antenna size. The gain of Andrew antennas is determined by either gain by comparison or by computer integration of the measured antenna patterns.

### Boresite Cross Polarization Discrimination (XPD)

The difference between the peak of the co-polarized main beam and the maximum cross-polarized signal over an angle twice the 3 dB beamwidth of the co-polarized main beam.

### Front-to-Back Ratio

Denotes highest radiation relative to the main beam, at  $180^\circ \pm 40^\circ$ , across the band. Production antennas do not exceed rated values by more than 2 dB unless stated otherwise.

### Return Loss

The figure that indicates the proportion of radio waves incident upon the antenna that are rejected as a ratio of those that are accepted.

### VSWR

Maximum; is the guaranteed Peak Voltage-Standing-Wave-Ratio within the operating band.

### Radiation Pattern Envelope Reference (RPE)

Radiation patterns define an antenna's ability to discriminate against unwanted signals. Under still dry conditions, production antennas will not have any peak exceeding the current RPE by more than 3dB, maintaining an angular accuracy of  $\pm 1^\circ$  throughout

### Cross Polarization Discrimination (XPD) Electrical Compliance

The difference between the peak of the co-polarized main beam and the maximum cross-polarized signal over an angle twice the 3 dB beamwidth of the co-polarized main beam.

### Wind Speed, operational

For VHLP(X), SHP(X), HX and USX antennas, the wind speed where the maximum antenna deflection is 0.3 x the 3 dB beam width of the antenna. For other antennas, it is defined as a deflection is equal to or less than 0.1 degrees.

# USX10-7W-4GF

---

## **Wind Speed, survival**

The maximum wind speed the antenna, including mounts and radomes, where applicable, will withstand without permanent deformation. Realignment may be required. This wind speed is applicable to antenna with the specified amount of radial ice.

## **Axial Force (FA)**

Maximum forces exerted on a supporting structure as a result of wind from the most critical direction for this parameter. The individual maximums specified may not occur simultaneously. All forces are referenced to the mounting pipe.

## **Side Force (FS)**

Maximum side force exerted on the mounting pipe as a result of wind from the most critical direction for this parameter. The individual maximums specified may not occur simultaneously. All forces are referenced to the mounting pipe.

## **Twisting Moment (MT)**

Maximum forces exerted on a supporting structure as a result of wind from the most critical direction for this parameter. The individual maximums specified may not occur simultaneously. All forces are referenced to the mounting pipe.

## **Packaging Type**

Andrew standard packing is suitable for export. Antennas are shipped as standard in totally recyclable cardboard or wire-bound crates (dependent on product). For your convenience, Andrew offers heavy duty export packing options.