

VHLP2-X80X23



0.6 m | 2 ft ValuLine® High Performance Low Profile Antenna, dual band, 71.000 – 86.000 GHz and 21.200 - 23.600 GHz

Product Classification

Product Type	Microwave antenna
Product Brand	ValuLine®

General Specifications

Antenna Type	VHLP - ValuLine® High Performance Low Profile Antenna, dual band
Polarization	Dual 80 GHz, Dual 23 GHz
Side Struts, Included	0
Side Struts, Optional	0

Dimensions

Diameter, nominal	0.6 m 2 ft
--------------------------	--------------

Electrical Specifications

Operating Frequency Band	71.000 – 86.000 GHz
Gain, Low Band	48.5 dBi
Gain, Mid Band	49.5 dBi
Gain, Top Band	50 dBi
Boresite Cross Polarization Discrimination (XPD)	27 dB
Front-to-Back Ratio	68 dB
Beamwidth, Horizontal	0.5 °
Beamwidth, Vertical	0.5 °
Return Loss	15 dB
VSWR	1.43
Radiation Pattern Envelope Reference (RPE)	7442

VHLP2-X80X23

Electrical Compliance

ETSI 302 217 Class 3 | US FCC Part 101.115

Electrical Specifications, Band 2

Operating Frequency Band

21.200 – 23.600 GHz

Gain, Low Band

39.3 dBi

Gain, Mid Band

39.4 dBi

Gain, Top Band

39.5 dBi

Beamwidth, Horizontal

1.5 °

Beamwidth, Vertical

1.5 °

Boresite Cross Polarization Discrimination (XPD)

30 dB

Boresite Cross Polarization Discrimination (XPD) Note

30 dB typical and subject to change without notice

Electrical Compliance

Canada SRSP 321.8 B | ETSI 302 217 Class 3 | FCC Cat A

Front-to-Back Ratio

66 dB

Radiation Pattern Envelope Reference (RPE)

7441

Return Loss

15 dB

VSWR

1.43

Mechanical Specifications

Compatible Mounting Pipe Diameter

50 mm–115 mm | 2.0 in–4.5 in

Fine Azimuth Adjustment Range

±9°

Fine Elevation Adjustment Range

±15°

Wind Speed at 23 GHz, operational

180 km/h | 111.847 mph

Wind Speed at 80 GHz, operational

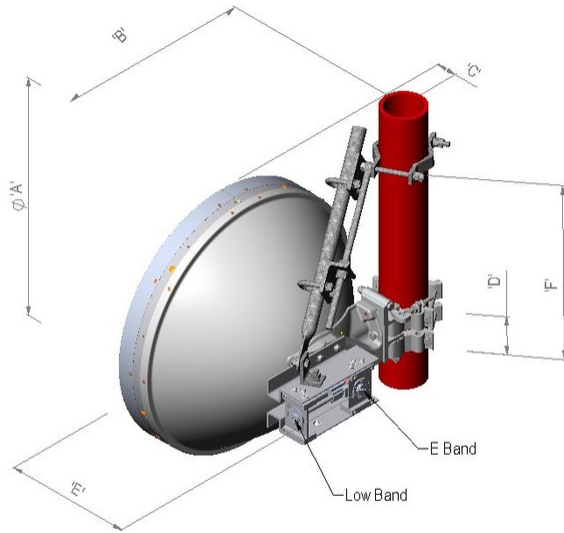
144 km/h | 89.477 mph

Wind Speed, survival

250 km/h | 155.343 mph

Antenna Dimensions and Mounting Information

VHLP2-X80X23



Dimensions in mm (Inches)						
Antenna Size, ft (m)	A	B	C	D	E	F
2 (0.6)	660 (25.9)	309 (12.2)	279 (10.9)	106 (4.2)	459 (18.1)	505 (19.8)

Wind Forces at Wind Velocity Survival Rating

Axial Force (FA)	1693 N 380.602 lbf
Side Force (FS)	814 N 182.995 lbf
Twisting Moment (MT)	756 N-m 6,691.164 in lb
Zcg without Ice	9 mm 0.354 in

Packaging and Weights

Weight, net	17 kg 37.479 lb
--------------------	-------------------

* Footnotes

Operating Frequency Band

Bands correspond with CCIR recommendations or common allocations used throughout the world. Other ranges can be accommodated on special order.

Gain, Mid Band

For a given frequency band, gain is primarily a function of antenna size. The gain of Andrew antennas is determined by either gain by comparison or by computer integration of the measured antenna patterns.

Boresite Cross Polarization Discrimination (XPD)

The difference between the peak of the co-polarized main beam and the maximum cross-polarized signal over an angle twice the 3 dB beamwidth

VHLP2-X80X23

of the co-polarized main beam.

Front-to-Back Ratio

Denotes highest radiation relative to the main beam, at $180^\circ \pm 40^\circ$, across the band. Production antennas do not exceed rated values by more than 2 dB unless stated otherwise.

Return Loss

The figure that indicates the proportion of radio waves incident upon the antenna that are rejected as a ratio of those that are accepted.

VSWR

Maximum; is the guaranteed Peak Voltage-Standing-Wave-Ratio within the operating band.

Radiation Pattern Envelope Reference (RPE)

Radiation patterns define an antenna's ability to discriminate against unwanted signals. Under still dry conditions, production antennas will not have any peak exceeding the current RPE by more than 3dB, maintaining an angular accuracy of $\pm 1^\circ$ throughout

Radiation Pattern Envelope Reference (RPE)

Radiation patterns define an antenna's ability to discriminate against unwanted signals. Under still dry conditions, production antennas will not have any peak exceeding the current RPE by more than 3dB, maintaining an angular accuracy of $\pm 1^\circ$ throughout

Wind Speed, survival

The maximum wind speed the antenna, including mounts and radomes, where applicable, will withstand without permanent deformation. Realignment may be required. This wind speed is applicable to antenna with the specified amount of radial ice.

Axial Force (FA)

Maximum forces exerted on a supporting structure as a result of wind from the most critical direction for this parameter. The individual maximums specified may not occur simultaneously. All forces are referenced to the mounting pipe.

Side Force (FS)

Maximum side force exerted on the mounting pipe as a result of wind from the most critical direction for this parameter. The individual maximums specified may not occur simultaneously. All forces are referenced to the mounting pipe.

Twisting Moment (MT)

Maximum forces exerted on a supporting structure as a result of wind from the most critical direction for this parameter. The individual maximums specified may not occur simultaneously. All forces are referenced to the mounting pipe.