



Fiber Optic Connector box, outdoor, black, no adapter

- designed for pre-terminated connectors or FIC in outdoor drop cable application
- accommodates industry standard SC adaptors in outdoor aerial ,wall-mounted or pole installation
- used for emergency repairs and maintenance, or urgent service turn-up requests
- supports figure-8 and 3mm drop cable, with option of 4.5mm-5mm outdoor drop cables

OBSOLETE

This product was discontinued on: December 6, 2018

Product Classification

Regional Availability Asia | Australia/New Zealand | EMEA | Latin America | North America

Product Type Fiber adapter enclosure

Product Series CB

General Specifications

Adapters, quantity 0

Cable Sealing Type Gel filled

Enclosure Color Black

Lock Type Hinged with latches

Mounting Wall

Dimensions

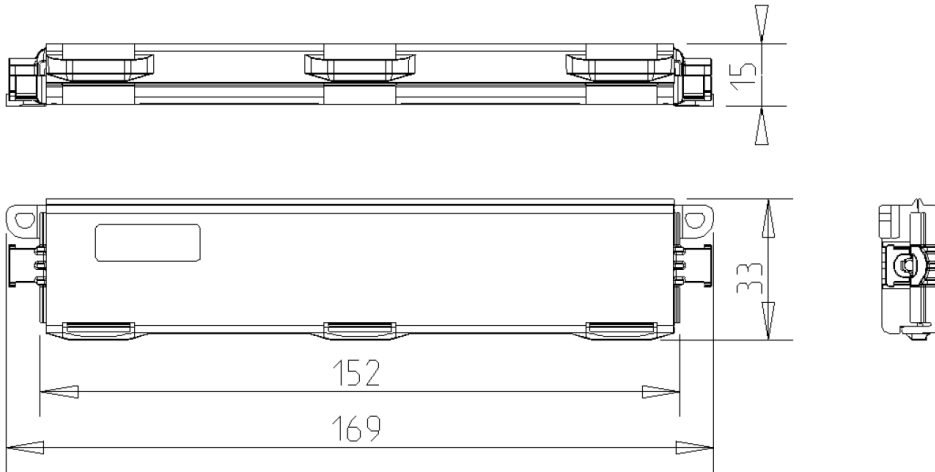
Height 15 mm | 0.591 in

Width 169 mm | 6.654 in

Depth 33 mm | 1.299 in

Dimension Drawing

CZ0661-000 | CB-NNB1



Material Specifications

Material Type Polypropylene plastic

Optical Specifications

Fiber Mode Singlemode

Environmental Specifications

Operating Temperature -40 °C to +65 °C (-40 °F to +149 °F)

Environmental Space Outdoor

Qualification Standards IEC 60529, IP54

UV Resistance UV stabilized

Packaging and Weights

Packaging quantity 1

Packaging Type Box | Carton

Regulatory Compliance/Certifications

Agency	Classification
CHINA-ROHS	Below maximum concentration value
REACH-SVHC	Compliant as per SVHC revision on www.commscope.com/ProductCompliance
ROHS	Compliant
UK-ROHS	Compliant

