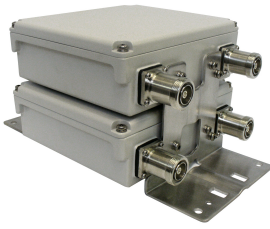


E11F01P25



Twin Diplexer, LTE 800/GSM 900 AISG compatible, dc pass on all ports

OBSOLETE

This product was discontinued on: July 1, 2022

Replaced By:

E11F02P72

Twin Diplexer, 700-800/900 MHz, dc pass on all ports

Product Classification

Product Type Diplexer

General Specifications

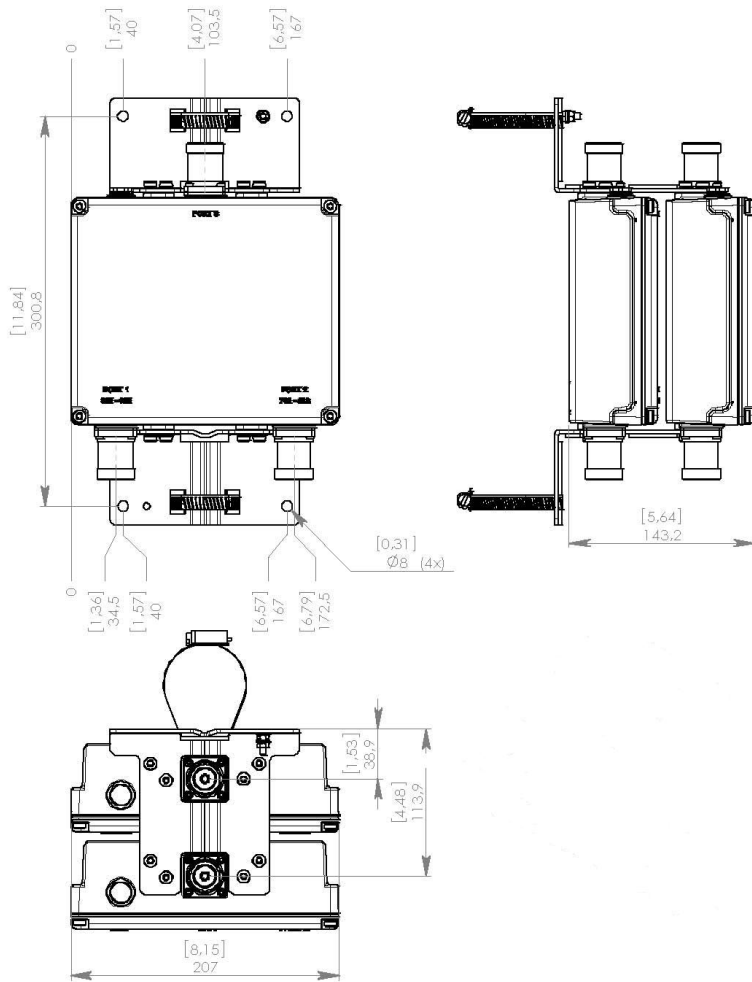
Product Family CBC89
Color Gray
Common Port Label Port 3
Modularity 2-Twin
Mounting Pole | Wall
Mounting Pipe Hardware Band clamps (2)
RF Connector Interface 7-16 DIN Female
RF Connector Interface Body Style Long neck

Dimensions

Height 175 mm | 6.89 in
Width 207 mm | 8.15 in
Depth 143.2 mm | 5.638 in
Mounting Pipe Diameter Range 40–140 mm

Outline Drawing

E11F01P25



Electrical Specifications

Impedance	50 ohm
License Band, Band Pass	CEL 900 EDD 800 LMR 750

Electrical Specifications, dc Power/Alarm

dc/AISG Pass-through, combiner	Branch 1 Branch 2
dc/AISG Pass-through, demultiplexer	Branch 1 Branch 2
Lightning Surge Current	3 kA
Lightning Surge Current Waveform	10/350 waveform

Electrical Specifications

Sub-module	1 2	1 2
-------------------	-------	-------

E11F01P25

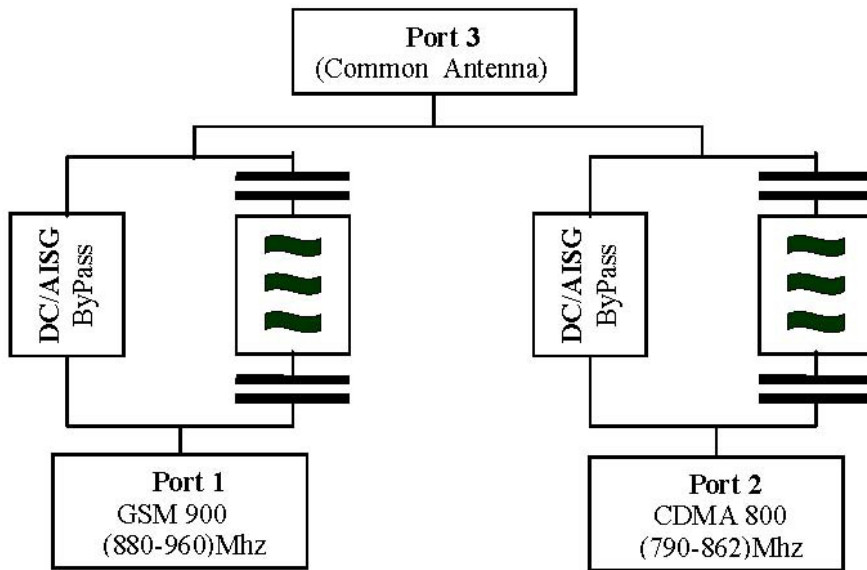
Branch	1	2
Port Designation	PORT 2 790-862	PORT 1 880-960
License Band	EDD 800, Band Pass	CEL 900, Band Pass LMR 750, Band Pass

Electrical Specifications, Band Pass

Frequency Range, MHz	790–862	880–960
Insertion Loss, typical, dB	0.35	0.35
Return Loss, typical, dB	20	20
Isolation, minimum, dB	50	50
Input Power, RMS, maximum, W	200	200
3rd Order PIM, typical, dBc	-155	-155
3rd Order PIM Test Method	Two +43 dBm carriers	Two +43 dBm carriers

E11F01P25

Block Diagram



Environmental Specifications

Operating Temperature	-40 °C to +65 °C (-40 °F to +149 °F)
Corrosion Test Method	IEC 60068-2-11, 30 days
Ingress Protection Test Method	IEC 60529:2001, IP67

Packaging and Weights

Included	Mounting hardware
Weight, net	7.5 kg 16.535 lb

Regulatory Compliance/Certifications

Agency	Classification
ISO 9001:2015	Designed, manufactured and/or distributed under this quality management system

