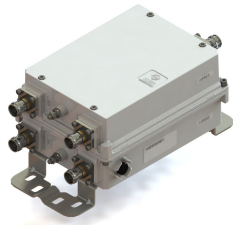


# E11F13P46-V



Twin Diplexer, 700/900 MHz, RJ40, dc block on all ports with hybrid connectors 4.3-10 input and 7/16 output

- Industry leading PIM performance
- dc/AISG blocking on all ports
- Twin configuration
- Hybrid connectors 4.3-10 input and 7/16 output

## OBSOLETE

This product was discontinued on: December 30, 2024

### Replaced By:

E14F05P89

Ultra Compact Twin Diplexer 700-800/900, 4.3-10 connectors.

## Product Classification

**Product Type** Diplexer

## General Specifications

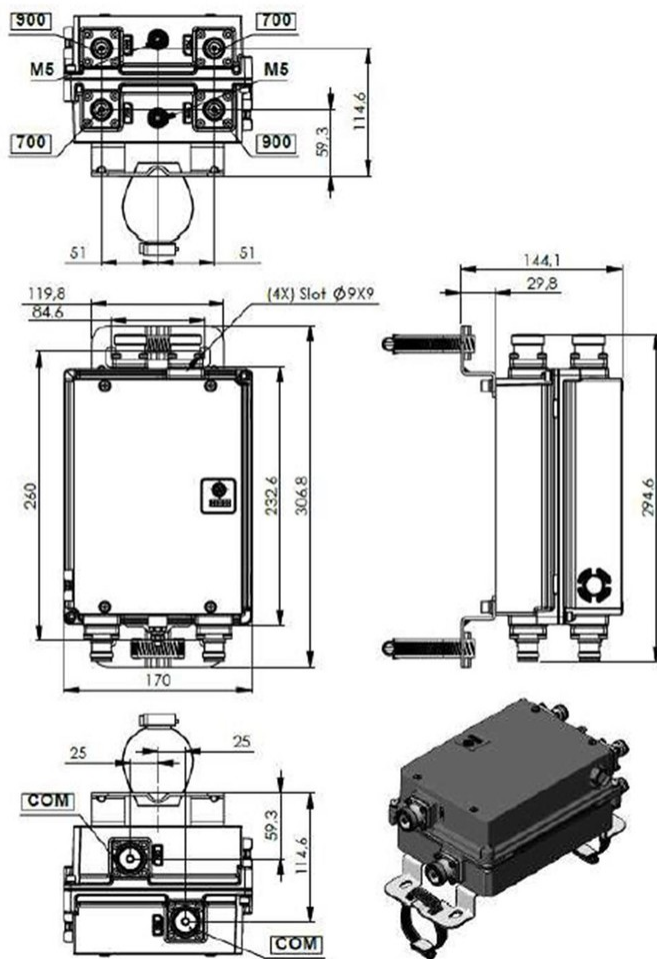
<b>Product Family</b>	CBC79X
<b>Color</b>	Gray
<b>Common Port Label</b>	Port 3
<b>Modularity</b>	2-Twin
<b>Mounting</b>	Pole   Wall
<b>Mounting Pipe Hardware</b>	Band clamps (2)
<b>RF Connector Interface</b>	4.3-10 Female   7-16 DIN Female
<b>RF Connector Interface Body Style</b>	Long neck

## Dimensions

<b>Height</b>	307 mm   12.087 in
<b>Width</b>	170 mm   6.693 in
<b>Depth</b>	144 mm   5.669 in
<b>RF Connector Length</b>	25 mm   0.984 in
<b>Ground Screw Diameter</b>	5 mm   0.197 in
<b>Mounting Pipe Diameter Range</b>	42.6–122 mm

# E11F13P46-V

## Outline Drawing



## Electrical Specifications

**Insertion Loss Ripple, maximum**

0.2 dB

**Electrical Safety Standard**

EN 60950

**Electromagnetic Compatibility/Interference (EMC/EMI)**

EN 55022 | ETSI 301 489-1 V1.8.1

**Impedance**

50 ohm

**License Band, Band Pass**

APT 700 | CEL 900 | EDD 800 | LMR 750

## Electrical Specifications, dc Power/Alarm

**dc/AISG Pass-through Method**

No dc/AISG pass-through

**dc/AISG Pass-through, combiner**

dc/AISG blocking on all ports

# E11F13P46-V

<b>dc/AISG Pass-through, demultiplexer</b>	dc/AISG blocking on all ports
<b>Lightning Surge Current</b>	10 kA
<b>Lightning Surge Current Waveform</b>	8/20 waveform

## Electrical Specifications

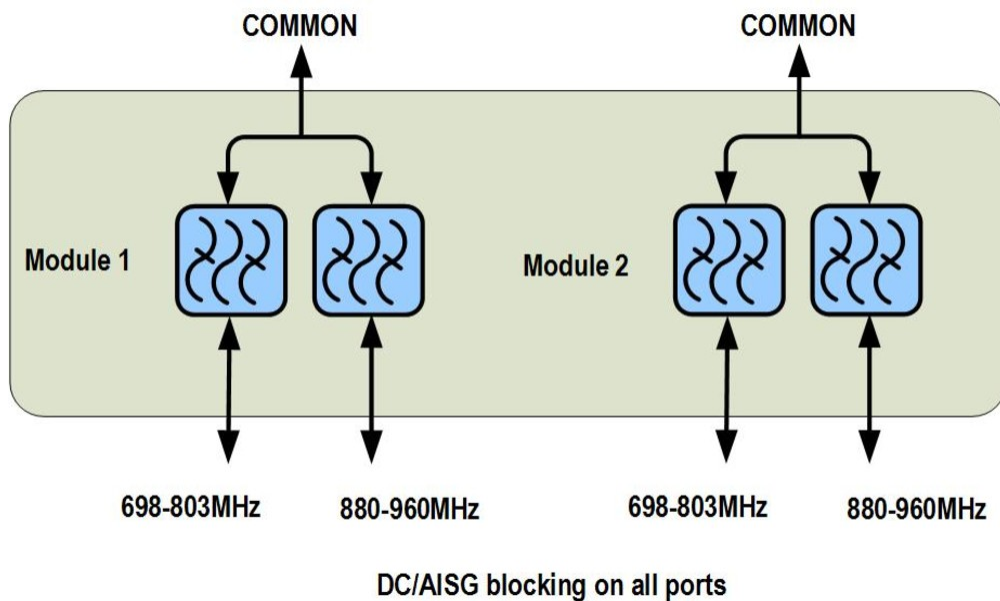
<b>Sub-module</b>	<b>1   2</b>	<b>1   2</b>
<b>Branch</b>	1	2
<b>Port Designation</b>	698-803	880-960
<b>License Band</b>	APT 700, Band Pass	CEL 900, Band Pass

## Electrical Specifications, Band Pass

<b>Frequency Range, MHz</b>	<b>698–803</b>	<b>880–960</b>
<b>Insertion Loss, maximum, dB</b>	0.5	0.5
<b>Insertion Loss, typical, dB</b>	0.25	0.25
<b>Return Loss, minimum, dB</b>	18	18
<b>Return Loss, typical, dB</b>	20	20
<b>Isolation, minimum, dB</b>	50	50
<b>Isolation, typical, dB</b>	55	55
<b>Input Power, RMS, maximum, W</b>	200	200
<b>Input Power, PEP, maximum, W</b>	2000	2000
<b>3rd Order PIM, typical, dBc</b>	-158	-158
<b>3rd Order PIM Test Method</b>	Two +43 dBm carriers	Two +43 dBm carriers

## Block Diagram

# E11F13P46-V



## Material Specifications

**Finish** Painted

## Mechanical Specifications

**Mechanical Shock Test Method** IEC 60068-2-27

**Wind Speed, maximum** 200 km/h (124 mph)

## Environmental Specifications

**Operating Temperature** -30 °C to +70 °C (-22 °F to +158 °F)

**Corrosion Test Method** IEC 60068-2-11, 30 days

**Environmental Test Method** ETSI EN 300 019-1-4

**Ingress Protection Test Method** IEC 60529:2001, IP67

**Mean Time Between Failures, minimum** 1000000 h

**Thermal Shock Test Method** IEC 60068-2-14

**UV Resistance Test Method** IEC 60068-2-5

**Vibration Test Method** IEC 60068-2-6

## Packaging and Weights

**Included** Mounting hardware

**Volume** 4.5 L

# E11F13P46-V

---

**Weight, net**

5.6 kg | 12.346 lb

**Weight, without mounting hardware**

5.1 kg | 11.244 lb

## Regulatory Compliance/Certifications

**Agency**

ISO 9001:2015

**Classification**

Designed, manufactured and/or distributed under this quality management system