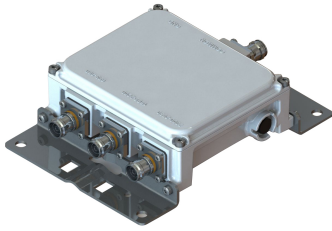


E12F01P93



Triplexer 700-900/1700-2100/2300-2700, dc bypass on all ports

- Industry leading PIM performance
- Designed for network Modernization, introduction of LTE1800 on existing site
- Designed for network Modernization, introduction of LTE2600 on existing site
- DC/AISG passing on all ports
- Single configuration
- New 4.3-10 connectors for improved PIM performance and size reduction

Product Classification

Product Type Triplexer

General Specifications

Product Family CBC182126

Color Gray

Common Port Label COM

Modularity 1-Single

Mounting Pole | Wall

Mounting Pipe Hardware Band clamps (2)

RF Connector Interface 4.3-10 Female

RF Connector Interface Body Style Medium neck

Dimensions

Height 182 mm | 7.165 in

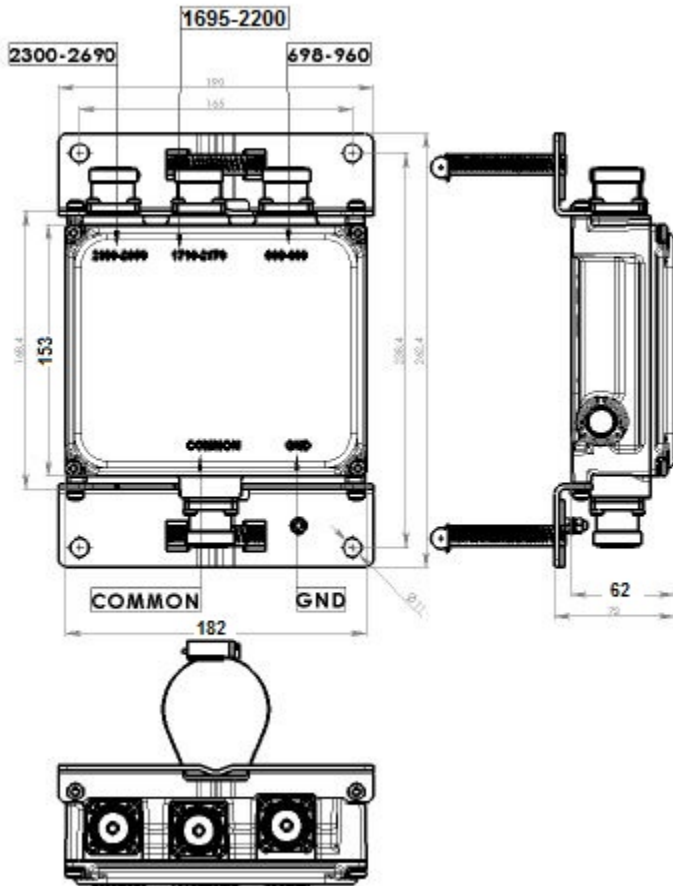
Width 62 mm | 2.441 in

Depth 168 mm | 6.614 in

Mounting Pipe Diameter Range 42.6–122 mm

E12F01P93

Outline Drawing



Electrical Specifications

Impedance 50 ohm

Electrical Specifications, dc Power/Alarm

dc/AISG Pass-through, combiner Branch 1 | Branch 2 | Branch 3

dc/AISG Pass-through, demultiplexer Branch 1 | Branch 2 | Branch 3

Lightning Surge Current 5 kA

Lightning Surge Current Waveform 8/20 waveform

Electrical Specifications

Sub-module	1	1	1
-------------------	---	---	---

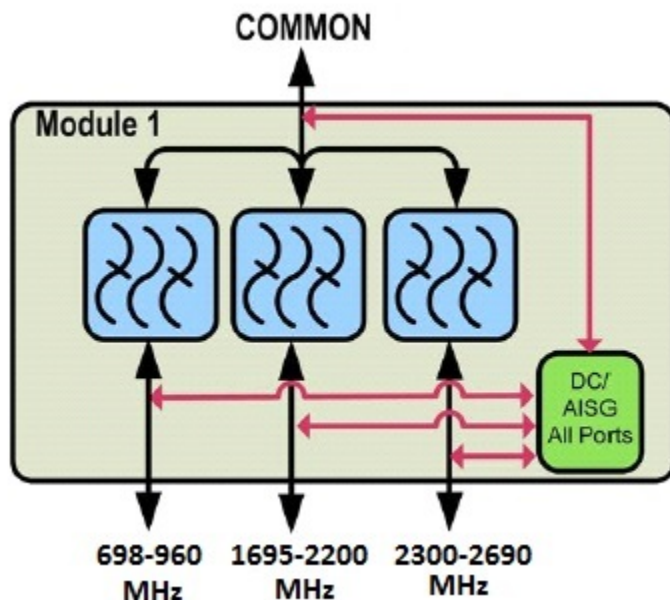
E12F01P93

Branch	1	2	3
Port Designation	700-900	1700-2100	2300-2700
License Band	USA 700, Band Pass EDD 800, Band Pass CEL 850, Band Pass CEL 900, Band Pass	IMT 2100, Band Pass DCS 1800, Band Pass	WCS 2300, Band Pass IMT 2600, Band Pass

Electrical Specifications, Band Pass

Frequency Range, MHz	698–960	1710–2170	2300–2690
Insertion Loss, typical, dB	0.15	0.3	0.35
Group Delay Variation, maximum, ns	25	25	25
Total Group Delay, typical, ns	30	15	15
Return Loss, typical, dB	20	20	20
Isolation, minimum, dB	50	50	50
Input Power, RMS, maximum, W	300	300	300
Input Power, PEP, maximum, W	3500	3500	3500
3rd Order PIM, typical, dBc	-157	-157	-157
3rd Order PIM Test Method	Two +43 dBm carriers	Two +43 dBm carriers	Two +43 dBm carriers

Block Diagram



Environmental Specifications

Operating Temperature -40 °C to +65 °C (-40 °F to +149 °F)

E12F01P93

Relative Humidity	Up to 100%
Corrosion Test Method	IEC 60068-2-11, 30 days
Ingress Protection Test Method	IEC 60529:2001, IP67

Packaging and Weights

Included	Mounting hardware
Volume	1.9 L
Weight, net	3.2 kg 7.055 lb