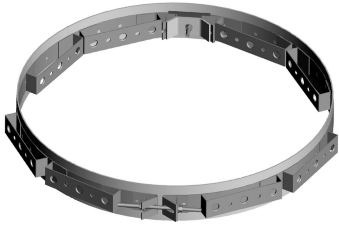


# EX-P1060

---



Ex-Press® Expansion/Compression Coaxial Cable Mounting Band; For patents, see [www.cs-pat.com](http://www.cs-pat.com).

## Product Classification

<b>Portfolio</b>	CommScope®
<b>Product Type</b>	Mounting band
<b>Ordering Note</b>	CommScope® non-standard product
<b>Warranty</b>	One year

## General Specifications

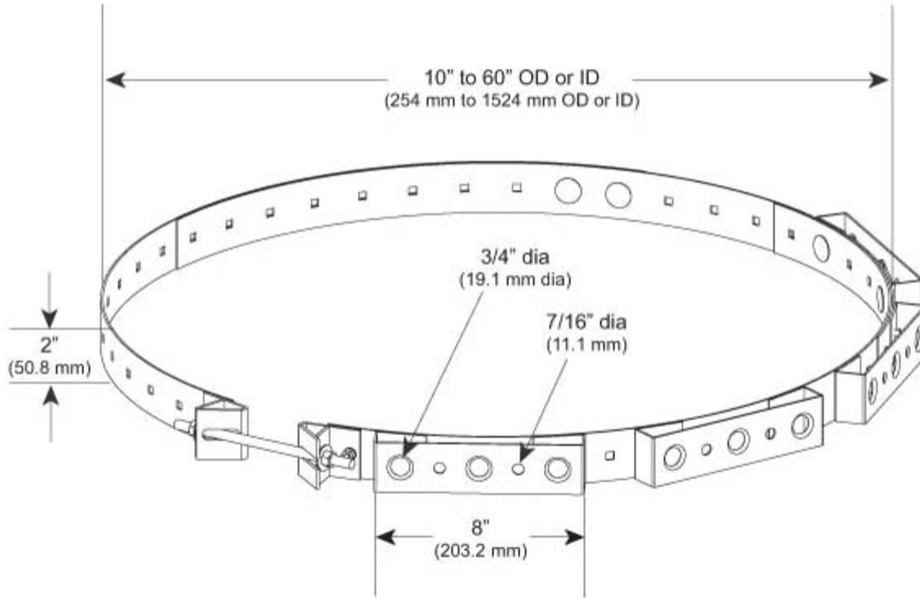
<b>Hole, quantity</b>	12
<b>Mounting</b>	Access tube, 914.4–1524 mm (36–60 in)   Polygon monopole, 254–1524 mm (10–60 in)   Round monopole, 254–1524 mm (10–60 in)

## Dimensions

<b>Height</b>	76.2 mm   3 in
<b>Width</b>	1524 mm   60 in
<b>Length</b>	1524 mm   60 in
<b>Hole Size</b>	3/4 in   7/16 in

# EX-P1060

## Outline Drawing



## Material Specifications

**Material Type** Aluminum | Hot dip galvanized steel

## Packaging and Weights

**Included** Bands | Brackets | Hardware

**Packaging quantity** 1

**Weight, net** 2.8 kg | 6.173 lb

## Regulatory Compliance/Certifications

### Agency

ISO 9001:2015

REACH-SVHC

ROHS

UK-ROHS

### Classification

Designed, manufactured and/or distributed under this quality management system

Compliant as per SVHC revision on [www.commscope.com/ProductCompliance](https://www.commscope.com/ProductCompliance)

Compliant

Compliant



# EX-P1060

---

\* Footnotes

**Warranty**

For more information, please consult our Product Warranty guidelines