

COMMSCOPE®

FMT Series Fiber Optic Panels

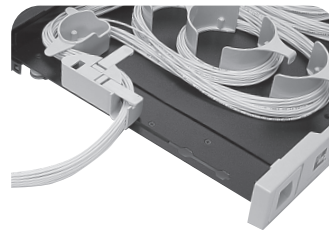
Introduction

Cable management is an essential consideration in any successful fiber communications network. CommScope's FMT series fiber optic panel enables termination, termination/splicing, termination/storage, splicing only and slack storage for optical fibers in a compact 1 or 2 RU panel.



SLIDING RADIUS LIMITER

Sliding radius limiters provide ultimate fiber management by addressing one of the most critical elements of fiber cable management: bend radius protection. By controlling the movement of fibers into the drawer, error-proof slack loop management is maintained, ensuring proper bend radius protection. This is crucial to protecting fiber, eliminating service failures and decreasing costs.



SLIDING ADAPTER PACK

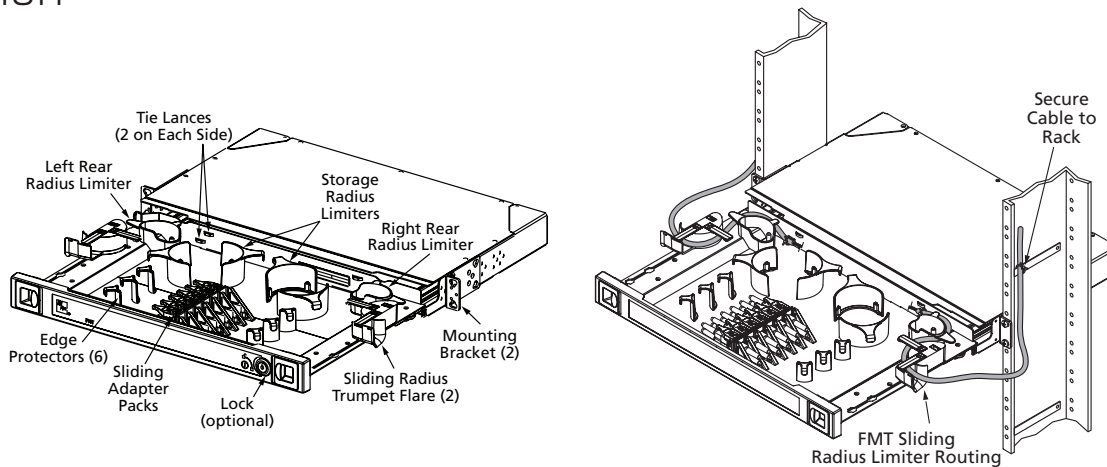
Sliding adapter packs allow easy access for connecting jumpers and cleaning connectors, ensuring that any fiber can be installed or removed without disturbing adjacent fibers. That means a significant reduction in connector installation/reconfiguration time.

ADAPTABLE DESIGN

CommScope's modular design offers the value of a single interface for performing multiple tasks in your network. By employing a 1 or 2 RU modular drawer, network technicians have familiar access to terminating, splicing and storing fiber. This cable management approach translates to time and money saved for moves, adds and changes.



Introduction



12-Termination/Storage Drawer, Universal Entry

Termination-Only Drawers

This FMT accommodates 24-, 32-, 48-, 72- or 96 - standard single circuit access connectors in 1 or 2 RU drawers. It is ideal for interconnect applications that will experience minimal network reconfiguration.

Termination and Splice Drawers

This FMT has termination/splicing capability for 12-, 16- or 24-fibers within 1 RU or 48-fibers in 2 RU. Splice trays can be placed on the left and right side of the FMT, offering great flexibility in ordering the panel to fit your specific network application.

Termination and Storage Drawers

This FMT accommodates terminations in groups of 12, 16 or 24. This panel stores slack fiber for the line and/or equipment side of the demarcation. It's an ideal solution for interconnect applications that may see some reconfiguration activity and where exact patch cord lengths cannot be determined. Slack storage within the drawer also allows for reconnectorization of the fiber.

Slack Storage Drawers

These FMTs properly manage and protect excess optical jumper length at the equipment frame. They may be used in conjunction with other FMT solutions or as a stand-alone slack storage solution at the equipment frame. Both bulk and discrete storage solutions are available to accommodate industry-standard jumper configurations.

Sliding Radius Limiters

Minimize fiber movement during drawer usage and the need for a long slack loop.

Sliding Adapter Packs

Two adapter/connectors in 1 RU panels and six in 2 RU panels provide easy hand access for connecting cables and cleaning connectors.

Edge Protectors

Protect cables from sharp angles at bend points in the cable routing.

Rear Radius Limiters

Maintain a protective minimum bend radius for cables routed into the FMT.

Tie Lances

Secure fibers at the ingress/egress point for additional cable management.

Storage Radius Limiters

Provide slack storage for cable terminated within the FMT.

Lockable

Allows controlled accessibility to the drawer.

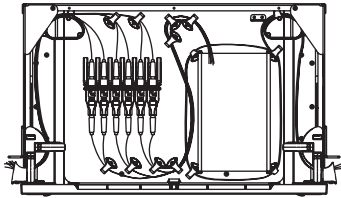
Product Overview

	FMT 1 RU Rack Mount	FMT 2 RU Rack Mount
Recommended Applications	Small to medium fiber count application. Offers the secure fiber protection that comes with a drawer solution coupled with a high degree of cable management. Ideal for mixed use with active equipment in either frame or cabinet applications.	
Description	1.75"H – all front access 19"/23" all purpose drawer; high-density 1 RU chassis	3.5"H – all front access 19"/23" all purpose drawer; high-density 2 RU chassis
Number of fibers, future growth potential	12 to 32	Termination/Splice: 48 Termination only: 72 (96 with LC)
Interconnect	Ideal	Ideal
Cross-connect	Yes	Yes
Accommodates on-frame splicing	Yes. Built-in	Yes. Built-in
Accommodates off-frame splicing	Yes	Yes
Rear access	Not required	Not required
All front access	Yes	Yes
Customer premises application	Ideal	Ideal
19" mounting	Yes	Yes
23" mounting	Yes	Yes
Cabinet mount	Yes	Yes
Wall mount	Yes. A wall mount kit is available	Yes. A wall mount kit is available
Mix equipment with fiber product?	Ideal	Ideal
Use as dedicated fiber frame	Not recommended.	Not recommended.
VAM capabilities	No	Yes. MicroVAM plug-ins available
Optimum jumper storage location	Can be configured with storage	Can be configured with storage
Vertical cable guide	VCG available as separate item	VCG available as separate item

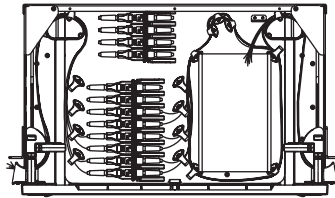
1 RU Fiber Termination/Splice Drawers with Adapters or Pigtail

Features

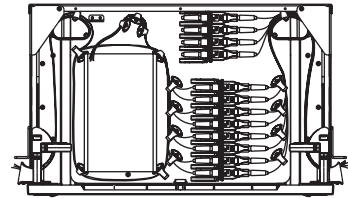
- Terminates and splices 12-, 16- or 24-fibers in an all front access design
- Mounts in 19- or 23-inch racks
- Sliding radius limiters provide cable management for incoming and outgoing fibers
- Panels loaded with pigtailed come with color-coded 900 μm pigtailed



1 RU 12-Termination/Splice Drawer
(Right Splice Entry)



1 RU 24-Termination/Splice Drawer
(Right Splice Entry)



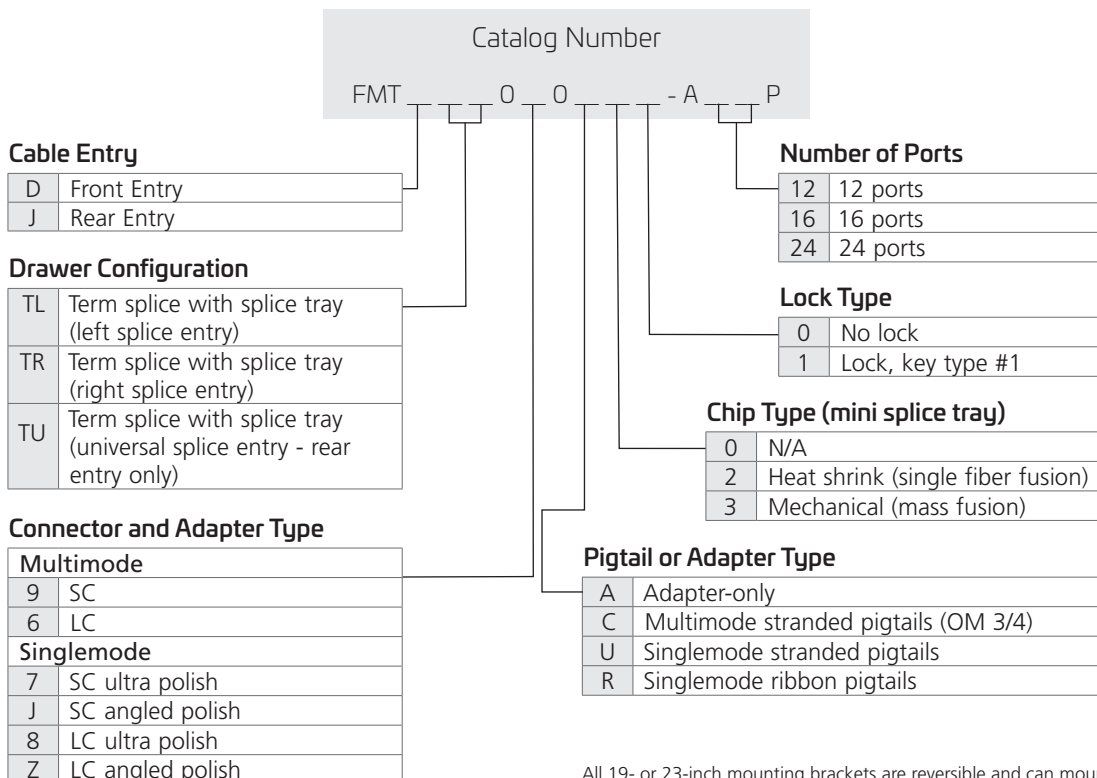
1 RU 24-Termination/Splice Drawer
(Left Splice Entry)



1 RU 12-Termination/Splice Drawer
(Right Splice Entry)



1 RU 24-Termination/Splice Drawer
(Right Splice Entry)



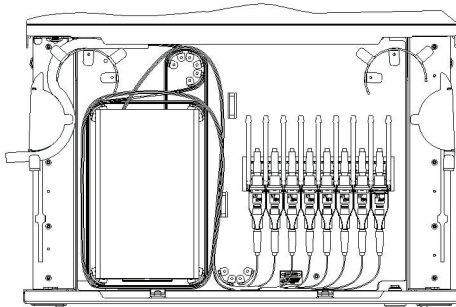
All 19- or 23-inch mounting brackets are reversible and can mount in EIA and WECCO racks.

Other configurations are available upon request. Please contact CommScope's Technical Assistance Center.

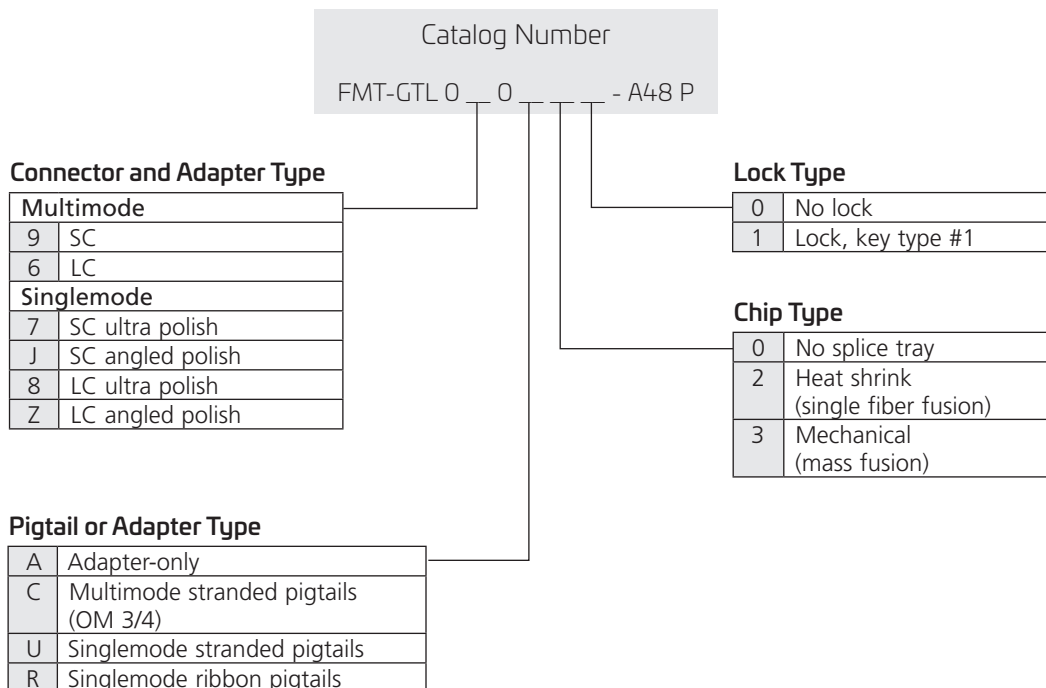
2 RU Fiber Termination/Splice Drawers with Adapters or Pigtails

Features

- Terminates and splices 48-fibers in an all-front-access design
- Mounts in 19- or 23-inch racks
- Sliding radius limiters provide cable management for incoming and outgoing fibers
- Panels loaded with pigtails come with color-coded 900 μm pigtails



2 RU 48-Termination/Splice Drawer

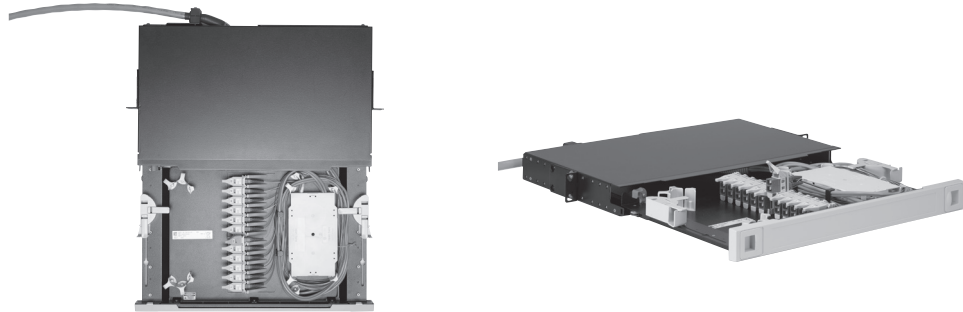


Other configurations are available upon request. Please contact CommScope's Technical Assistance Center.

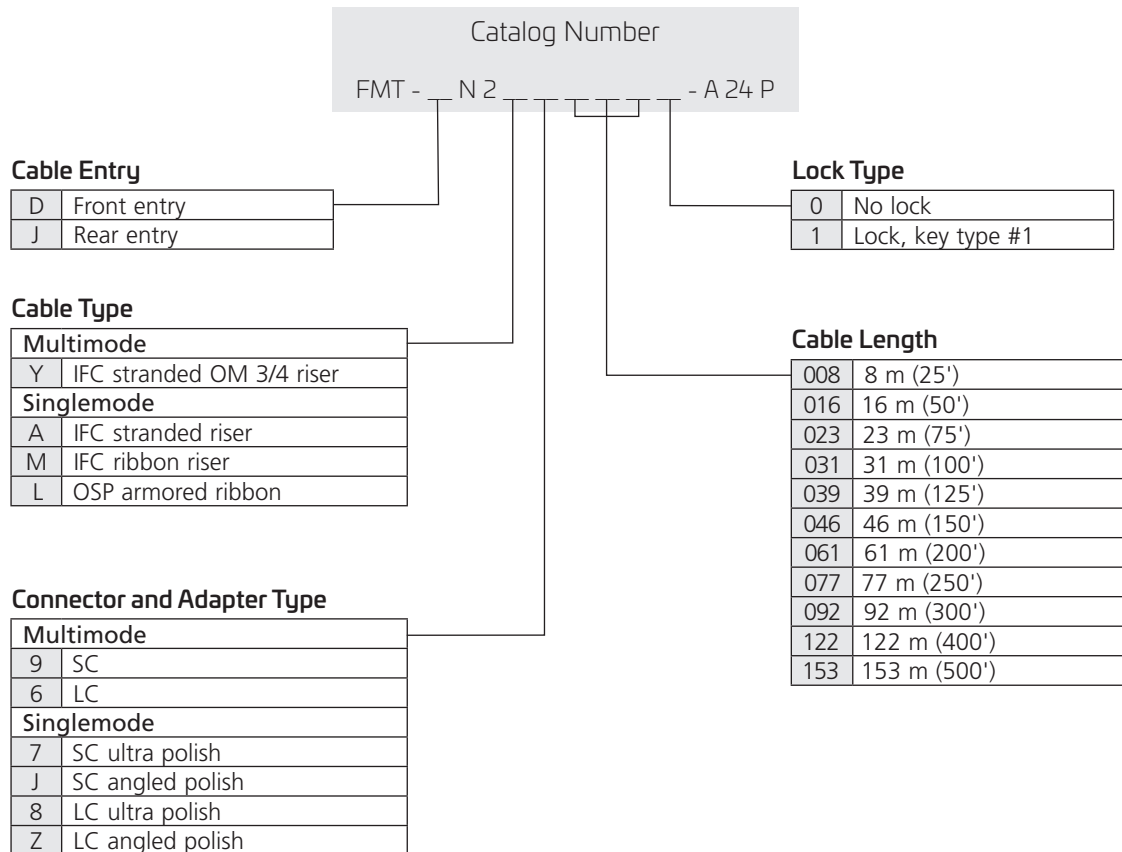
1 RU Fiber Termination Drawers with Multifiber Cable (Preterminated)

Features

- Allows for termination of a 24-fiber cable preterminated with IFC or OSP and shipped attached to the panel
- Minimizes installation time and expense



1 RU 24-Position Termination Drawer with Multifiber Cable (IFC or OSP)

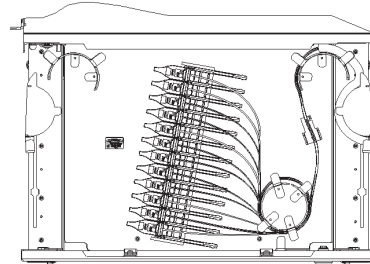


Other configurations are available upon request. Please contact CommScope's Technical Assistance Center.

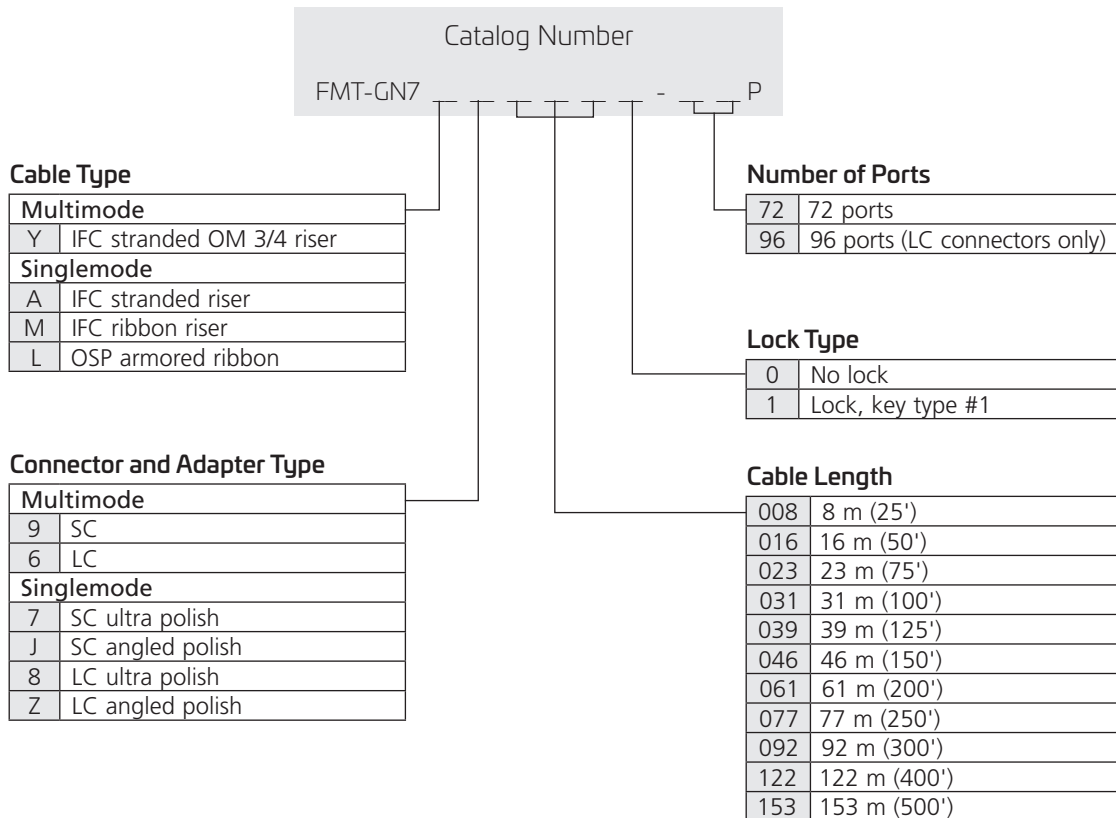
2 RU Fiber Termination Drawers with Multifiber Cable (Preterminated)

Features

- Provides termination for 72- or 96-fibers preterminated with IFC or OSP multifiber cable
- Mounts in 19- or 23-inch racks
- Sliding radius limiters provide cable management for incoming and outgoing fibers



2 RU 72-Termination Drawer with Multifiber Cable (IFC or OSP)



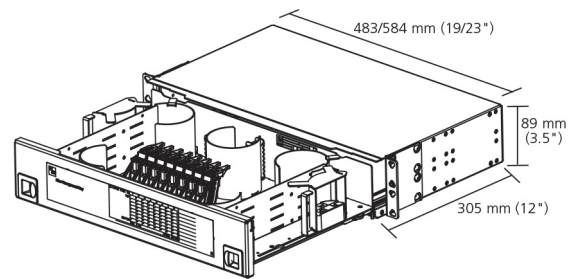
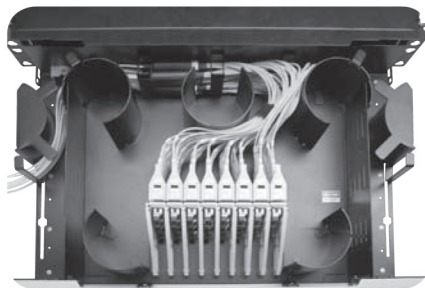
Other configurations are available upon request. Please contact CommScope's Technical Assistance Center.

2 RU Fiber Termination Drawers with MPO Connectors

Active equipment manufacturers are increasingly building DWDM transceivers that use the multifiber MPO connector. While the MPO provides a compact interface on the transceiver card, most service providers require single-circuit access. This creates the need for a conversion from the multifiber MPO to a single-fiber connector. CommScope's Fiber Management Tray (FMT) is a compact two rack-unit termination panel that features industry-leading cable management and CommScope's sliding adapter packs, thereby enabling safe single-circuit access. The FMT can also be configured with high-quality MPO to LC breakout cables that provide the connectivity between the DWDM transceiver and the FMT panel.

Features

- Low-loss MPO to LC breakout cables enable test access points for each card, provide single-circuit access for moves, adds or changes and high-quality terminations induce minimum insertion loss in circuit
- Total front access termination drawer allows quick and easy connection between active equipment and fiber distribution frame line-up
- Industry-leading cable management protects bend radius, provides clean and organized cable routing pathways and protects traffic-carrying fiber from physical damage
- Sliding adapter packs grouped into counts of eight LC adapters allow access to each individual fiber from one card, eliminating the possibility of disturbing adjacent fibers
- Panel provides a demarcation point for MPO
- MPO insertion loss (1310 and 1550 nm): 0.5 dB maximum; 0.2 dB typical
- MPO return loss (1310 and 1550 nm): -65 dB minimum
- LC insertion loss (1310 and 1550 nm): 0.3 dB maximum; 0.1 dB typical
- LC return loss (1310 and 1550 nm): -55 dB minimum



FMT 2 RU Empty Panel

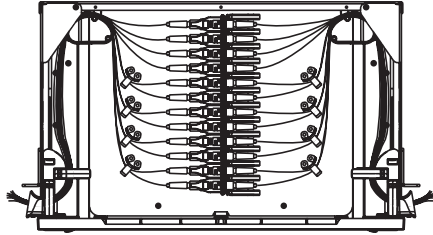
Ordering Information

Description	Catalog Number
2 RU termination panel with MPO connectors	
80-position panel loaded with MPO to LC/UPC assemblies (8-fiber female APC MPO to 64-LC terminations)	FMT-GM7B808F0-A80P
64-position panel loaded with MPO to LC/UPC assemblies (8-fiber female APC MPO to 64-LC terminations)	FMT-GM7B808F0-A64P
2 RU termination panel with adapters-only	
64-position panel loaded with LC/UPC adapters	FMT-GM7B80A00-A64P
80-position panel loaded with LC/UPC adapters	FMT-GM7B80A00-A80P
Cable assembly	
MPO to LC/UPC cable assembly (8-fiber female APC MPO); 2 meters long	MRE-AF/OKBA1.7M11

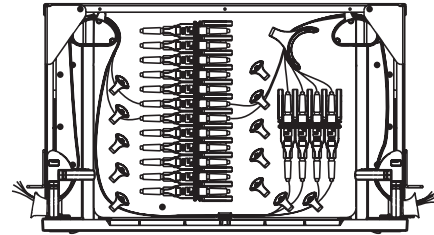
1 RU Adapter-Only Fiber Termination Drawers

Features

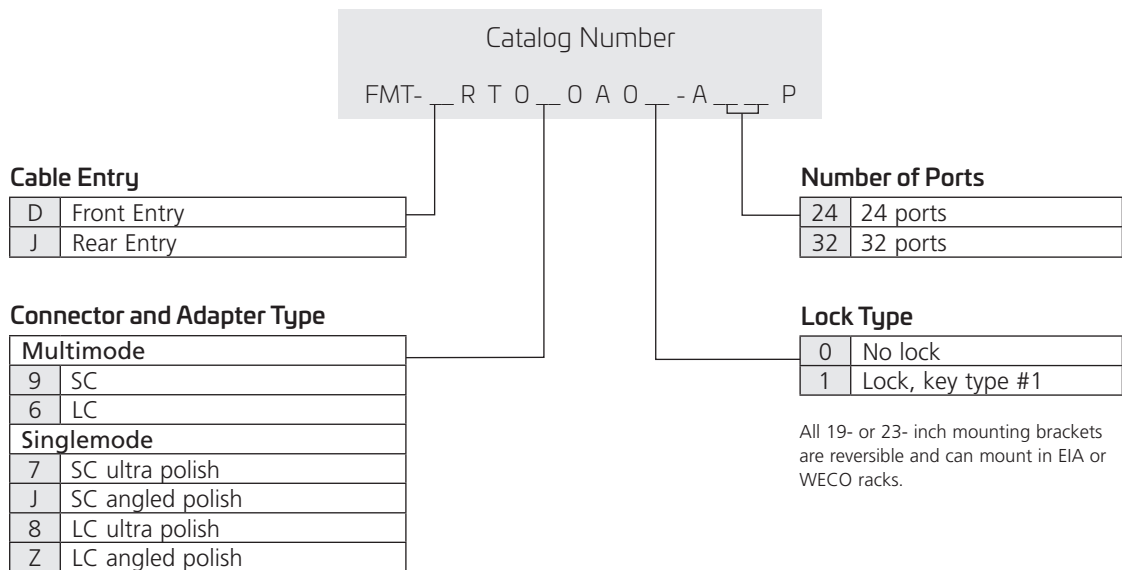
- Provides termination for 24- or 32-fibers in an all-front-access design
- Mounts in 19- or 23-inch racks
- Sliding radius limiters provide cable management for incoming and outgoing fibers



1 RU 24-Termination
Adapter-Only Drawer



1 RU 32-Termination
Adapter-Only Drawer



Other configurations are available upon request. Please contact CommScope's Technical Assistance Center.

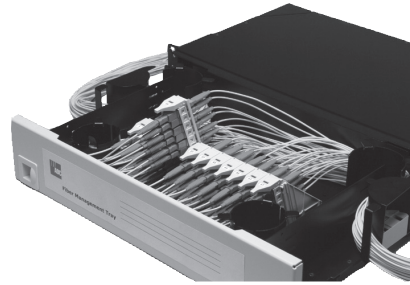
2 RU Adapter-Only Fiber Termination Drawers

Features

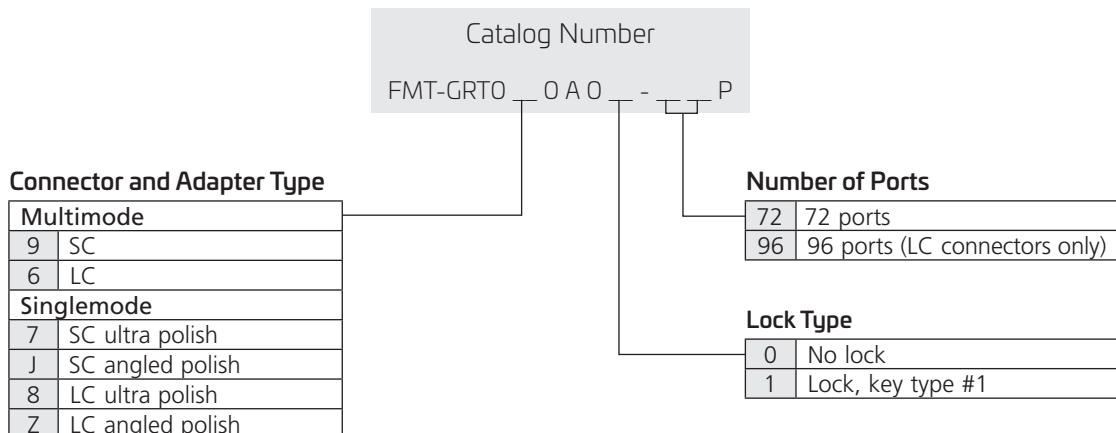
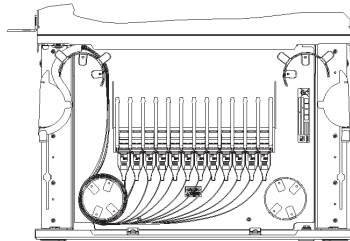
- Provides termination for 72- or 96-fibers in an all-front-access design
- Mounts in 19- or 23-inch racks
- Sliding radius limiters provide cable management for incoming and outgoing fibers



2 RU 72-Termination
Adapter-Only Drawer



Sliding Adapter Pack Shown in Access Position



Other configurations are available upon request. Please contact CommScope's Technical Assistance Center.

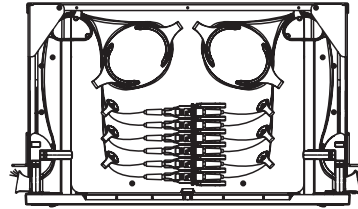
1 RU Fiber Termination/Storage Drawers

Features

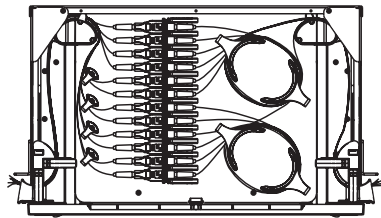
- Terminates and stores 12- or 24-fibers in an all-front-access design
- Mounts in 19- or 23-inch racks
- Sliding radius limiters provide cable management for incoming and outgoing fibers



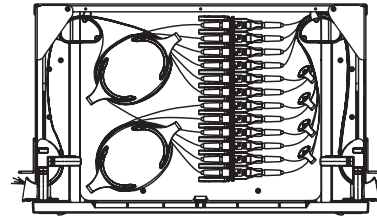
1 RU 12-Termination/Storage Drawer
(Universal Storage)



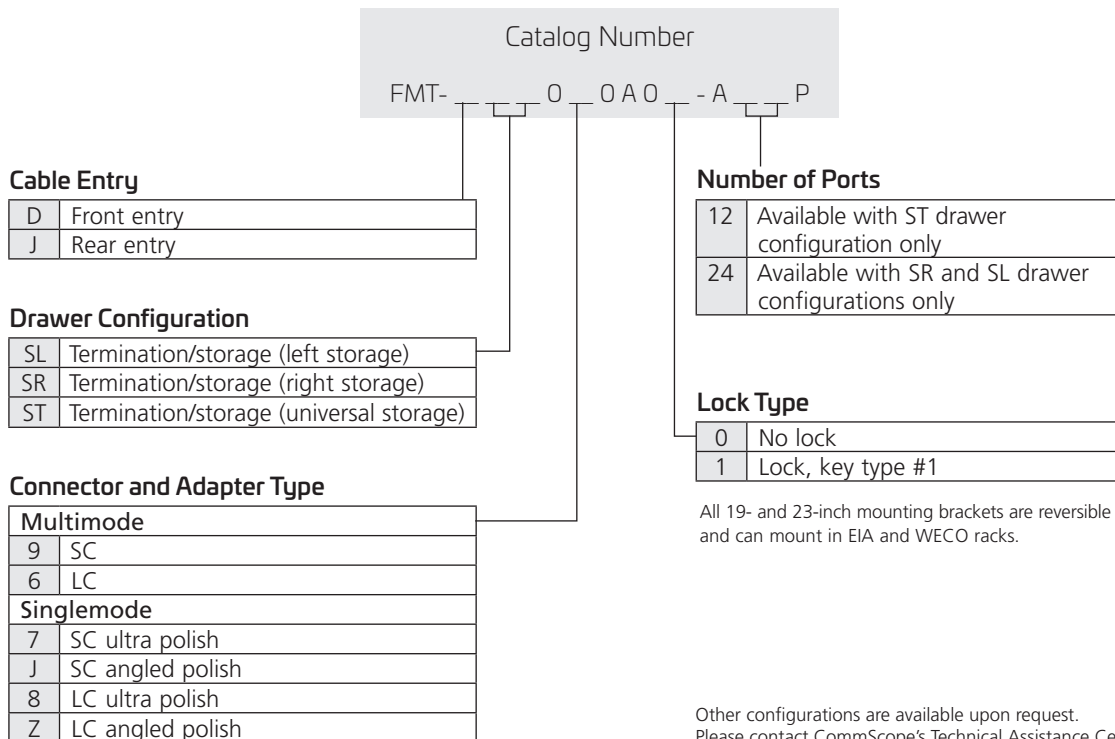
1 RU 12-Termination/Storage Drawer
(Universal Storage)



1 RU 24-Termination/Storage Drawer
(Right Storage)



1 RU 24-Termination/Storage Drawer
(Left Storage)

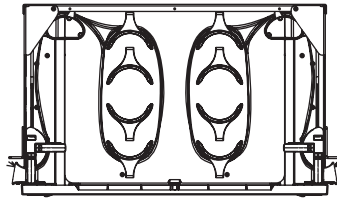


1 RU Slack Storage Drawers

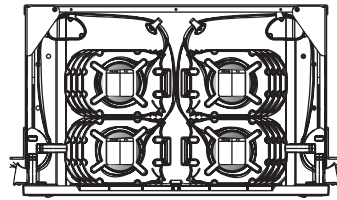
Features

- Offers bulk storage for up to 60 fibers and discrete slack storage for up to 16 fibers
- All-front-access drawer mounts in 19- or 23-inch racks
- Sliding radius limiters provide cable management for incoming and outgoing fibers

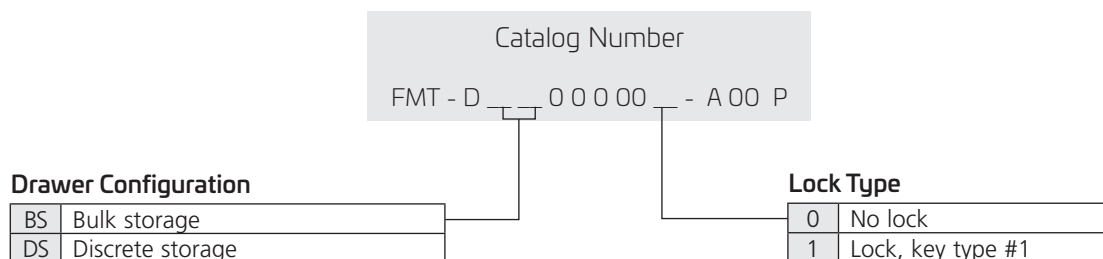
Bulk Storage Drawer



Discrete Storage Drawer



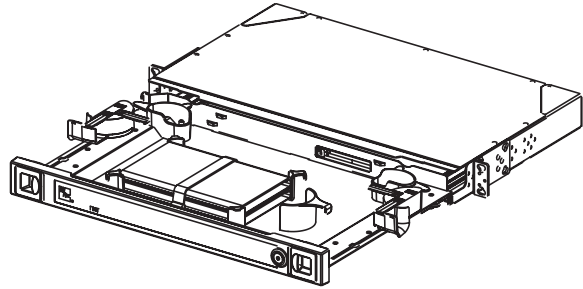
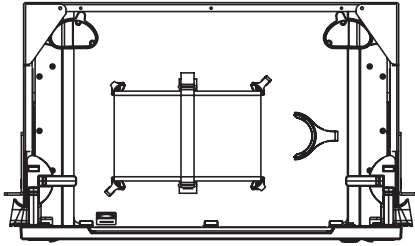
Slack storage type	Catalog Number		
	3.0 mm cable	2.0 mm cable	1.7 mm cable
Bulk	32 cables, 2.5 m each	48 cables, 2.5 m each	60 cables, 4 m each
Discrete	16 cables, 1.7 m each	16 cables, 2 m each	16 cables, 2.5 m each



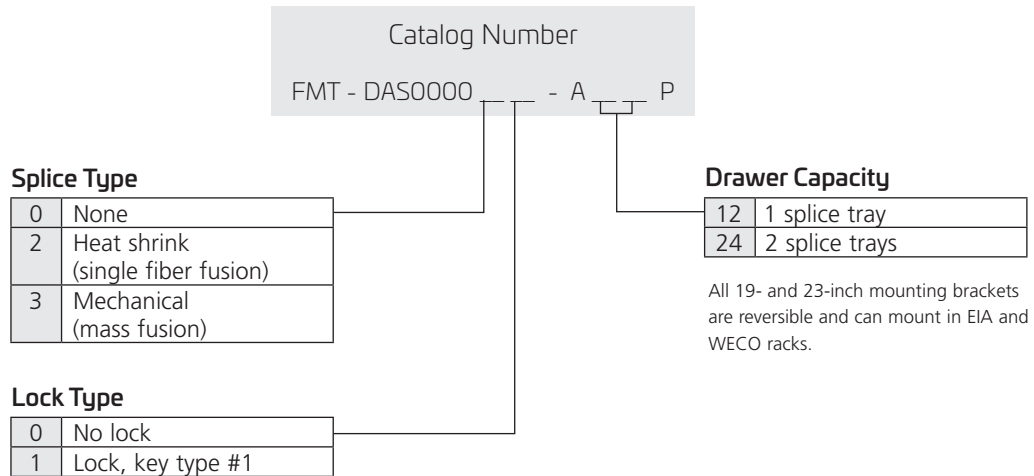
Other configurations are available upon request.
Please contact CommScope's Technical Assistance Center.

All 19- and 23-inch mounting brackets are reversible and can mount in EIA and WECCO racks.

1 RU Splice Drawers



1 RU Splice-Only Drawer



Other configurations are available upon request. Please contact CommScope's Technical Assistance Center.

2 RU Value-Added Module (VAM) MicroVAM Chassis

The FMT MicroVAM chassis accommodates MicroVAM modules. The MicroVAM module is CommScope's highest density and most versatile VAM module.



2 RU FMT with Single MicroVAMs



Single MicroVAMs Shown in Access Position



1 RU FMT with Single MicroVAMs

Ordering Information

Description	Dimensions (HxWxD)	Catalog Number
2 RU FMT MicroVAM chassis, unloaded; accommodates up to 12 single MicroVAMs for monitoring optical signals	89 mm x 483 mm/584 mm x 244 mm (3.5" x 19"/23" x 9.6")	FMT-GVM000000-A72P
1 RU FMT MicroVAM chassis, unloaded; accommodates up to 4 single MicroVAMs for monitoring optical signals	44 mm x 483 mm/584 mm x 244 mm (1.75" x 19"/23" x 9.6")	FMT-DVS000000-E00B

Value-Added Module (VAM) System

CommScope's offers an expansive line of monitor, splitter, WDM and CWDM VAM plug-in modules designed to meet all application needs. Details at www.commscope.com or contact CommScope Customer Service.

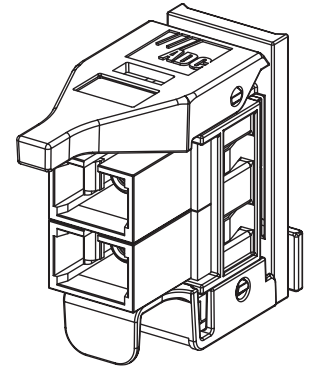
1 RU Drawer Accessories

Sliding Adapter Pack

Sliding adapter packs house groups of fiber optic adapters and are mounted in fiber termination panels to provide easy access to connectors. Sliding adapter packs are available with SC and LC adapters. A 2-position sliding adapter pack for a 1 RU FMT is shown to the right.

Ordering Information

Description	Catalog Number
Multimode SC LC	FMT-2SAP09 FMT-2SAP06
Singlemode SC ultra polish SC angled polish LC ultra polish LC angled polish	FMT-2SAP07 FMT-2SAP0J FMT-2SAP08 FMT-2SAP0Z



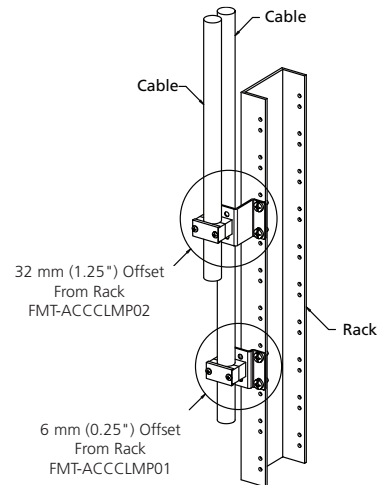
Sliding Adapter Pack

Mini Splice Tray

For use with splicing configurations in the 1 RU FMT.

Ordering Information

Description	Catalog Number
Bare fusion	FL1-M-FT
Heat shrink (single fiber fusion)	FL1-M-HS
Mechanical (mass fusion)	FL1-M-MT



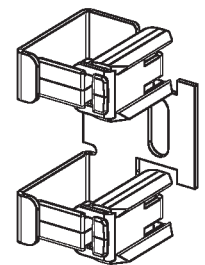
Cable Clamp Kit

Wall Mount Kit, Cable Clamp Kit and Vertical Cable Guide

The cable clamp kit provides a means of securing cable entering the drawer. The wall mount kit is required for wall mount applications. Vertical cable guide safely routes fiber cable on the frame.

Ordering Information

Description	Catalog Number
Wall mount kit	FMT-ACCWLMT01
Cable clamp kits 6 mm (0.25") offset from frame 32 mm (1.25") offset from frame	FMT-ACCCLMP01 FMT-ACCCLMP02
Vertical cable guide (VCG)	FMT-ACCVC01P



Vertical Cable Guide

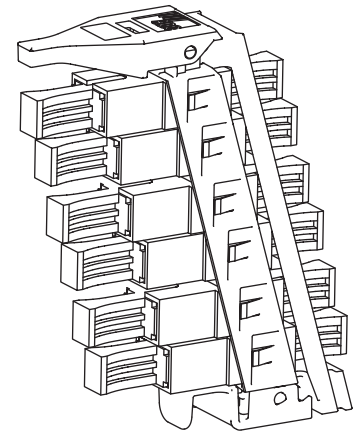
2 RU Drawer Accessories

Sliding Adapter Pack

Sliding adapter packs house groups of fiber optic adapters and are mounted in fiber termination panels to provide easy access to connectors. Sliding adapter packs are available with SC and LC adapters. Adapters are preinstalled in the sliding adapter pack as shown to the right.

Ordering Information

Description	Catalog Number
Multimode	
SC	FMT-6SAP09
LC 6 pack	FMT-6SAP06
LC 8 pack	FMT-8SAP06
Singlemode	
SC ultra polish	FMT-6SAP07
SC angled polish	FMT-6SAP0J
LC ultra polish 6 pack	FMT-6SAP08
LC angled polish 6 pack	FMT-6SAP0Z
LC ultra polish 8 pack	FMT-8SAP08
LC angled polish 8 pack	FMT-8SAP0Z



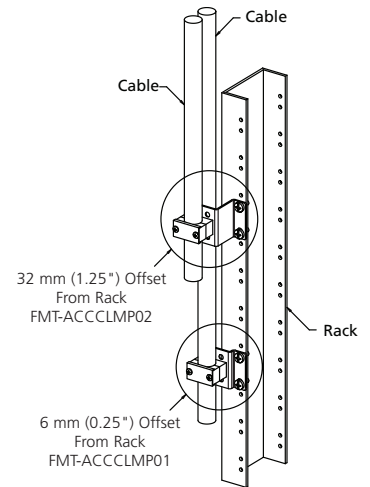
Sliding Adapter Pack

Mini Splice Tray

For use with splicing configurations in the 2 RU FMT.

Ordering Information

Description	Catalog Number
Bare fusion	FST-M-FT
Heat shrink (single fiber fusion)	FST-M-HS
Mechanical (mass fusion)	FST-M-MT



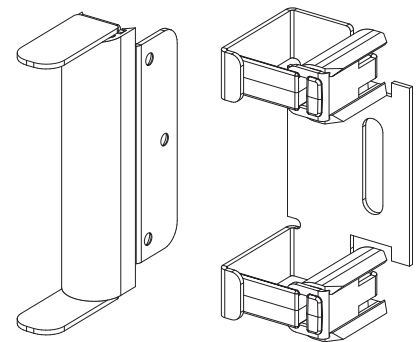
Cable Clamp Kit

Cable Clamp Kit and Vertical Cable Guide

The cable clamp kit provides a means of securing cable entering the drawer. Vertical cable guide safely routes fiber cable on the frame.

Ordering Information

Description	Catalog Number
Cable clamp kits	
6 mm (0.25 inch) offset from frame	FMT-ACCCLMP01
32 mm (1.25 inch) offset frame	FMT-ACCCLMP02
Vertical cable guide (VCG)	FMT-ACC21P



Vertical Cable Guide

CommScope pushes the boundaries of communications technology with game-changing ideas and ground-breaking discoveries that spark profound human achievement. We collaborate with our customers and partners to design, create and build the world's most advanced networks. It is our passion and commitment to identify the next opportunity and realize a better tomorrow. Discover more at commscope.com

COMMSCOPE®

commscope.com

Visit our website or contact your local CommScope representative for more information.

© 2020 CommScope, Inc. All rights reserved.

Unless otherwise noted, all trademarks identified by ® or ™ are registered trademarks, respectively, of CommScope, Inc. This document is for planning purposes only and is not intended to modify or supplement any specifications or warranties relating to CommScope products or services. CommScope is committed to the highest standards of business integrity and environmental sustainability with a number of CommScope's facilities across the globe certified in accordance with international standards, including ISO 9001, TL 9000, and ISO 14001. Further information regarding CommScope's commitment can be found at www.commscope.com/corporate-responsibility-and-sustainability

BR-114422-EN (03/20)