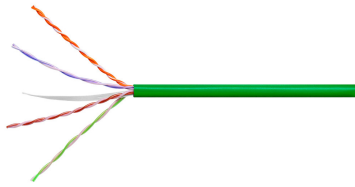


UN874037484/30 | CS34P GRN C6 4/23 U/UTP RL 3KFT



CS34P ETL Verified Category 6 U/UTP Cable, plenum, green jacket, 4 pair count, 3000 ft (914 m) length, reel

Product Classification

Regional Availability	North America
Portfolio	Uniprise®
Product Type	Twisted pair cable

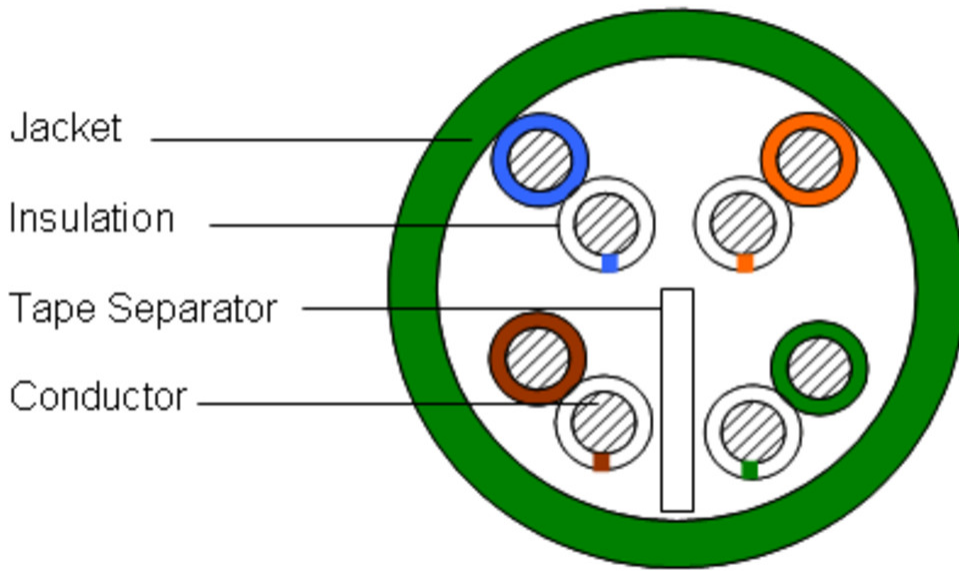
General Specifications

Product Number	CS34P
ANSI/TIA Category	6
Cable Component Type	Horizontal
Cable Type	U/UTP (unshielded)
Conductor Type, singles	Solid
Conductors, quantity	8
Jacket Color	Green
Note	All electrical transmission tests include swept frequency measurements
Pairs, quantity	4
Separator Type	Tape separator
Transmission Standards	ANSI/TIA-568.2-D CENELEC EN 50288-6-1 ISO/IEC 11801 Class E

Dimensions

Cable Length	914.4 m 3000 ft
Diameter Over Insulated Conductor	0.978 mm 0.038 in
Diameter Over Jacket, nominal	5.461 mm 0.215 in
Jacket Thickness	0.533 mm 0.021 in
Conductor Gauge, singles	23 AWG

Cross Section Drawing



Electrical Specifications

Characteristic Impedance	100 ohm
dc Resistance Unbalance, maximum	5 %
dc Resistance, maximum	8 ohms/100 m 2.438 ohms/100 ft
Delay Skew, maximum	45 ns
Dielectric Strength, minimum	1500 Vac 2500 Vdc
Mutual Capacitance at Frequency	5.6 nF/100 m @ 1 kHz
Nominal Velocity of Propagation (NVP)	75 %
Operating Frequency, maximum	250 MHz
Operating Voltage, maximum	80 V
Remote Powering	Fully complies with the recommendations set forth by IEEE 802.3bt (Type 4) for the safe delivery of power over LAN cable when installed according to ISO/IEC 14763-2, CENELEC EN 50174-1, CENELEC EN 50174-2 or TIA TSB-184-A
Safety Voltage Rating	300 V

Electrical Cable Performance

CS	CommScope	NEXT	Near End Crosstalk (dB/100m)
STD	Refers to the standard value listed under Transmission Standards in the Electrical Specifications above	PSNEXT	Power Sum Near End Crosstalk (db/100m)
TYP	Typical Electrical Performance	ACRF	Attenuation to Crosstalk Ratio - Far End (dB/100m)
IL	Insertion Loss (dB/100m)	RL	Return Loss (dB)
ACR	Attenuation to Crosstalk Ratio (dB/100m)	ELTCTL	Equal Level Transverse Conversion Transfer Loss (dB/100m)
PSACR	Power Sum Attenuation to Crosstalk Ratio (dB/100m)		
PSACRF	Power Sum Attenuation to Crosstalk Ratio - Far End (dB/100m)		
TCL	Transverse Conversion Loss (dB/100m)		

Freq. MHz	IL			NEXT			ACR			PSNEXT			PSACR			ACRF			PSACRF			RL		
	CS	STD	TYP	CS	STD	TYP	CS	STD	TYP	CS	STD	TYP	CS	STD	TYP	CS	STD	TYP	CS	STD	TYP	CS	STD	TYP
1	2	2	1.8	75.3	74.3	89.3	73.3	72.3	87.6	72.3	72.3	87	70.3	70.3	85.3	68	67.8	84.3	65	64.8	82.4	20	20	34
4	3.8	3.8	3.5	66.3	65.3	80	62.5	61.5	76.5	63.3	63.3	77.7	59.5	59.5	74.1	56	55.8	72.6	53	52.8	70.8	23	23	33.9
8	5.3	5.3	5	61.8	60.8	75.5	56.4	55.4	70.5	58.8	58.8	73.2	53.4	53.4	68.2	49.9	49.7	66.8	46.9	46.7	64.9	24.5	24.5	35.5
10	6	6	5.6	60.3	59.3	73.9	54.3	53.3	68.3	57.3	57.3	71.5	51.3	51.3	65.9	48	47.8	64.9	45	44.8	63	25	25	36.5
16	7.6	7.6	7.2	57.2	56.2	70.6	49.7	48.7	63.4	54.2	54.2	68.3	46.7	46.7	61.1	43.9	43.7	60.8	40.9	40.7	58.9	25	25	37.6
20	8.5	8.5	8.1	55.8	54.8	69.2	47.3	46.3	61.2	52.8	52.8	66.9	44.3	44.3	58.8	42	41.8	58.9	39	38.8	56.9	25	25	38.2
25	9.5	9.5	9	54.3	53.3	67.6	44.8	43.8	58.6	51.3	51.3	65.3	41.8	41.8	56.2	40	39.8	57	37	36.8	55	24.3	24.3	38.2
31.25	10.7	10.7	10.1	52.9	51.9	66.3	42.2	41.2	56.1	49.9	49.9	63.9	39.2	39.2	53.8	38.1	37.9	55	35.1	34.9	53	23.6	23.6	38.3
62.5	15.4	15.4	14.5	48.4	47.4	61.4	33	32	46.9	45.4	45.4	59	30	30	44.5	32.1	31.9	48.9	29.1	28.9	46.9	21.5	21.5	34.7
100	19.8	19.8	18.6	45.3	44.3	58.1	25.5	24.5	39.5	42.3	42.3	55.7	22.5	22.5	37.1	28	27.8	44.7	25	24.8	42.8	20.1	20.1	31.6
155	25.2	25.2	23.5	42.4	41.4	55.7	17.3	16.3	32.2	39.4	39.4	53	14.3	14.3	29.5	24.2	24	41	21.2	21	39	18.8	18.8	29.6
200	29	29	26.9	40.8	39.8	52.6	11.8	10.8	25.7	37.8	37.8	50.4	8.8	8.8	23.4	22	21.8	38.6	19	18.8	36.7	18	18	29.3
250	32.8	32.8	30.3	39.3	38.3	50.8	6.5	5.5	20.5	36.3	36.3	48.6	3.5	3.5	18.3	20	19.8	36.5	17	16.8	34.7	17.3	17.3	28.8
300			33.5			49			15.6			46.8			13.4			34.5			32.6			28.9
350			36.4			47.6			11.2			45.4			9			33			31			29
400			39			46.3			7.3			44.1			5.1			31.3			29.3			30.3
500			44.3			43.2			-1.1			41.2			-3.1			27.3			25.5			31
550			44.6			43.1			-0.5			41.2			-2.5			27.4			25.5			31
650			51.3			40.2			-11.1			38.4			-12.9			22.3			20.4			25

Material Specifications

Conductor Material	Bare copper
Insulation Material	FEP Polyolefin
Jacket Material	PVC
Separator Material	FEP

Mechanical Specifications

Pulling Tension, maximum	11.34 kg 25 lb
---------------------------------	------------------

Environmental Specifications

UN874037484/30 | CS34P GRN C6 4/23 U/UTP RL 3KFT

Installation temperature	0 °C to +60 °C (+32 °F to +140 °F)
Operating Temperature	-20 °C to +60 °C (-4 °F to +140 °F)
Environmental Space	Plenum
Flame Test Method	CMP/FT6 NEC Article 800 NFPA 262 UL 444 UL 910
Smoke Test Method	CMP/FT6

Packaging and Weights

Cable weight	38.395 kg/km 25.8 lb/kft
Packaging Type	Reel

Regulatory Compliance/Certifications

Agency	Classification
ISO 9001:2015	Designed, manufactured and/or distributed under this quality management system

