

VALUE ADDED SPLITTER MODULE CATALOG NUMBER SCHEME

REV.	MCO	DWN	DATE
S	20311406	JUM	24-AUG10
T	8000018222	JUM	15-DEC-16

VSM -

CODE	INPUT, OUTPUT POSITION & STYLE
2	INPUT FRONT OUTPUT FRONT
3	INPUT FRONT OUTPUT REAR
4	INPUT REAR OUTPUT REAR
5	INPUT REAR OUTPUT FRONT

MODULE CONFIGURATION 9

CODE	INPUT CONN STYLE
00	STUB END (BARE FIBER)
2U	SMFC ULTRA POLISH W/ ZIRCONIA SLEEVE
2A	SMAFC ANGLED POLISH W/ ZIRCONIA SLEEVE
2N	MMFC 50/125
2M	MMFC 62.5/125
4U	SMST ULTRA POLISH W/ ZIRCONIA SLEEVE
5F	MMST 50/125
5U	MMST 62.5/125
7U	SMSC ULTRA POLISH W/ ZIRCONIA SLEEVE
7A	SMASC ANGLED POLISH
9A	MMSC 50/125
9B	MMSC 62.5/125
KU	SMLC ULTRA POLISH
KM	MMLC 62.5/125
KA	LC ANGLE POLISH

INPUT CONNECTOR
STYLE

CODE	OUTPUT CONN STYLE
00	STUB END (BARE FIBER)
2U	SMFC ULTRA POLISH W/ ZIRCONIA SLEEVE
2A	SMAFC ANGLED POLISH W/ ZIRCONIA SLEEVE
2N	MMFC 50/125
2M	MMFC 62.5/125
4U	SMST ULTRA POLISH W/ ZIRCONIA SLEEVE
5F	MMST 50/125
5U	MMST 62.5/125
7U	SMSC ULTRA POLISH W/ ZIRCONIA SLEEVE
7A	SMASC ANGLED POLISH
9A	MMSC 50/125
9B	MMSC 62.5/125
KU	SMLC ULTRA POLISH
KM	MMLC 62.5/125
KA	LC ANGLE POLISH

OUTPUT CONNECTOR
STYLE

SPLIT RATIO 7	
2---	1X2, 2X2
3---	1X3
N---	1X3 & 1X2
4---	1X4, 2X4
P---	1X4 & 1X2
5---	1X5
6---	1X6
7---	1X7
8---	1X8, 2X8
9---	1X9
A---	1X10
B---	1X11
C---	1X12, 2X12
D---	1X13
E---	1X14, 2X14
F---	1X15
G---	1X16, 2X16
R---	1X17
H---	1X18
J---	1X24
K---	2X28
L---	1X31
M---	1X32

SPLITTER VARIATIONS	
A	STANDARD SPLITTE
B	DUAL SPLITTER
C	TRIPLE SPLITTER
D	QUAD SPLITTER

XX INPUT FIBER
LENGTH (METERS)

YY OUTPUT FIBER
LENGTH (METERS)

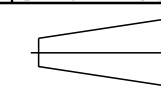
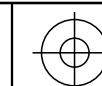
NOTES:

- UNLESS SPECIFIED BAND PASS IS:

1260nm	1430nm
1360nm	1580nm
- IF CLEANING IS REQUIRED, SEE INSTALLATION INSTRUCTIONS.
- FASTENER NEAREST THE ADC LOGO IS TO BE MOUNTED TOWARD THE CENTER OF THE HORIZONTAL MOUNT CHASSIS AND TOWARD THE TOP OF THE VERTICAL MOUNT CHASSIS.
- MODULE SHOWN UNLOCKED. INSERT MODULE INTO CHASSIS AND TURN FASTENERS 90° TO LOCK.
- ATTACH SUPPLIED LABELS TO APPROPRIATE MODULE POSITIONS ON CHASSIS DESIGNATION CARDS.
- UNLESS OTHERWISE SPECIFIED REFLECTANCE VALUES FOR ALL INPUT (A) PORTS ARE <-50dB. ALL UNUSED PORTS MUST BE TERMINATED FOR MEASUREMENTS TO BE VALID.
- SEE WEBSITE <http://Stele.adc.com/Products/vam/splitter/index.html> FOR COMPLETE LIST OF AVAILABLE SPLIT CODES. (WEBSITE ADDRESS IS CASE SENSITIVE.)
- INSERTION LOSS IN dB MAX, EXCLUDING CONNECTOR LOSS. TYPICAL CONNECTOR LOSS IS 0.2dB (0.5dB MAX).

© 2016 COMMSCOPE, INC. CONFIDENTIAL NOTICE: THESE DRAWINGS AND SPECIFICATIONS ARE THE PROPRIETARY PROPERTY OF COMMSCOPE, INC. AND MAY BE USED ONLY FOR THE SPECIFIC PURPOSE AUTHORIZED IN WRITING BY COMMSCOPE, INC.		TITLE VAM SPLITTER MODULE (INSTALLATION DRAWING)	
ALL DIMS AND TOLERANCES ARE INCHES UNLESS OTHERWISE SPECIFIED	.XX:±N/A .XXX:±N/A ANGULAR:±N/A	C SIZE	DRAWING NUMBER 1071050_ADC
DO NOT SCALE DRAWING		ENGR: DOUG HASSINGER DWN: KCCARLSON	T REV
		SHT. 1 OF 4	

COMMSCOPE, INC.



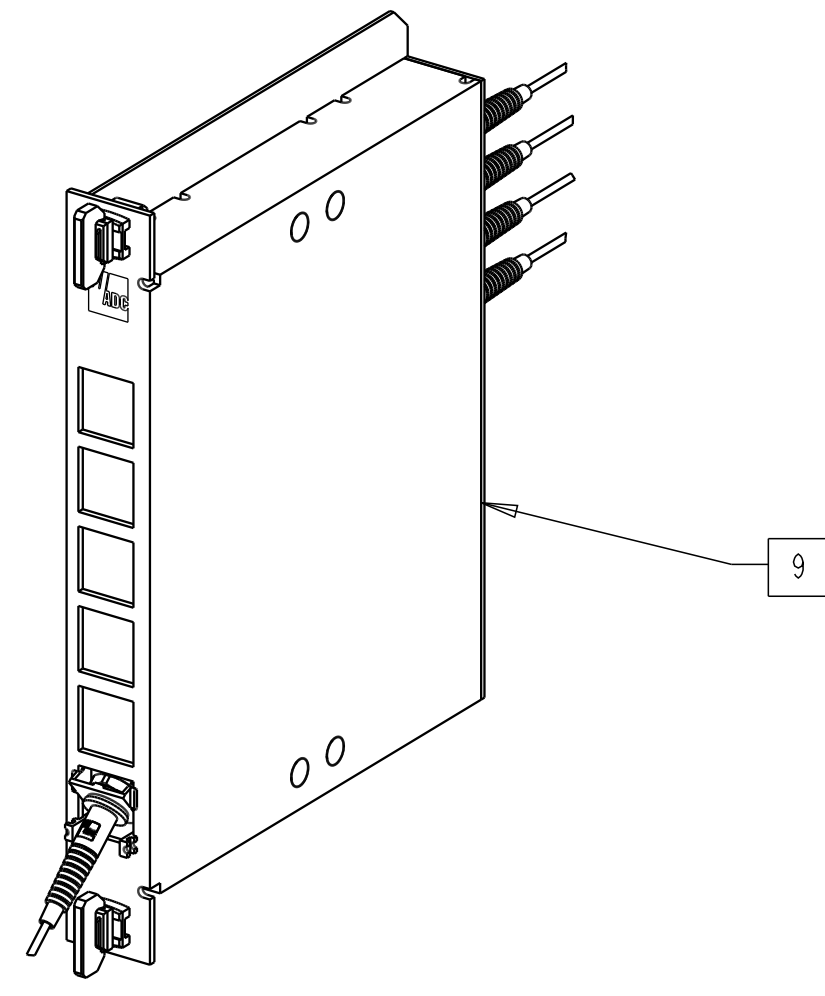
DIMENSIONS IN INCHES
THIRD ANGLE PROJECTION

A

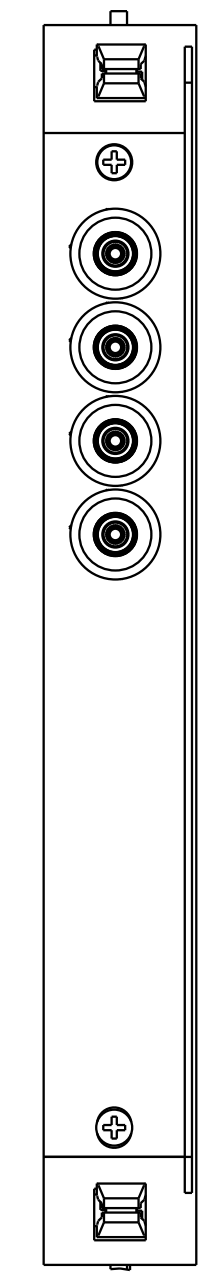
B

C

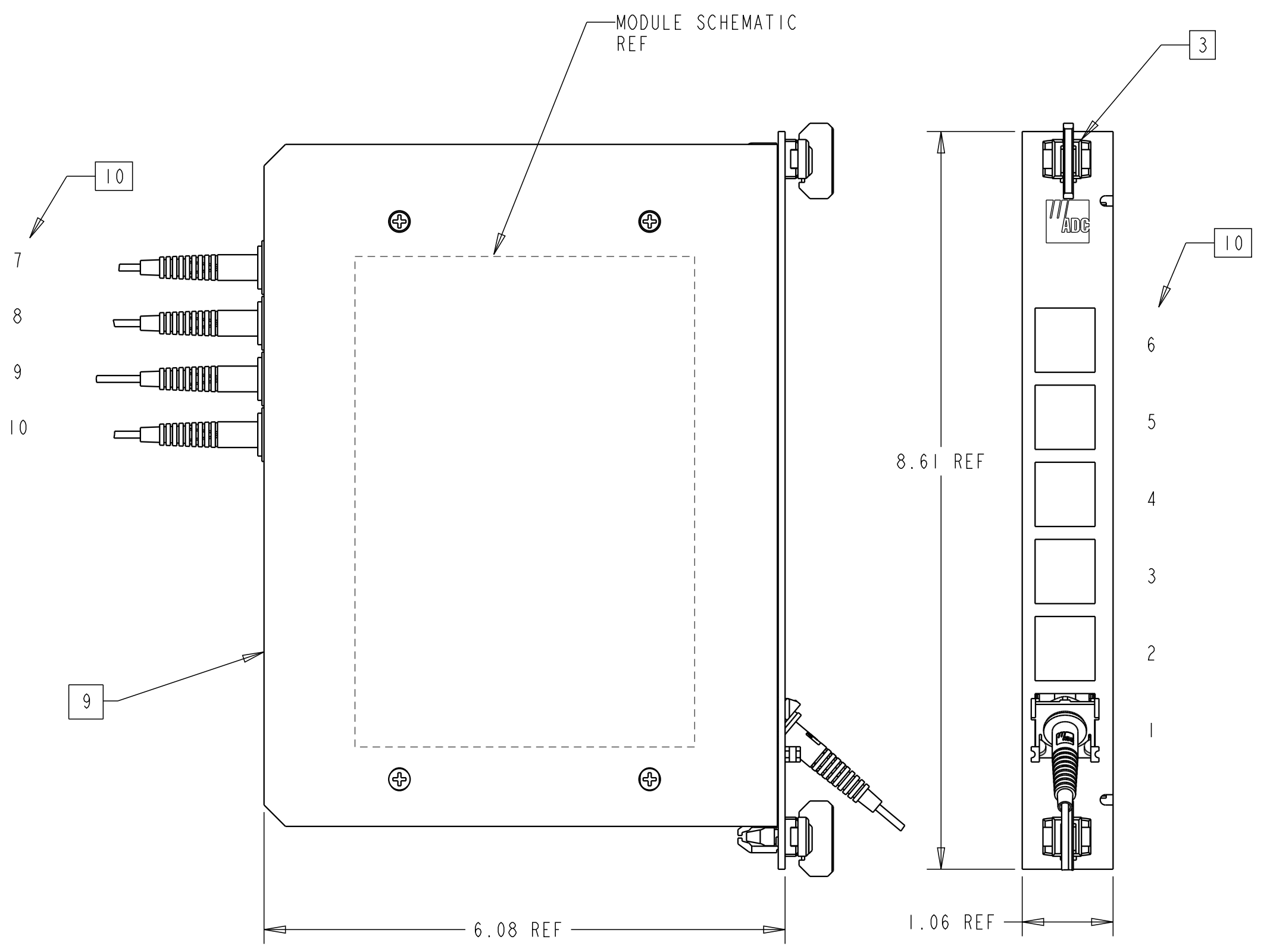
D



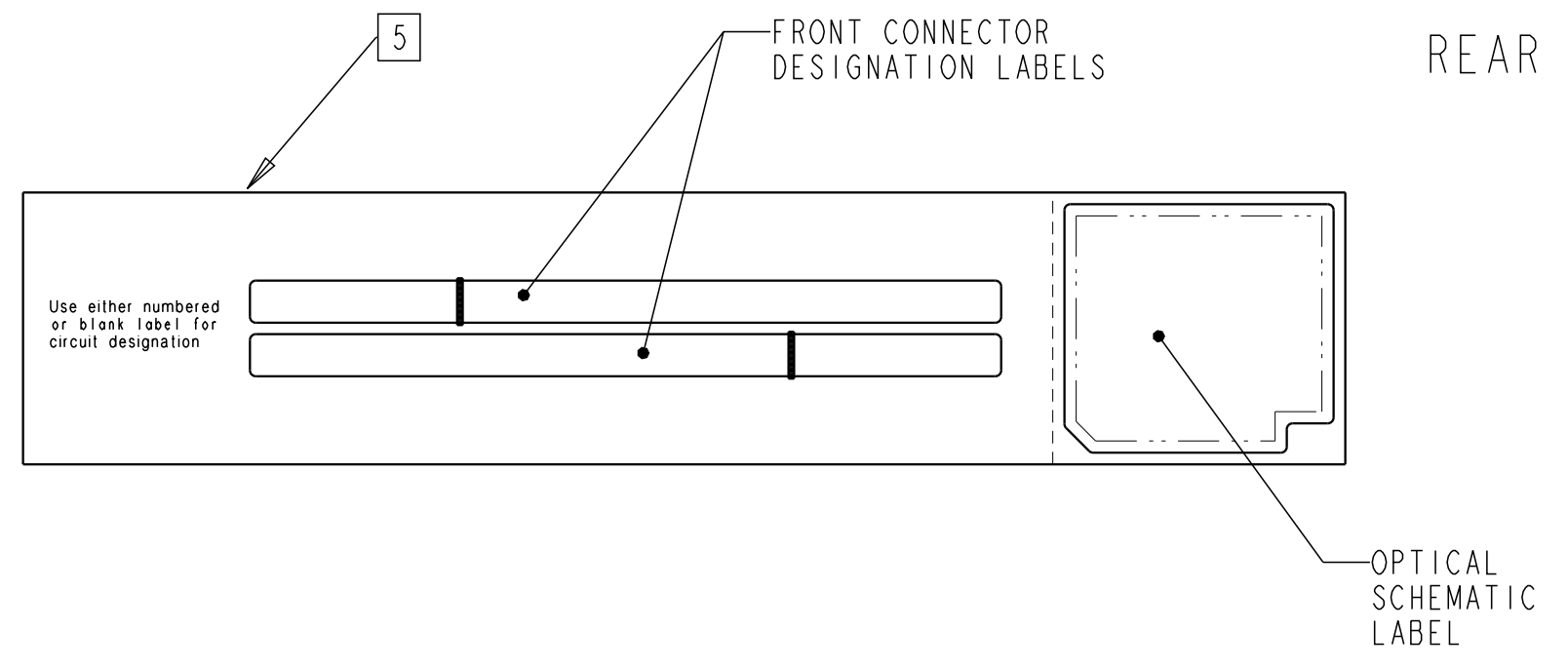
SCALE 0.500



REAR



FRONT



NOTES:

- [9] SINGLE HEIGHT MODULE WITH (1) FRONT INPUT AND (4) REAR OUTPUTS SHOWN FOR REFERENCE ONLY.
- [10] THESE NUMBERS CORRESPOND TO THE PORT DESIGNATION ON THE TEST RESULT SHEET.

COMMSCOPE, INC.

INFORMATION ON THIS DOCUMENT IS PROPRIETARY TO TE CONNECTIVITY AND SHALL NOT BE USED, COPIED, REPRODUCED OR DISCLOSED IN WHOLE OR IN PART WITHOUT WRITTEN CONSENT OF TE CONNECTIVITY.		TITLE VAM SPLITTER MODULE (INSTALLATION DRAWING)	
ALL DIMS AND TOLERANCES ARE INCHES UNLESS OTHERWISE SPECIFIED	.XX:±N/A .XXX:±N/A ANGULAR:±N/A	C SIZE	DRAWING NUMBER 1071050_ADC
DO NOT SCALE DRAWING		ENGR: DIUG HASSINGER DWN: KC CARLSON	T REV
		SHT. 2 OF 4	

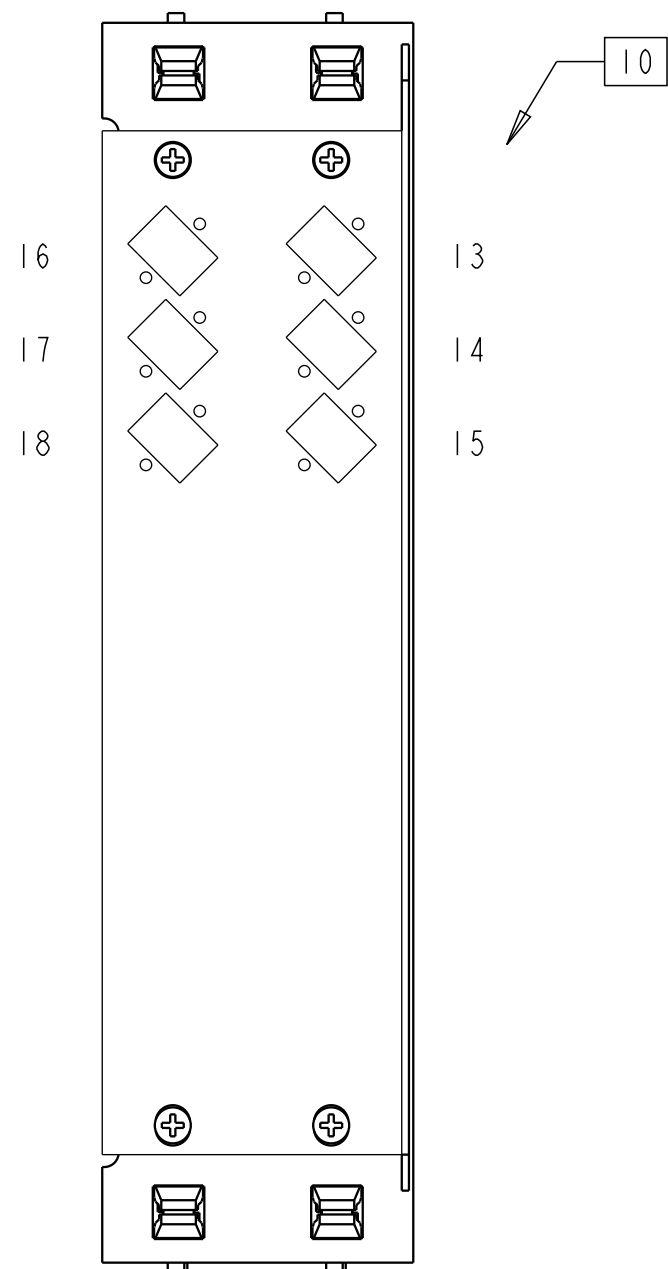
DIMENSIONS IN INCHES
THIRD ANGLE PROJECTION

A

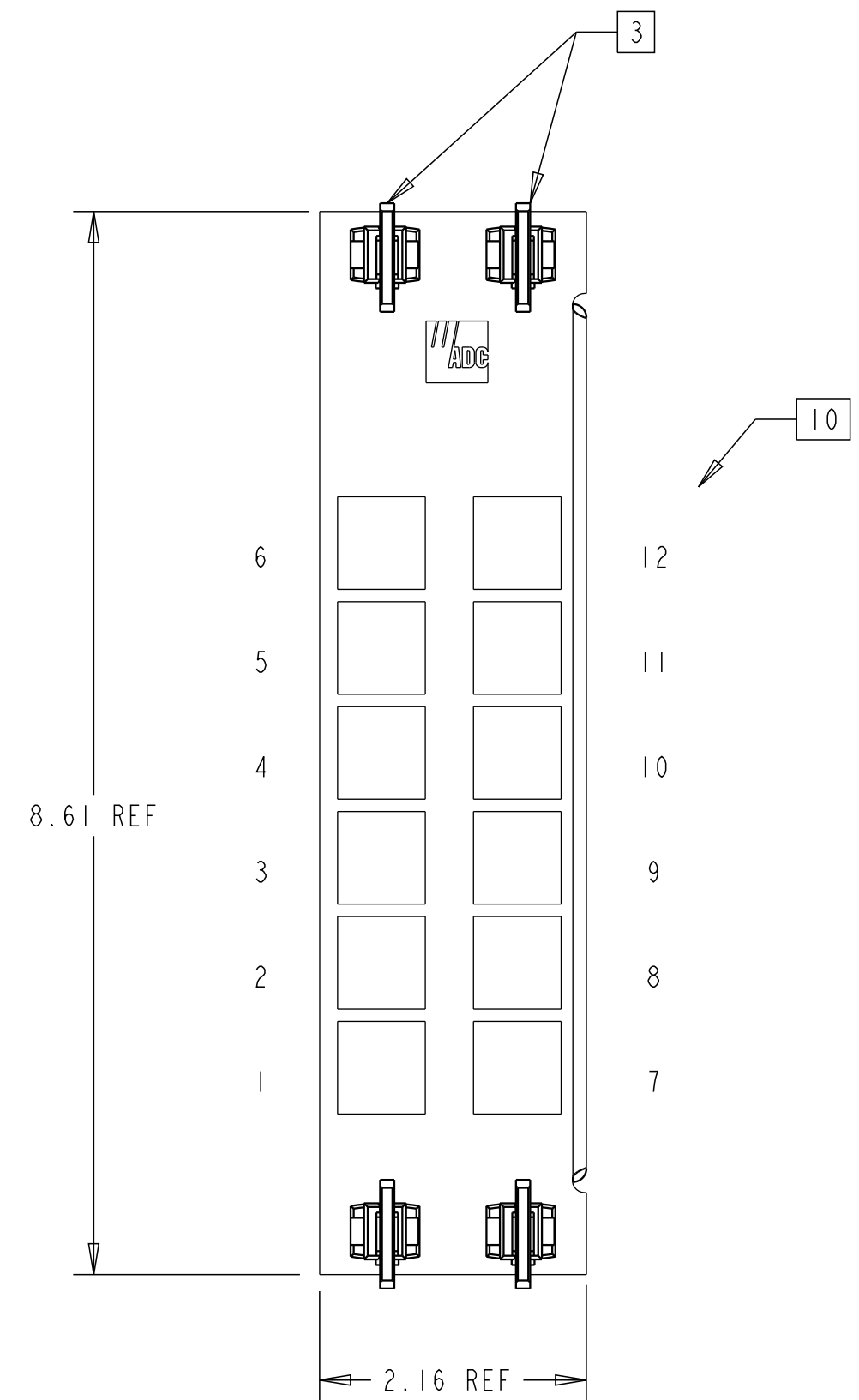
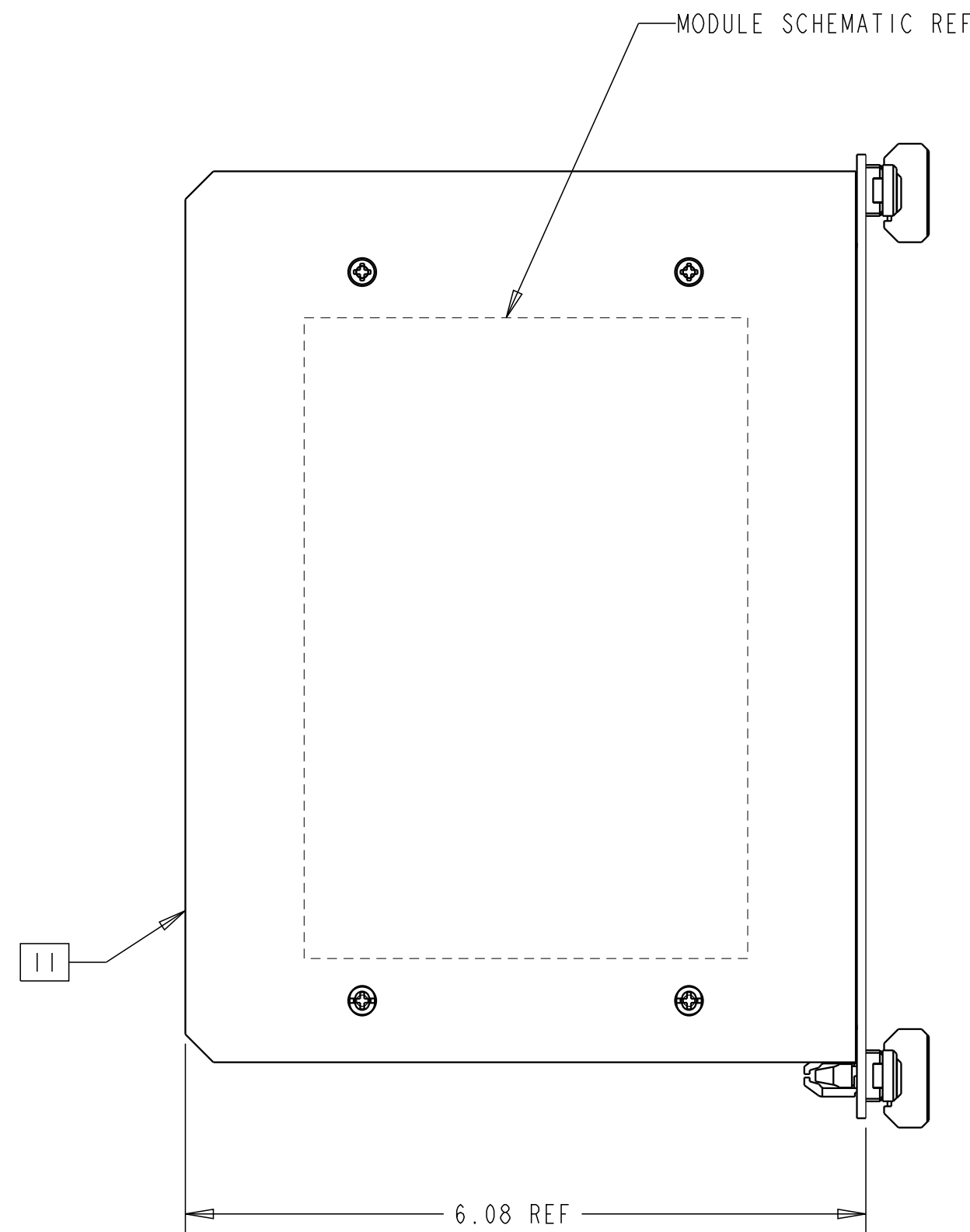
B

C

D



REAR



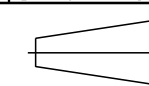
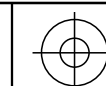
FRONT

NOTES:

11 DOUBLE HIGH MODULE WITH (12) FRONT PORTS AND (6) REAR PORTS SHOWN FOR REFERENCE ONLY.

COMMSCOPE, INC.

INFORMATION ON THIS DOCUMENT IS PROPRIETARY TO TE CONNECTIVITY AND SHALL NOT BE USED, COPIED, REPRODUCED OR DISCLOSED IN WHOLE OR IN PART WITHOUT WRITTEN CONSENT OF TE CONNECTIVITY.		TITLE N/A (INSTALLATION DRAWING)	
ALL DIMS AND TOLERANCES ARE INCHES UNLESS OTHERWISE SPECIFIED	.XX:±N/A .XXX:±N/A ANGULAR:±N/A	C SIZE	DRAWING NUMBER 1071050_ADC
DO NOT SCALE DRAWING	ENGR: DOUG HASSINGER DWN: KC CARLSON	SHT. 3 OF 4	



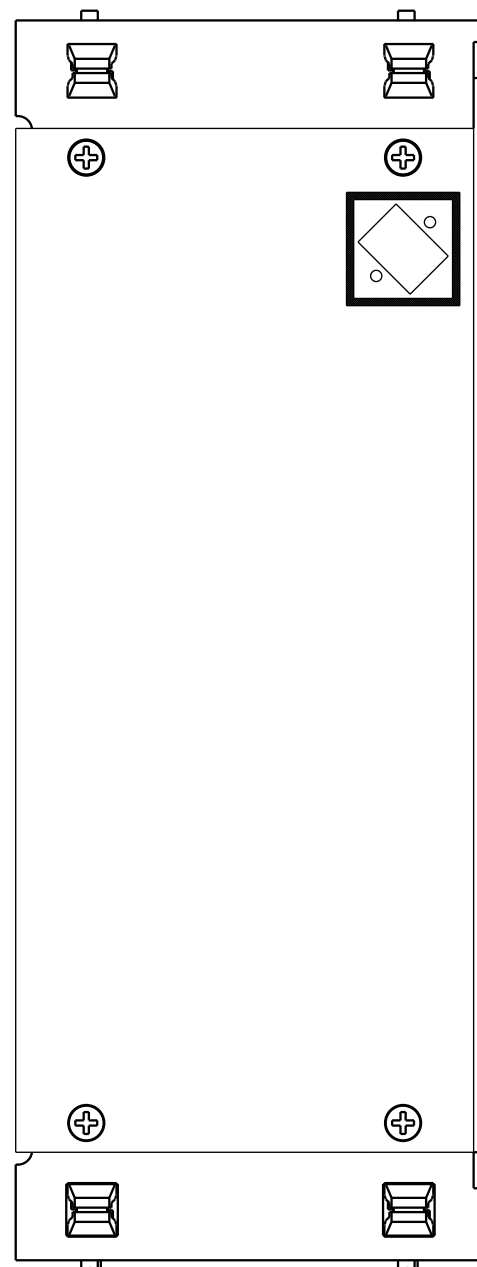
DIMENSIONS IN INCHES
THIRD ANGLE PROJECTION

A

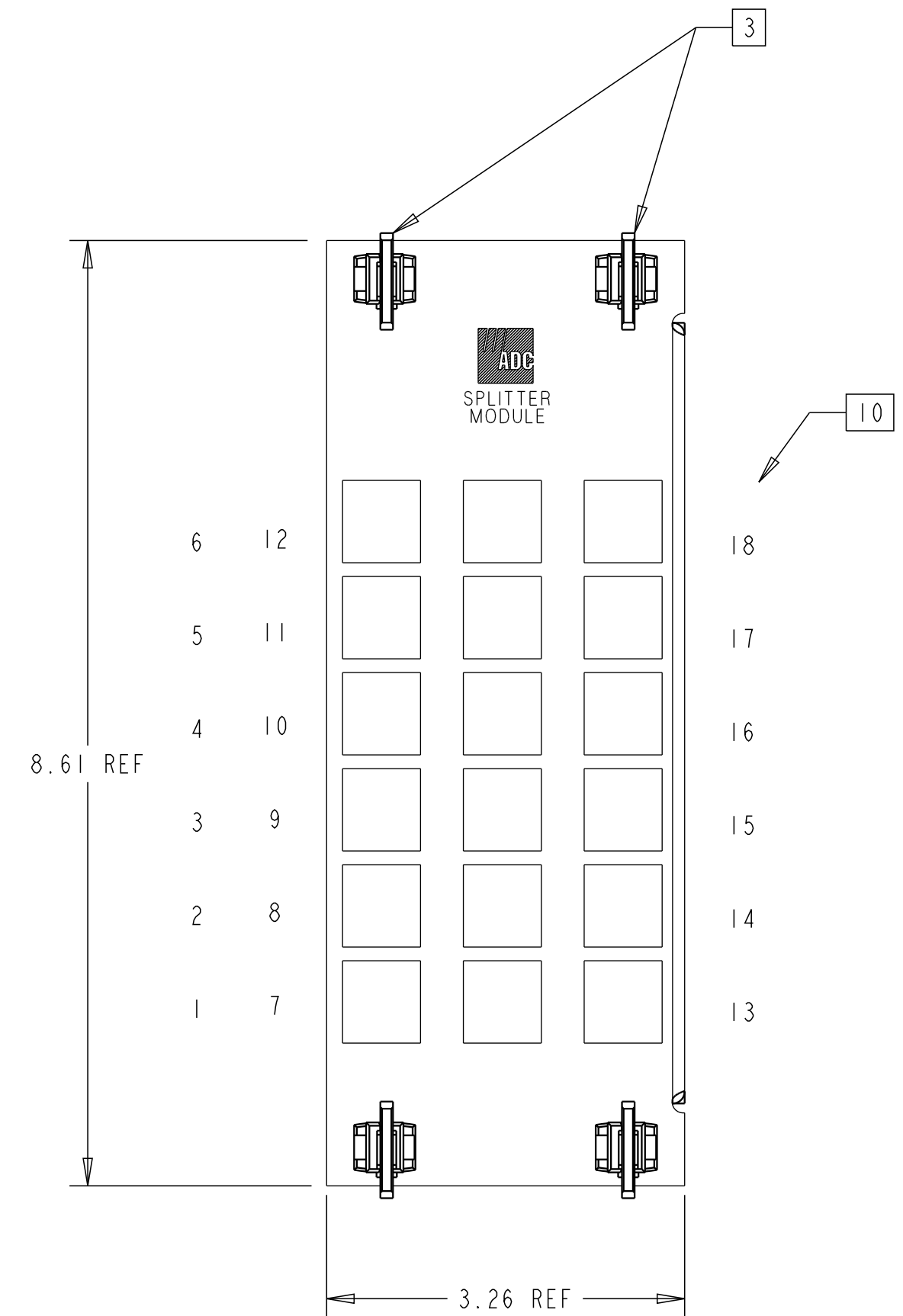
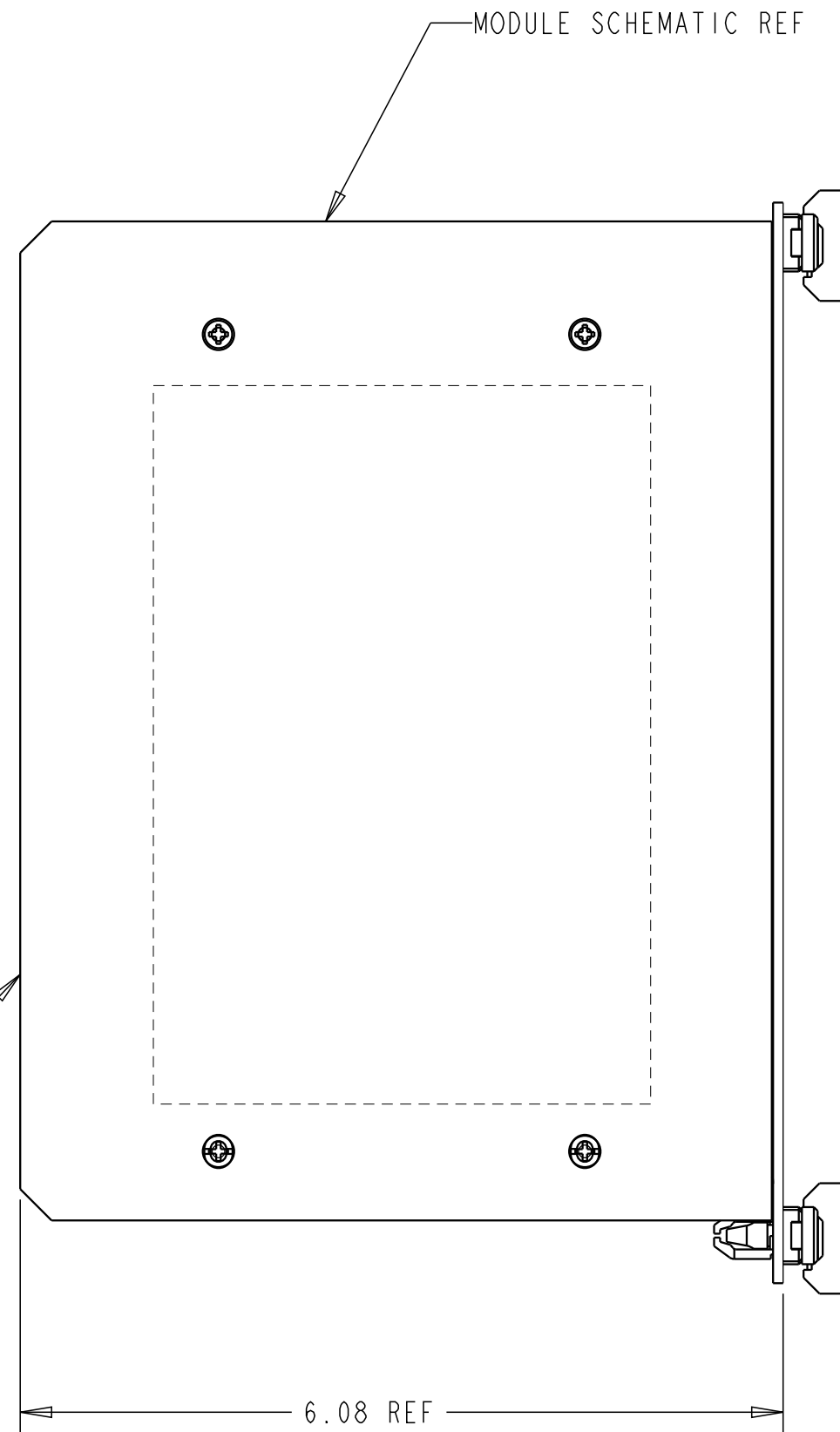
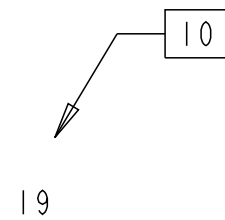
B

C

D



REAR

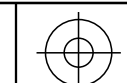


NOTES:

12 TRIPLE HIGH MODULE WITH (18) FRONT PORTS AND (1) REAR PORT SHOWN FOR REFERENCE ONLY.

INFORMATION ON THIS DOCUMENT IS PROPRIETARY TO TE CONNECTIVITY AND SHALL NOT BE USED, COPIED, REPRODUCED OR DISCLOSED IN WHOLE OR IN PART WITHOUT WRITTEN CONSENT OF TE CONNECTIVITY.		TITLE VAM SPLITTER MODULE (INSTALLATION DRAWING)	
ALL DIMS AND TOLERANCES ARE INCHES UNLESS OTHERWISE SPECIFIED	.XX:±N/A .XXX:±N/A ANGULAR:±N/A	C SIZE	DRAWING NUMBER 1071050_ADC
DO NOT SCALE DRAWING		ENGR: DOUG HASSINGER DWN: KC CARLSON	T REV SHT. 4 OF 4

COMMSCOPE, INC.



DIMENSIONS IN INCHES
THIRD ANGLE PROJECTION