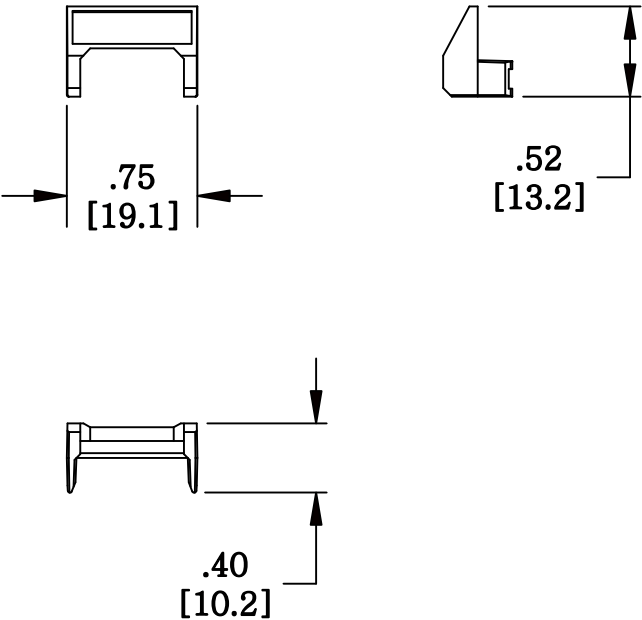


MATERIAL ID	DESCRIPTION
107296402	M60 TELEPHONE INFORMATION OUTLET ICON INSERT,ORANGE

NOTES:

1. SEE SYSTIMAX CATALOG FOR PART NUMBER SUFFIXES TO INDICATE COLOR/PKG.
2. SEE SYSTIMAX CATALOG FOR COMPLETE LIST OF PARTS RELATED TO THE USE OF THIS PRODUCT.
3. DIMENSIONS IN PARENTHESES ARE IN METRIC.
4. PART INCLUDES:
(1) OUTLET ICON INSERT,ORANGE



M60A-112
COMMSCOPE, INC OF NORTH CAROLINA
SYSTIMAX® SOLUTIONS

REV	DATE	ECR	DESCRIPTION	APPROVED BY	DATE	DWG NO
1	05/30/11		INITIAL ISSUE		05/30/2011	107296402