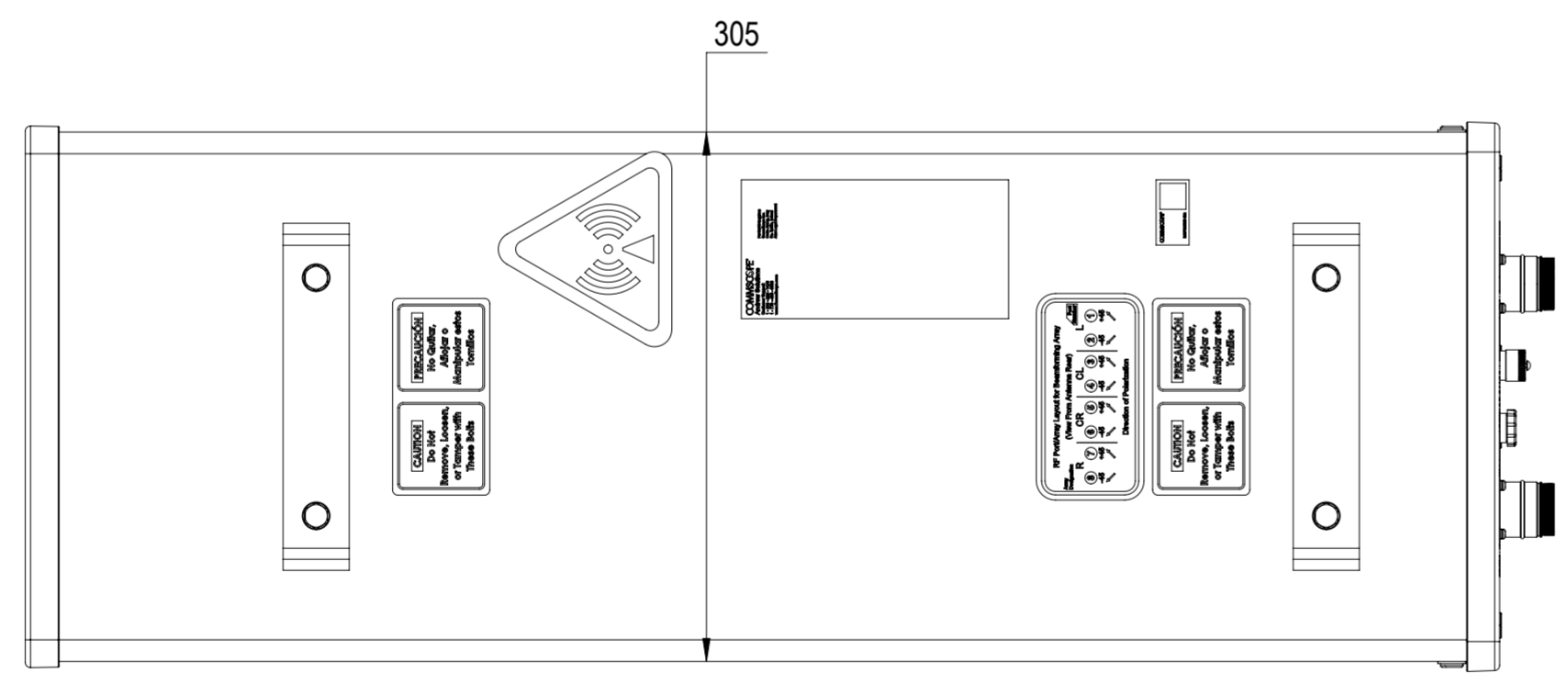
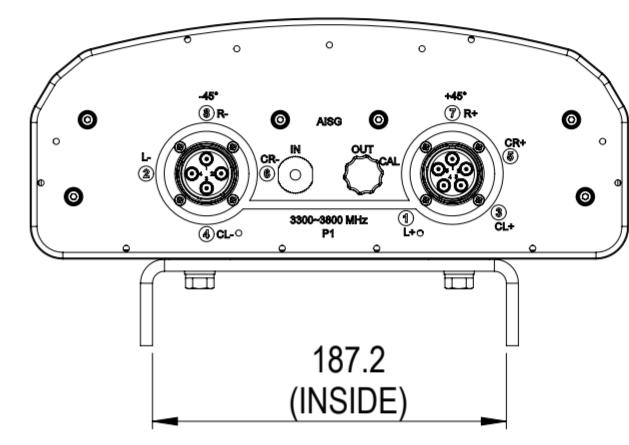
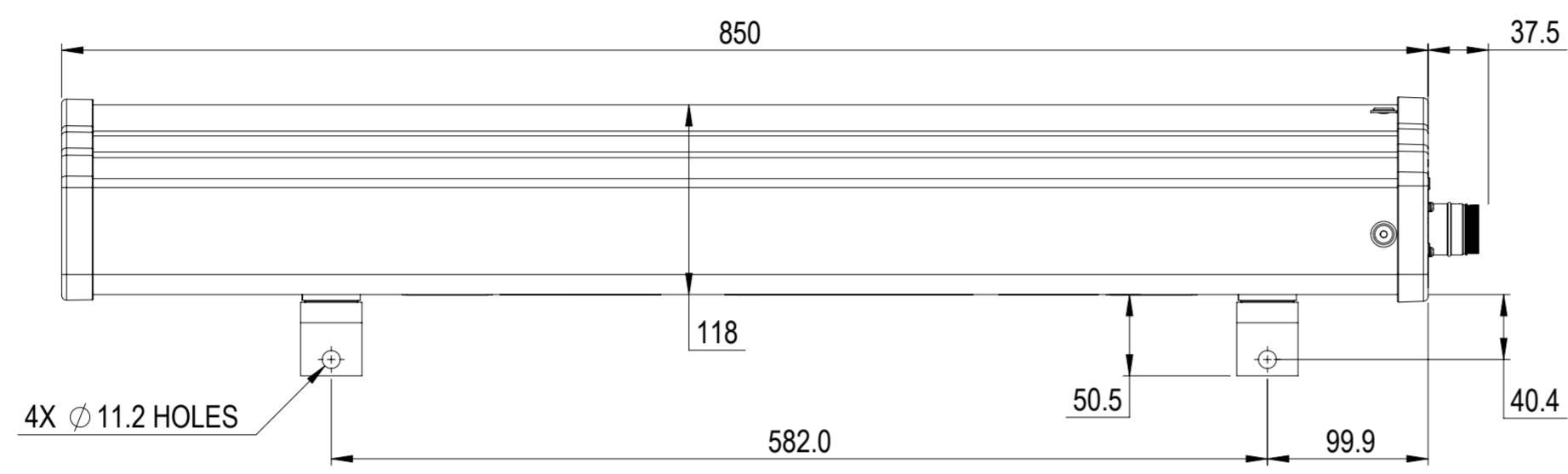


REVISIONS			
REV.	DESCRIPTION	DATE	APPROVED
A	ECR 8000036149: REL TO PRODUCTION PER EAO 607015.	06MAY20 DXJ	ZSG/DHH
B	ECR 8000040676: UPDATE DRAWING WITH LATEST MODEL.	13MAY20 CXY	ZSG/DHH



S4-90M-R1-V4

<b>COMMSCOPE, INC. OF NORTH CAROLINA</b>												
TOLERANCES						SAP MATERIAL MASTER						
0 PLACE X ±			2 PLACE .XX ±			1 PLACE .X ±			ANGLES ±			
FINISH						MATERIAL						
UNLESS OTHERWISE SPECIFIED DIMENSIONS ARE IN MILLIMETERS INTERPRET PER ISO STANDARDS HANDBOOK TECHNICAL DRAWINGS VOLUMES 1 & 2, THIRD EDITION (2002)	NAME		DATE		TITLE							
	CE	XD1008	12/04/2019		<b>PRODUCT DRAWING</b>							
	RW	XCHEN3	05/13/2020									
	RV	SZ1050	05/14/2020									
	AD	HD1021	05/14/2020									
	RE	XIAOWANG	05/14/2020									
ECN 8000040676-O					SCALE		DOCUMENT NO.					
					1:4		S4-90M-R1-V4-L					
HEIGHT		WORK AREA		23		MODEL			DRAWING			SHEET 1 OF 1
LENGTH		VERSION		01		STATUS		REVISION		REVISION		
WIDTH		A2		RE		B		01		RE B		

DENSITY	g/mm <sup>3</sup>
MASS	grams
VOLUME	mm <sup>3</sup>
SURFACE AREA	mm <sup>2</sup>