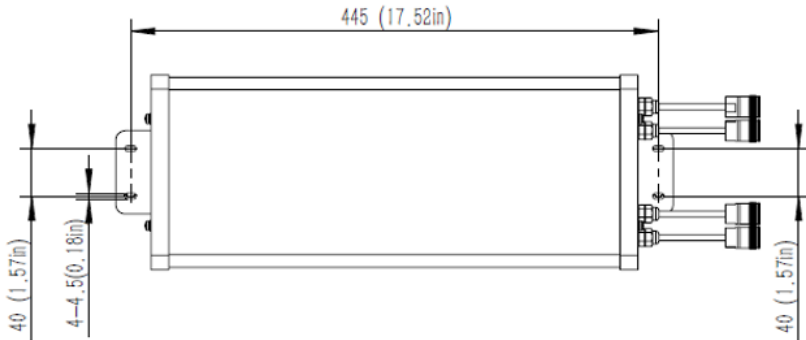
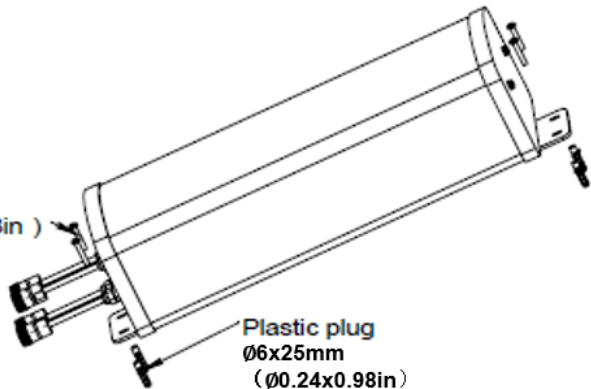


## INSTALLATION INSTRUCTION FOR CMAX-DMW60X1-43I53



**Tapping Screw**  
**ST4.2X25**  
( ST0.17X0.98in )



**Plastic plug**  
**Ø6x25mm**  
( Ø0.24x0.98in )

- 1) As shown in the drawing above, mark 4 holes onto the seat with these two brackets as reference.
- 2) Drill 4 holes into the seat and insert plastic plugs into the holes.
- 3) Fix the antenna with tapping screw ST4.2X25 as shown above.

**Note:** Cable min. bending radius: 40mm

© Copyright 2020 CommScope, Inc.

All rights reserved.

All information contained in this manual has been revised thoroughly. Yet CommScope accepts no liability for any omissions or faults.

CommScope reserves the right to change all hardware and software characteristics without notice.

Names of products mentioned herein are used for identification purposes only and may be trademarks and / or registered trademarks of their respective companies.

No parts of this publication may be reproduced, stored in a retrieval system, transmitted in any form or by any means, electronic, mechanical photocopying, recording or otherwise, without prior written permission of the publisher.

CommScope, 04-May-2020