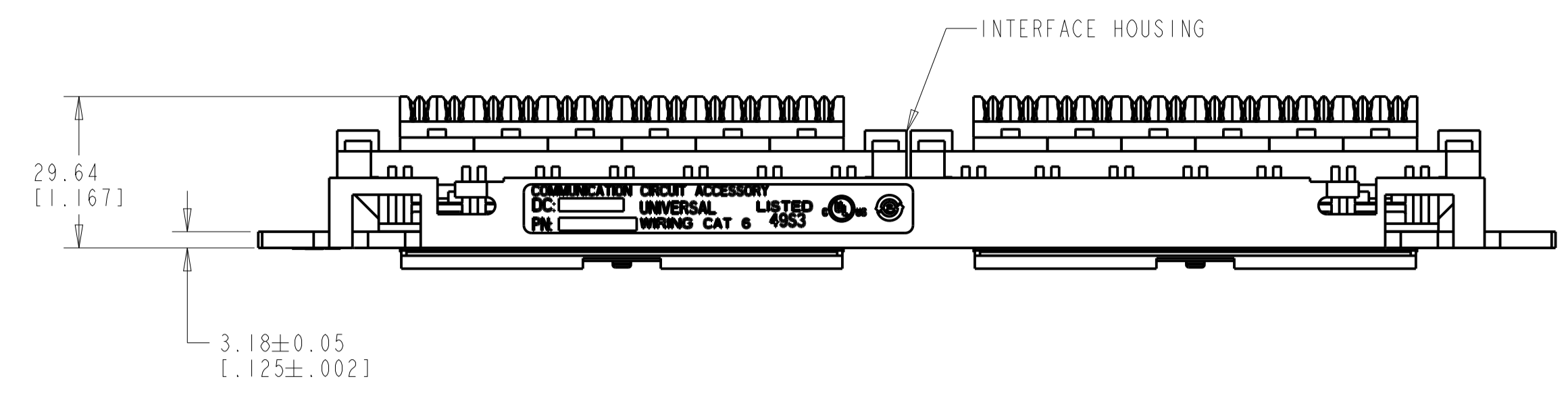
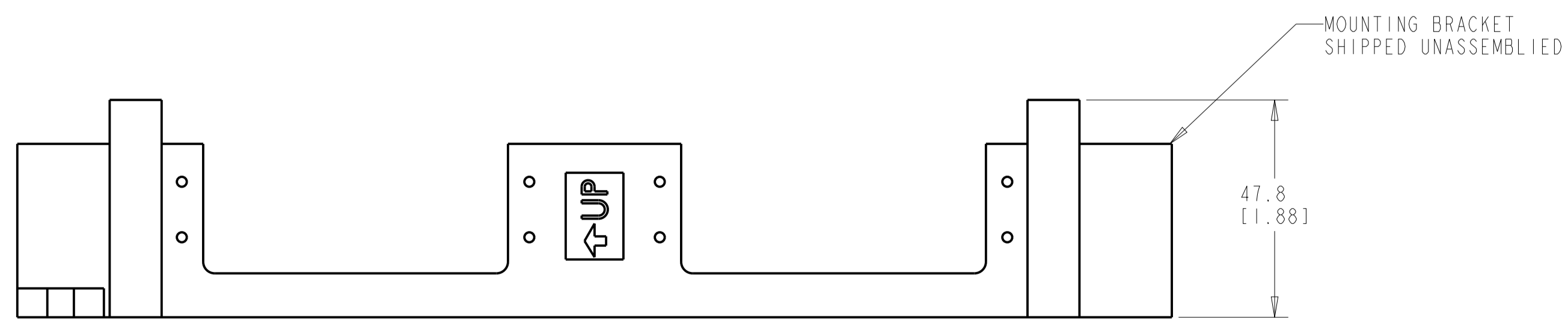
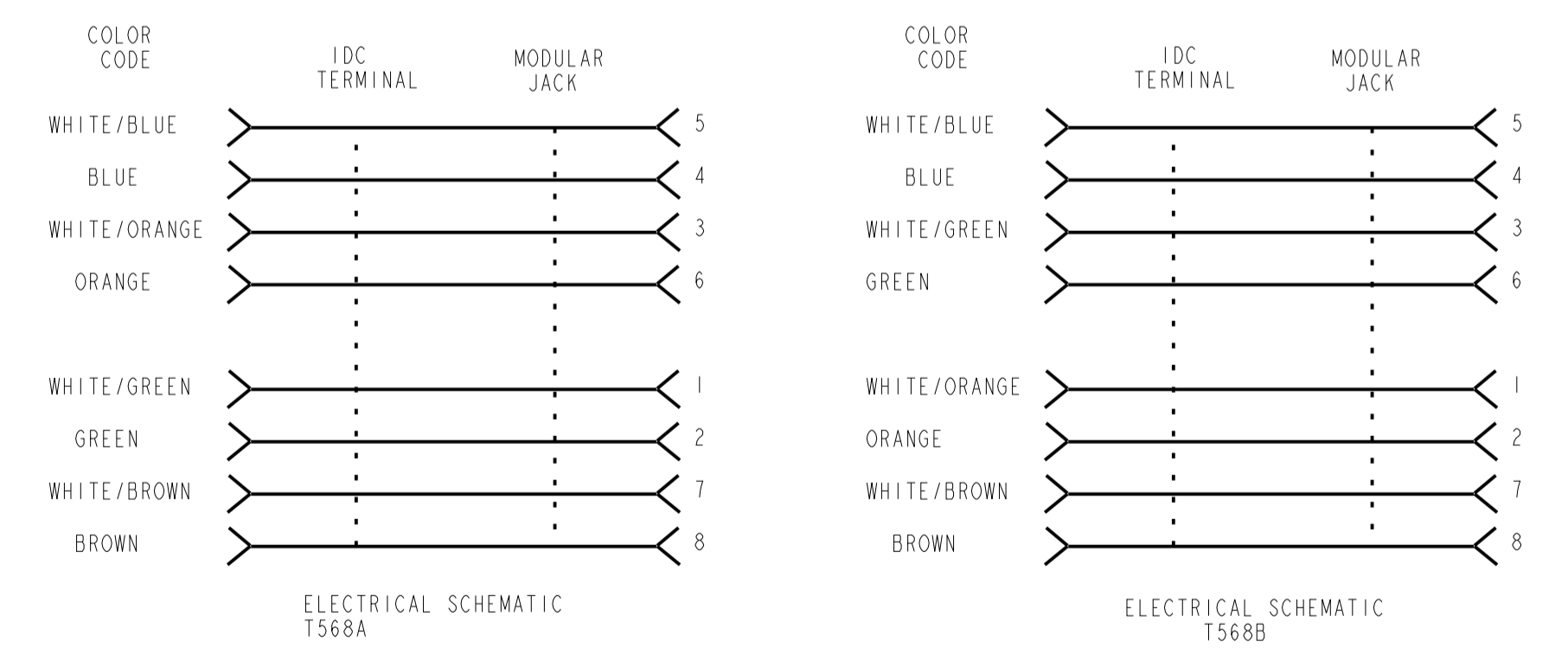
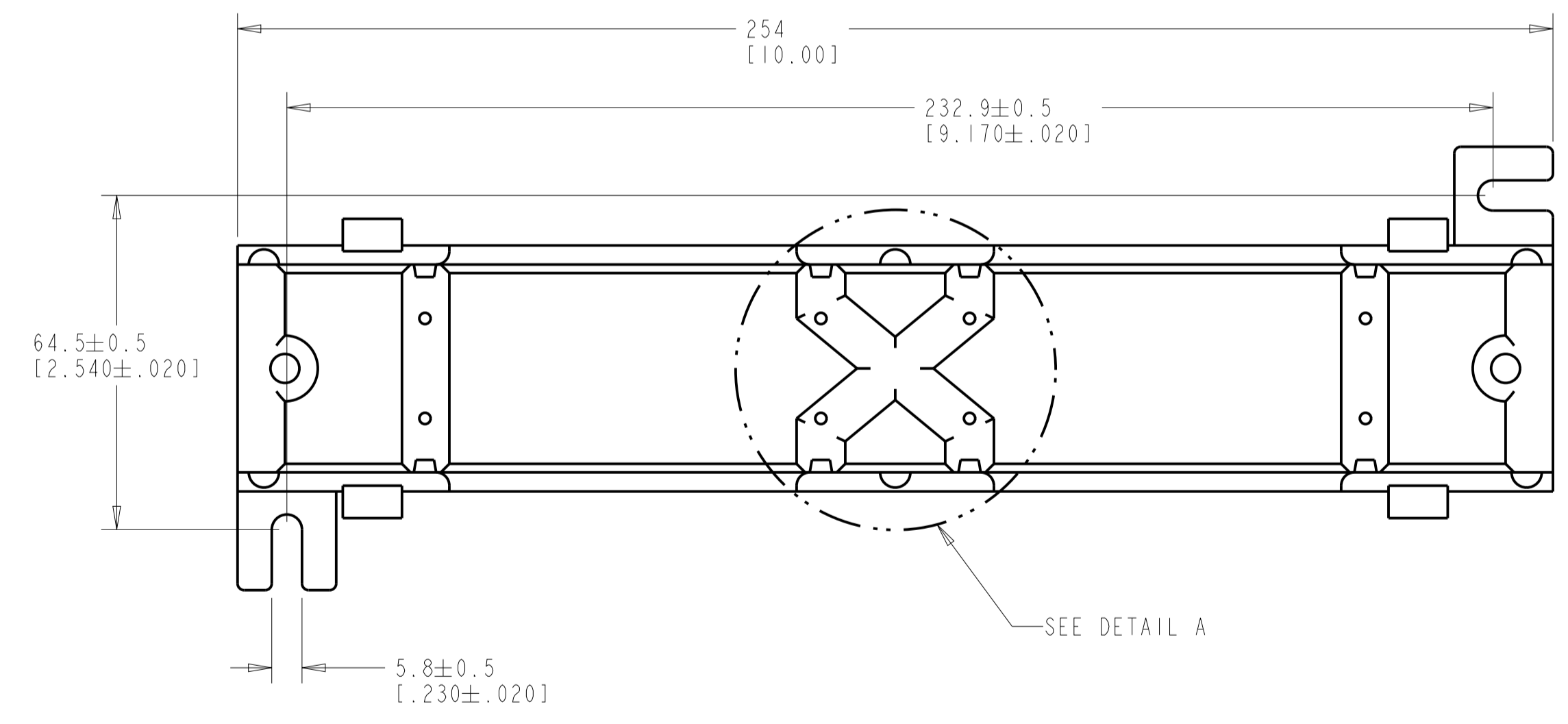
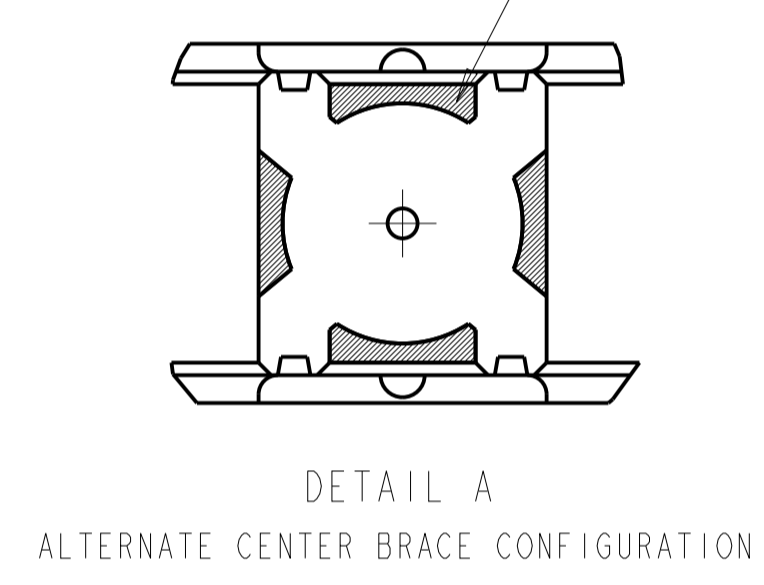
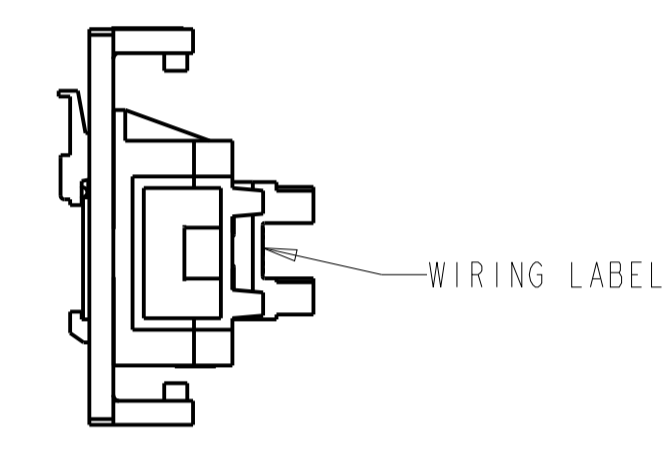
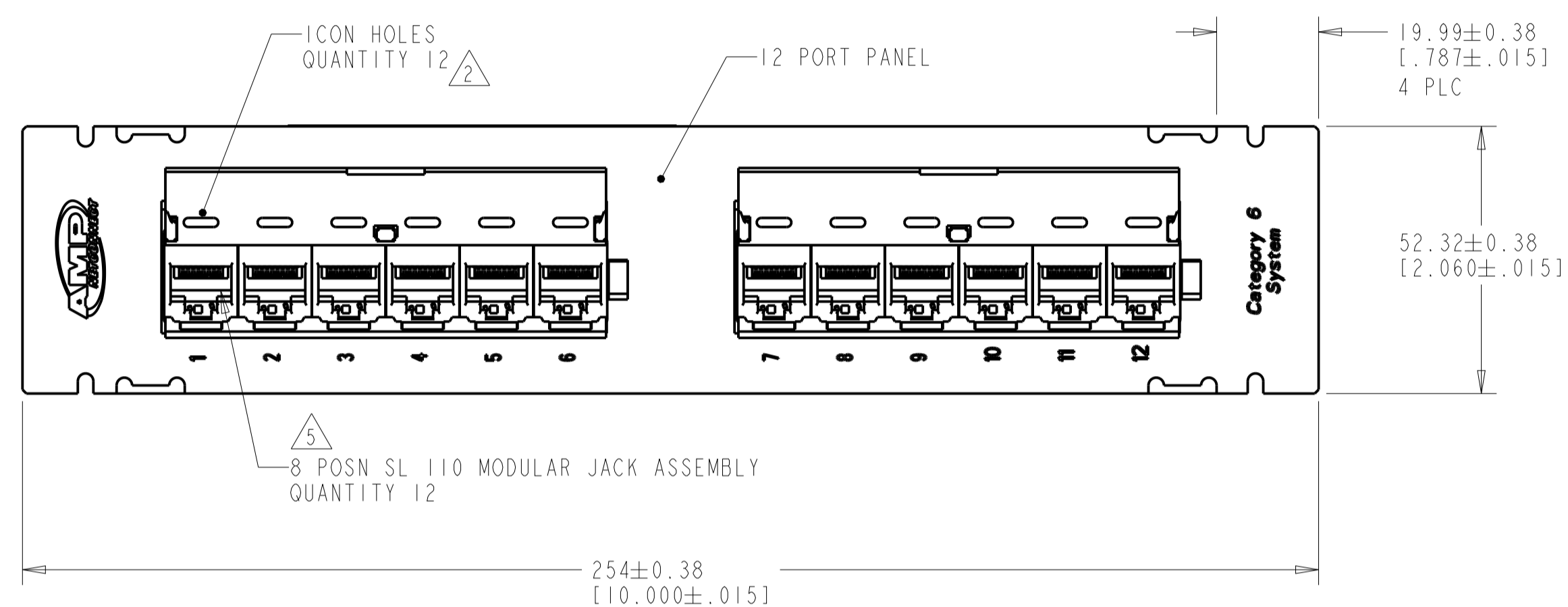


REVISIONS				
REV	LTN	DESCRIPTION	DATE	APP'D
E		REV: ECO-06-024784	23OCT2006	GG SH
F		ECO-06-025594	30JAN2007	JM SH
G		REV PER BNS_CD_BRAND	09FEB2017	GG DC



- 1 MATERIAL:
CONNECTOR HOUSING, INTERFACE: POLYESTER MOLDING COMPOUND, BLACK.
MOUNTING BRACKET: POLYCARBONATE, WHITE.
PANEL: BLACK POWDER COAT ALUMINUM WITH WHITE MARKINGS.
- 2 ICONS MAY BE PURCHASED SEPARATELY.
- 3. TWO WIRE TIES AND ONE MOUNTING BRACKET FOR INSTALLATION OF 12 PORT PANEL ASSEMBLY ARE SHIPPED LOOSE. WIRE TIES NOT SHOWN ON DRAWING.
- 4. ONE SHEET OF BEZEL LABELS AND ONE SHEET OF CLEAR COVERS SHIPPED LOOSE. BEZEL LABELS AND COVERS NOT SHOWN ON DRAWING.
- 5 JACKS SHOWN AS LOADED BUT SHIPPED LOOSE IN POLYBAG.



1375013-2
PART NO

THIS DRAWING IS A CONTROLLED DOCUMENT.		OWN T. PITTS 04APRO1	COMMSCOPE, INC. BRACKET, MOUNTING CAT6, 110, UNIVERSAL WIRING
DIMENSIONS: MM [INCHES]		CHK L. SMITH 04APRO1	
TOLERANCES UNLESS OTHERWISE SPECIFIED:		APVD S. HERNDON 04APRO1	NAME
0 PLC ±	1 PLC ±	PRODUCT SPEC	SIZE CAGE CODE DRAWING NO
2 PLC ±	3 PLC ±	APPLICATION SPEC	RESTRICTED TO
4 PLC ±	ANGLES ±	WEIGHT	A1 C=1375013
MATERIAL	FINISH	CUSTOMER DRAWING	SCALE 1:1 SHEET 1 OF 1 REV G