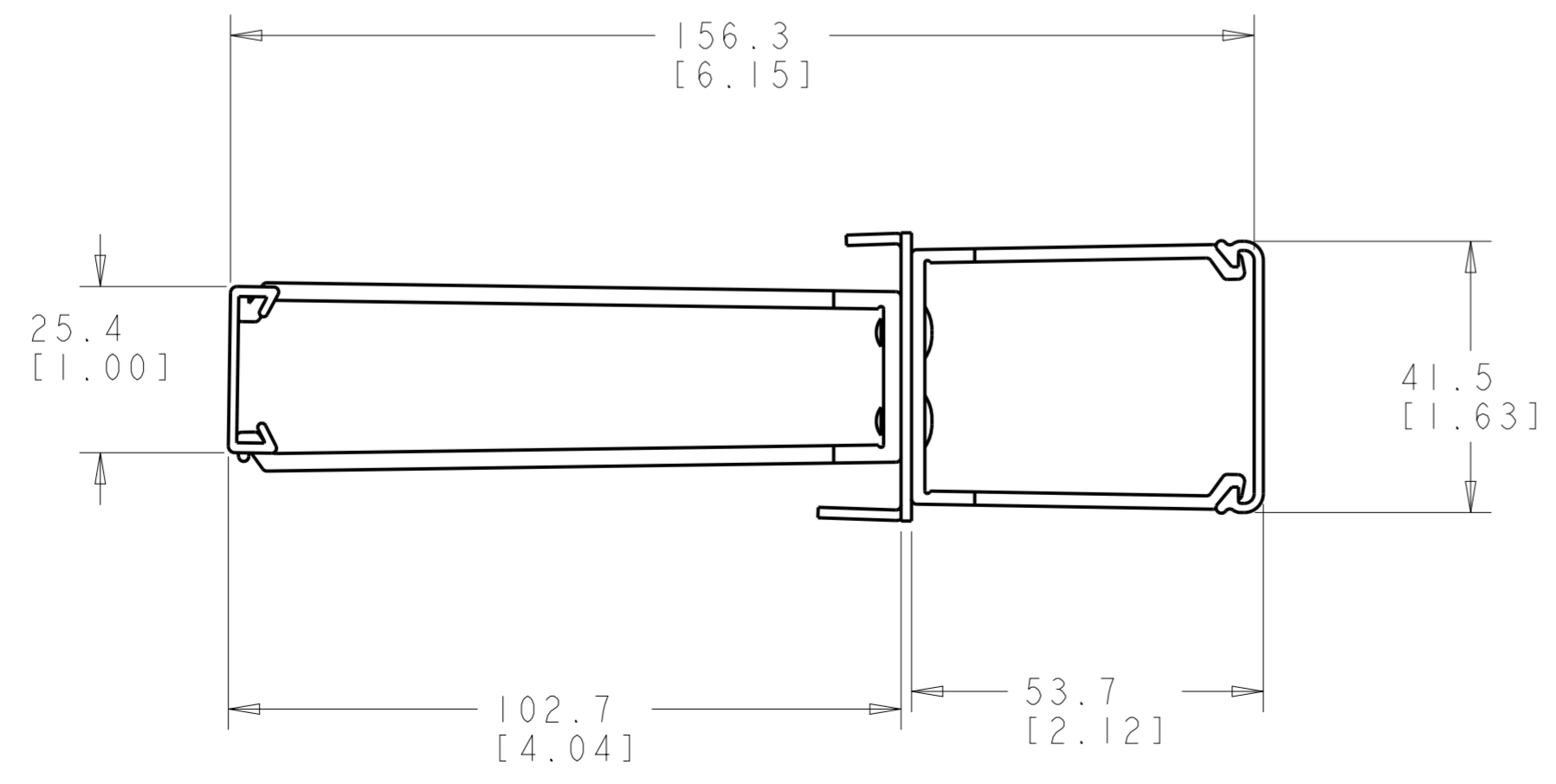
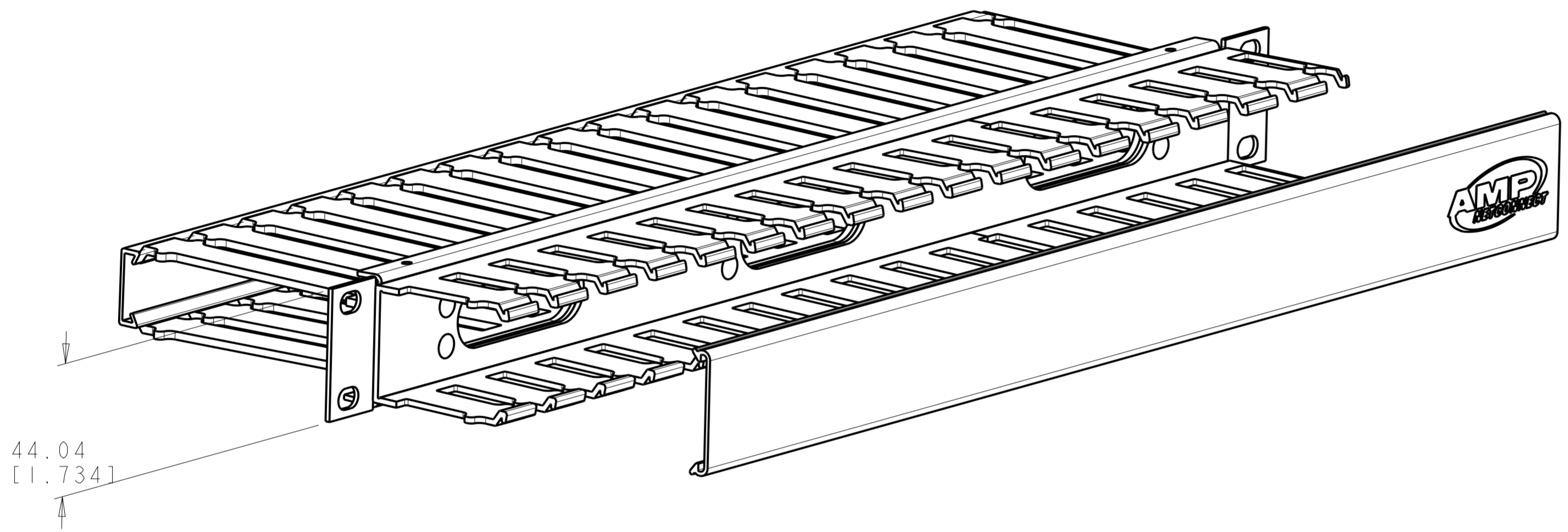


THIS DRAWING IS UNPUBLISHED. RELEASED FOR PUBLICATION
 © 2016 COMMSCOPE, INC. CONFIDENTIAL NOTICE: THESE DRAWINGS AND SPECIFICATIONS ARE THE PROPRIETARY PROPERTY OF COMMSCOPE, INC. AND MAY BE USED ONLY FOR THE SPECIFIC PURPOSE AUTHORIZED IN WRITING BY COMMSCOPE, INC.

REVISIONS				
P	LTR	DESCRIPTION	DATE	APVD
0		RELEASED; NPR NSD 00-047	28JUL2000	GG SH
A		REV; EC 0B40-0312-01	04DEC01	GG SH
B		REV; ECO-10-002359	04FEB2010	GG SH
C		REV PER BNS_CD_BRAND	09FEB2017	GG DC

- 1. MATERIAL: MATERIAL: ASSEMBLY - BLACK POWDER COAT CARBON STEEL, AND PVC, BLACK, MATTE FINISH.
- 2. ALL DIMENSIONS ARE NOMINAL UNLESS OTHERWISE NOTED.



511.18 [20.125]	1375160-2
438.15 [17.25]	1375160-1
FRONT COVER LENGTH	PART NUMBER

THIS DRAWING IS A CONTROLLED DOCUMENT.		DWN G. GARRETT 28JUL2000	COMMSCOPE, INC.	
DIMENSIONS: MM [INCH]		CHK S. HERNDON 28JUL2000		
TOLERANCES UNLESS OTHERWISE SPECIFIED:		APVD B. DAVIS 28JUL2000		
0 PLC ±	1 PLC ±	2 PLC ±	NAME PANEL, CABLE MANAGEMENT, 1.75 D, FRONT AND REAR	
3 PLC ±	4 PLC ±	ANGLES ±	SIZE A2	
MATERIAL -	FINISH -	PRODUCT SPEC -	CAGE CODE C-1375160	
CUSTOMER DRAWING		APPLICATION SPEC -	DRAWING NO. 1375160	
		WEIGHT -	RESTRICTED TO -	
		SCALE 1:1	SHEET 1 OF 1 REV C	