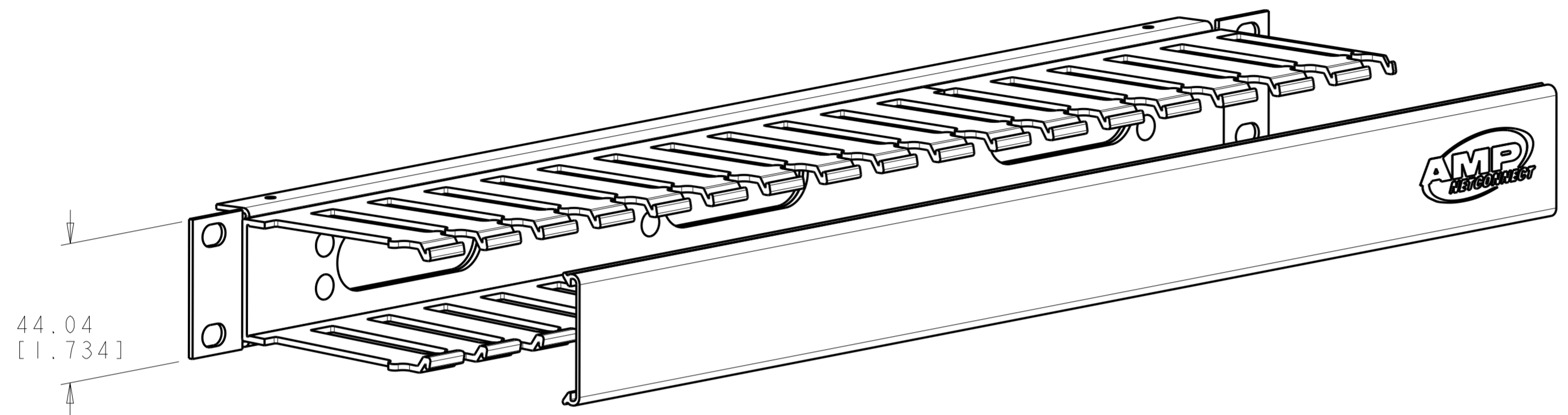
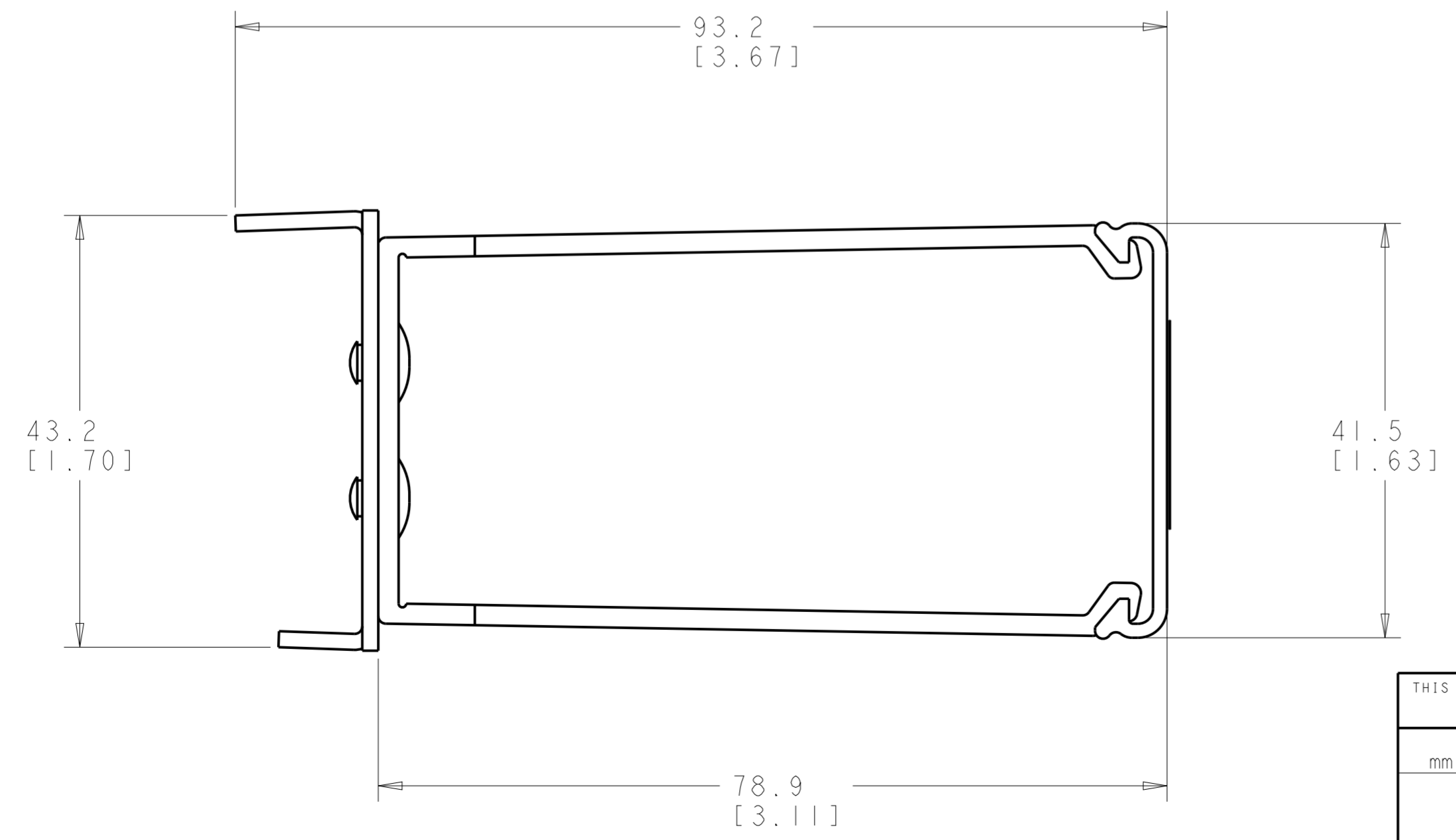


THIS DRAWING IS UNPUBLISHED. RELEASED FOR PUBLICATION
 © 2016 COMMScope, INC. CONFIDENTIAL NOTICE: THESE DRAWINGS AND SPECIFICATIONS ARE THE PROPRIETARY PROPERTY OF COMMScope, INC. AND MAY BE USED ONLY FOR THE SPECIFIC PURPOSE AUTHORIZED IN WRITING BY COMMScope, INC.

REVISIONS				
P	LTR	DESCRIPTION	DATE	APVD
0		RELEASED; NPR NSD 00-047	31 JUL 2000	GG SH
A		REV; EC 0B40-0312-01	05 DEC 01	GG SH
B		REV; ECO-10-002359	04 FEB 2010	GG SH
C		REV PER BNS_CD_BRAND	09 FEB 2017	GG DC



- 1. MATERIAL: MATERIAL: ASSEMBLY - BLACK POWDER COAT CARBON STEEL, AND PVC, BLACK, MATTE FINISH.
- 2. ALL DIMENSIONS ARE NOMINAL UNLESS OTHERWISE NOTED.



511.18 [20.125]	1375162-2
438.15 [17.25]	1375162-1
COVER LENGTH	PART NUMBER

THIS DRAWING IS A CONTROLLED DOCUMENT.		DWN G. GARRETT 31 JUL 2000	COMMScope, INC.	
DIMENSIONS: mm [INCHES]		CHK S. HERNDON 31 JUL 2000		
TOLERANCES UNLESS OTHERWISE SPECIFIED:		APVD B. DAVIS 31 JUL 2000		
0 PLC ±	1 PLC ±	2 PLC ±	NAME PANEL, CABLE MANAGEMENT, 1.75 D	
3 PLC ±	4 PLC ±	ANGLES ±	SIZE A2	
MATERIAL -	FINISH -	FINISH -	DRAWING NO. C-1375162	
CUSTOMER DRAWING		WEIGHT -	RESTRICTED TO -	
		SCALE 2:1	SHEET 1 OF 1 REV C	