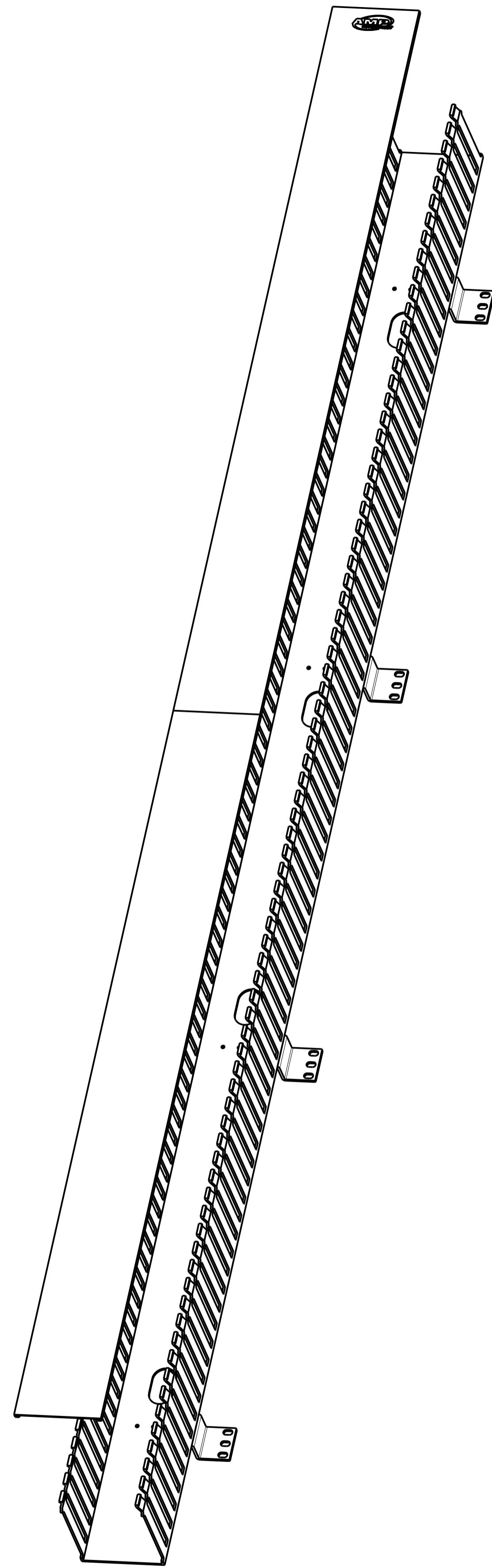
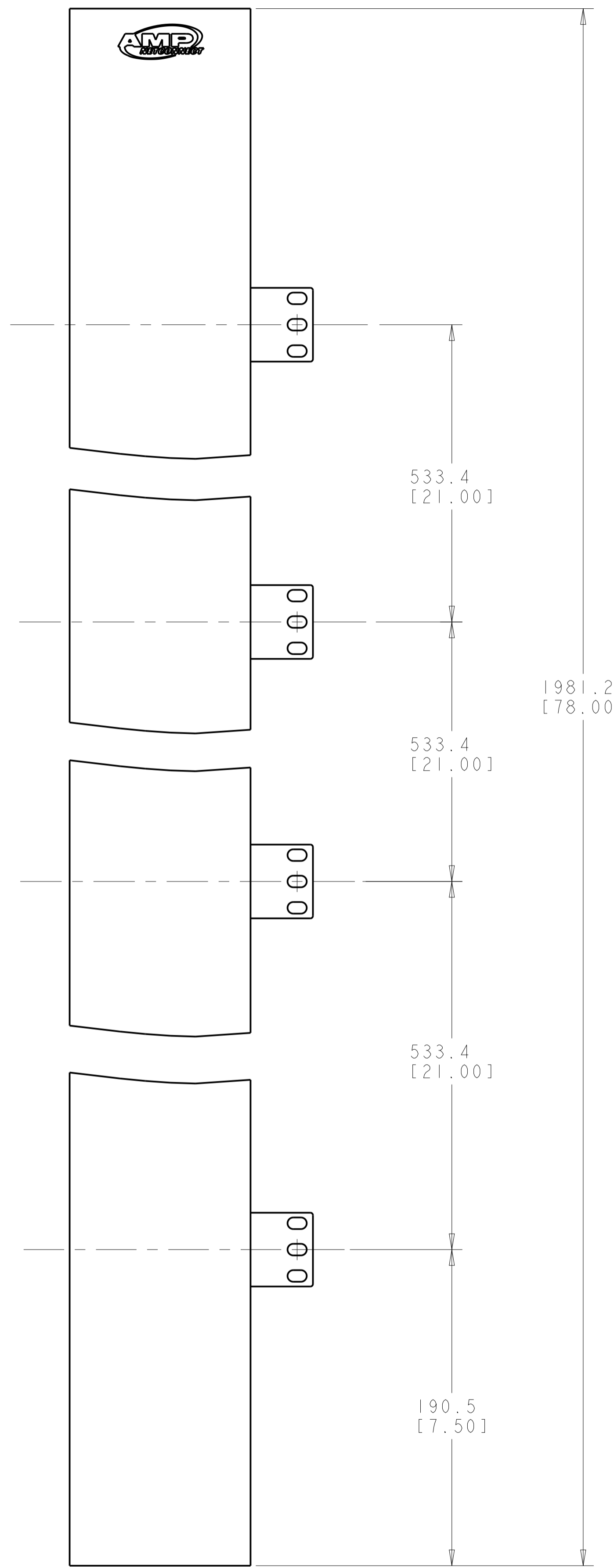
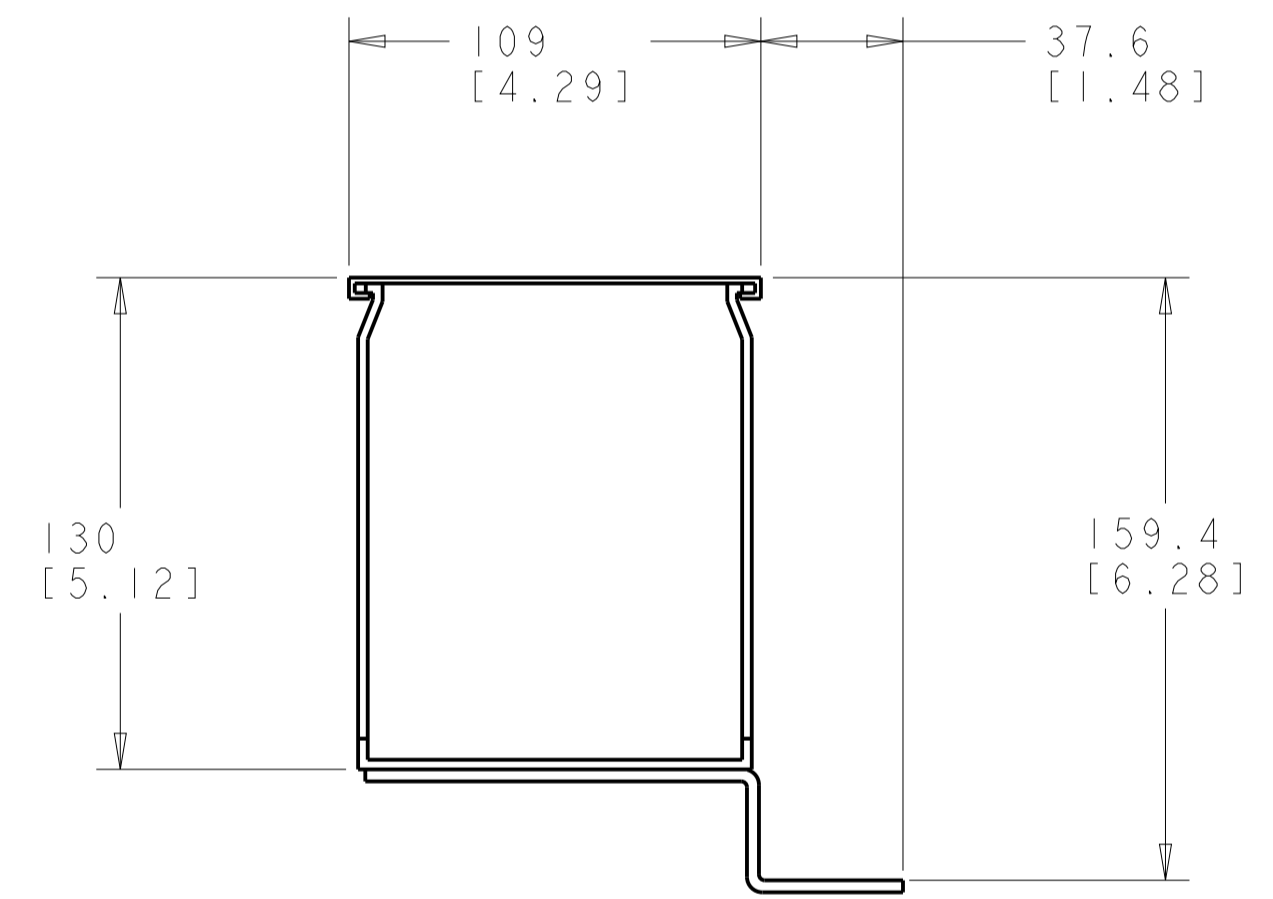


REVISIONS				
REV	LTN	DESCRIPTION	DATE	APVD
D		REV BNS_CD_BRAND	10FEB2017	GG DC



- △ MATERIAL: ASSEMBLY - POWDER COATED ALUMINUM, AND PVC, BLACK, MATTE FINISH.
2. ALL DIMENSIONS ARE NOMINAL UNLESS OTHERWISE NOTED.



1375258-1  
PART NUMBER

THIS DRAWING IS A CONTROLLED DOCUMENT.		DWN L. SMITH 05OCT2000	<b>COMMSCOPE, INC.</b>
DIMENSIONS: MM [INCH]		CHK S. HERNDON 05OCT2000	
TOLERANCES UNLESS OTHERWISE SPECIFIED:		APVD T. COLEMAN 05OCT2000	NAME PANEL, VERT. CABLE MANAGEMENT, 78 INCH
0 PLC ±	1 PLC ±	PRODUCT SPEC	SIZE A1
2 PLC ±	3 PLC ±	APPLICATION SPEC	CAGE CODE DRAWING NO. C=1375258
4 PLC ±	ANGLES ±	WEIGHT	RESTRICTED TO
MATERIAL	FINISH	CUSTOMER DRAWING	SCALE 1:2 SHEET 1 OF 1 REV D