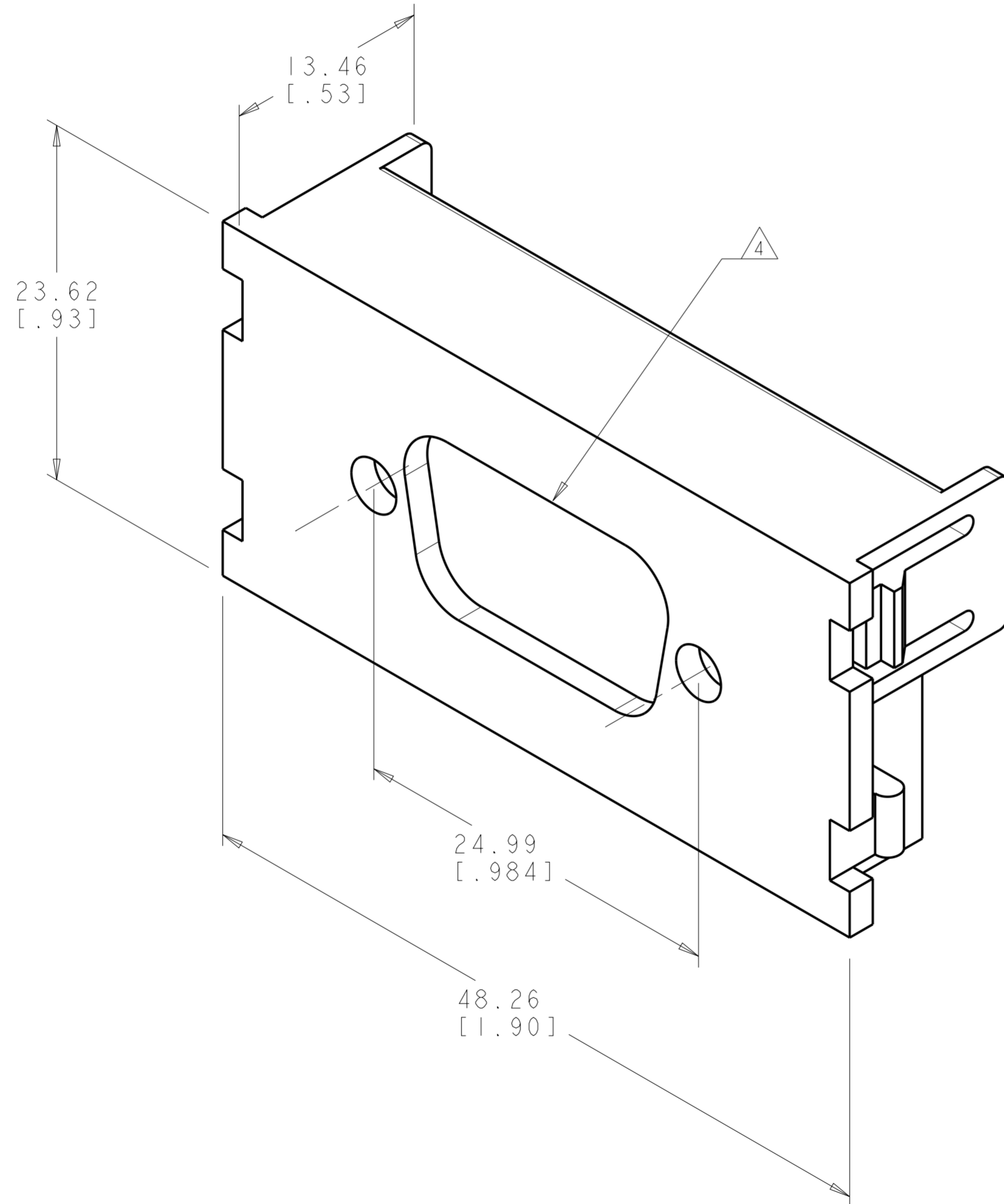


THIS DRAWING IS UNPUBLISHED. RELEASED FOR PUBLICATION
 © 2016 COMMSCOPE, INC. CONFIDENTIAL NOTICE: THESE DRAWINGS AND SPECIFICATIONS ARE THE PROPRIETARY PROPERTY OF COMMSCOPE, INC. AND MAY BE USED ONLY FOR THE SPECIFIC PURPOSE AUTHORIZED IN WRITING BY COMMSCOPE, INC.

REVISIONS				
P	LTR	DESCRIPTION	DATE	APVD
A		REV; ECO-13-019929	19DEC2013	GG RA
B		REV; ECO-15-004538	19MAY2015	GG RA
C		REV; 40023388MCO	20JULY2015	GG RA
D		REV BNS_CD_BRAND	10FEB2017	GG DC



- 1. MATERIAL:
MODULE: ABS MOLDING COMPOUND.
SEE TABLE FOR COLOR.
- 2. DIMENSIONS ARE NOMINAL UNLESS OTHERWISE SPECIFIED.
- 3. REFER TO INSTRUCTION SHEET 408-8398 FOR INSTALLATION PROCEDURES.
- 4. MOUNTING CUTOUT FOR HDI5 SUBMINATURE D CONNECTOR.

ALPINE WHITE	1-1479079-3
BLACK	1479079-2
LT ALMOND	1479079-1
COLOR	PART NUMBER

DIMENSIONS:		TOLERANCES UNLESS OTHERWISE SPECIFIED:		DWN		CHK		APVD		NAME	
MM	[INCHES]	0 PLC	±	L	HALL	15NOV01	G	BOWMAN	15NOV01	COMMSCOPE, INC.	
		1 PLC	±	G	BOWMAN	15NOV01 <td>G</td> <td>BOWMAN</td> <td>15NOV01 <td colspan="2">MODULE, 1 UNIT, SVGA 15 PIN, SL SERIES</td> </td>	G	BOWMAN	15NOV01 <td colspan="2">MODULE, 1 UNIT, SVGA 15 PIN, SL SERIES</td>	MODULE, 1 UNIT, SVGA 15 PIN, SL SERIES	
		2 PLC	±.25	PRODUCT SPEC							
		3 PLC	±	APPLICATION SPEC							
		4 PLC	±	WEIGHT							
		ANGLES	±	Customer Drawing							
		FINISH	-	SCALE		4:1		SHEET		OF	
			-							REV D	