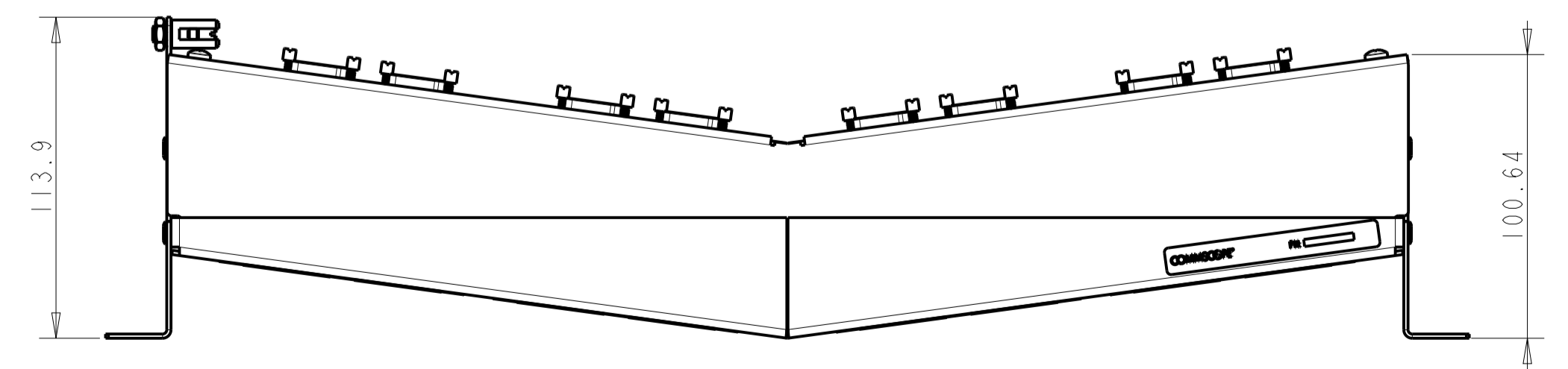
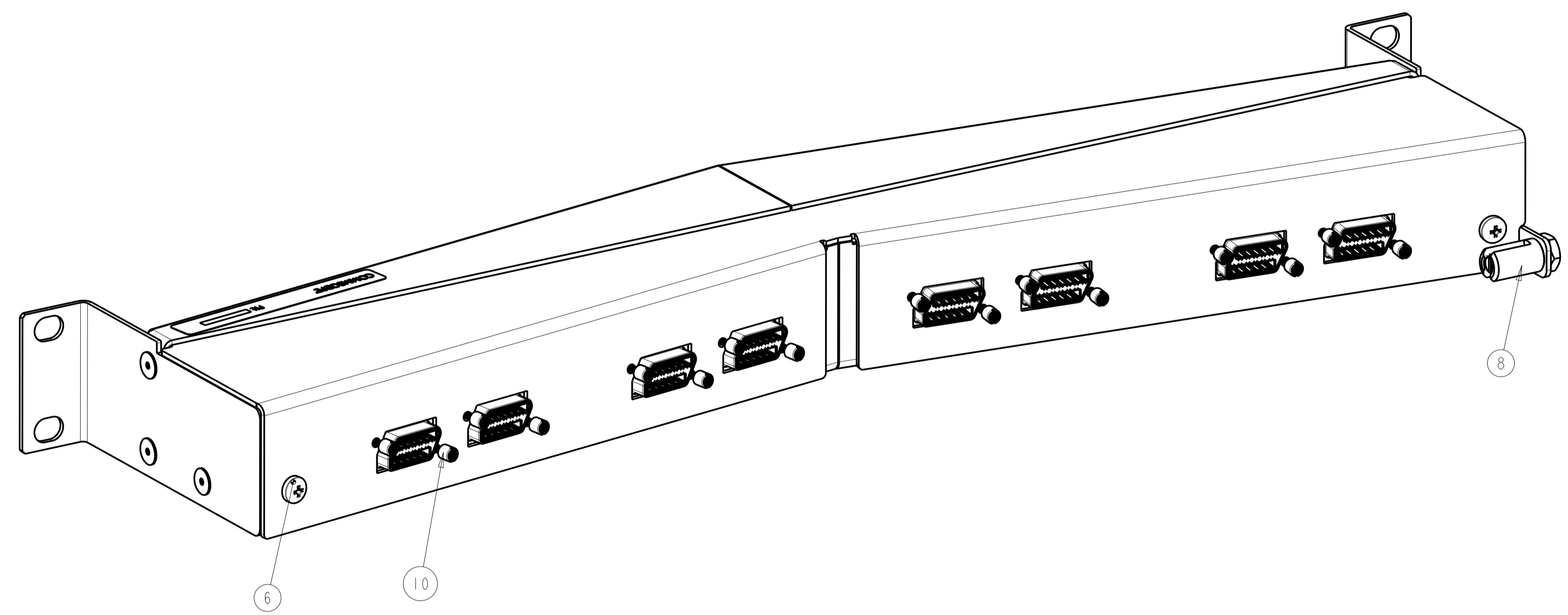
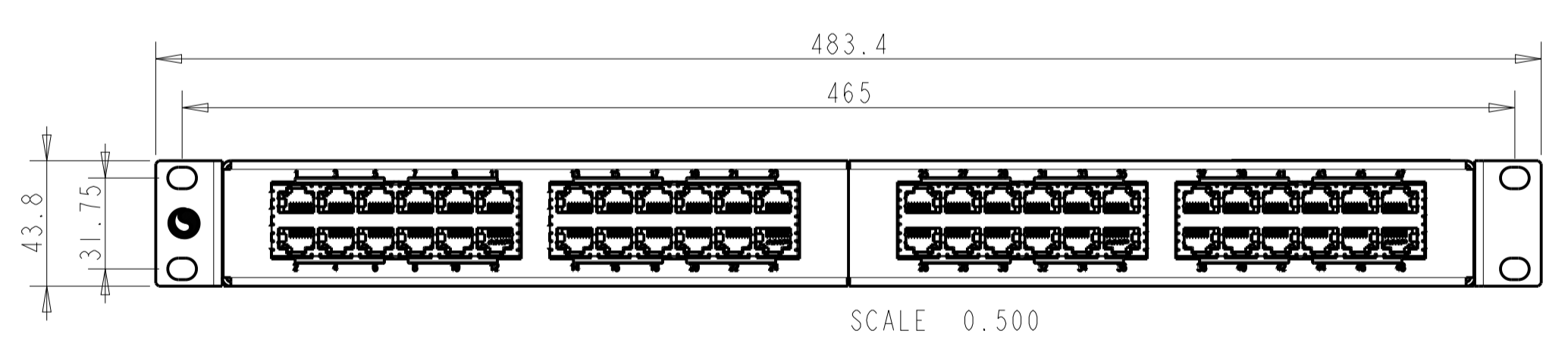
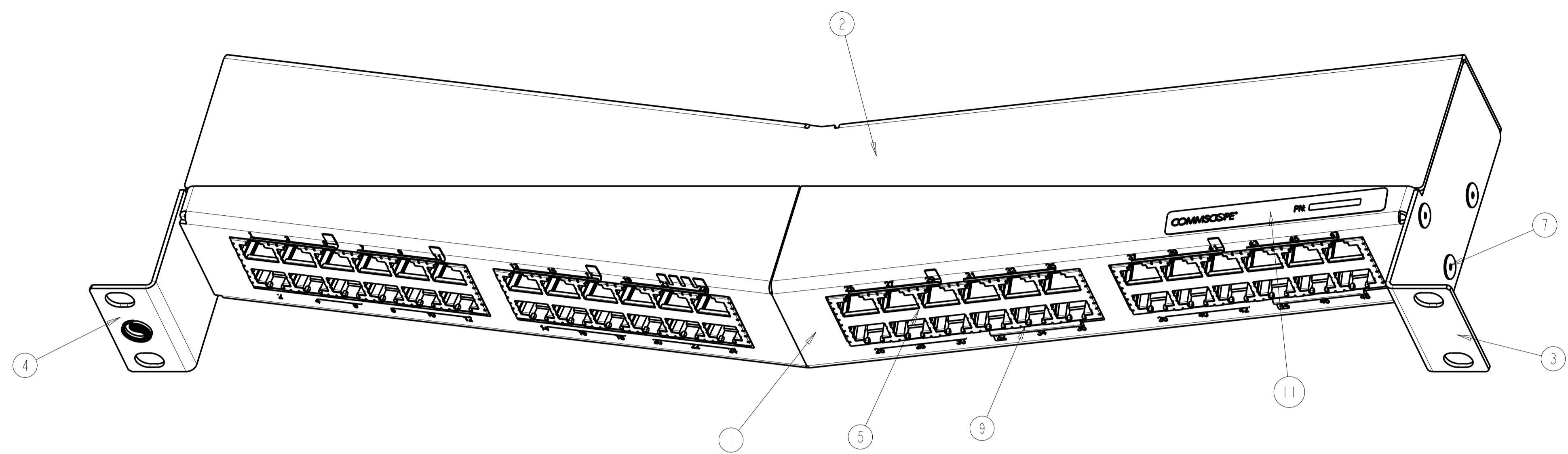


REVISIONS				
REV	LTN	DESCRIPTION	DATE	APVD
1	ECR-13-010422		09JUL2013	HB DT
AC	REV PER ECN 8000017947		20DEC2016	RCR SC



QTY	DESCRIPTION	ITEM
1	LABEL	11
16	SCREW LOCK MRJ21 RECEPTACLE	10
16	GROUNDING CLIP FOR PATCH PANEL	9
1	GROUNDING SCREW	8
6	RIVET DIA 4MMx7	7
10	SCREW DIN7985 M4x6	6
4	PCB MRJ21, 1 G1G	5
1	Hi-D MRJ21-PANEL MB LEFT	4
1	Hi-D MRJ21-PANEL MB RIGHT	3
1	Hi-D MRJ21-PANEL COVER	2
1	Hi-D MRJ21-PANEL BASE	1

THIS DRAWING IS A CONTROLLED DOCUMENT. OWN: H.BLEUS 09JUL2013  
 CHK: H.BLEUS 09JUL2013  
 APVD: D.THILIS 09JUL2013

DIMENSIONS: mm  
 TOLERANCES UNLESS OTHERWISE SPECIFIED:  
 0 PLC ±  
 2 PLC ±  
 3 PLC ±  
 4 PLC ±  
 ANGLES ±

MATERIAL: - FINISH: - WEIGHT: -

THIS DRAWING IS A CONTROLLED DOCUMENT. OWN: H.BLEUS 09JUL2013  
 CHK: H.BLEUS 09JUL2013  
 APVD: D.THILIS 09JUL2013

PRODUCT SPEC: -  
 APPLICATION SPEC: -  
 WEIGHT: -

CUSTOMER DRAWING

NAME: HI-D MRJ21-PANEL (1000BASE-T)  
 SIZE: A1 CAGE CODE: - DRAWING NO: C=1671143  
 SCALE: 1.000 SHEET 1 OF 1 REV: AC